

| SPECIFY SEAL COLOR:   |  |
|-----------------------|--|
| Black (J1D101)        |  |
| Beige (J1D102)        |  |
| Gray (J1D103)         |  |
| Off White (J1D104)    |  |
| Bright White (J1D105) |  |

## 104-A01-025 SYSTEM

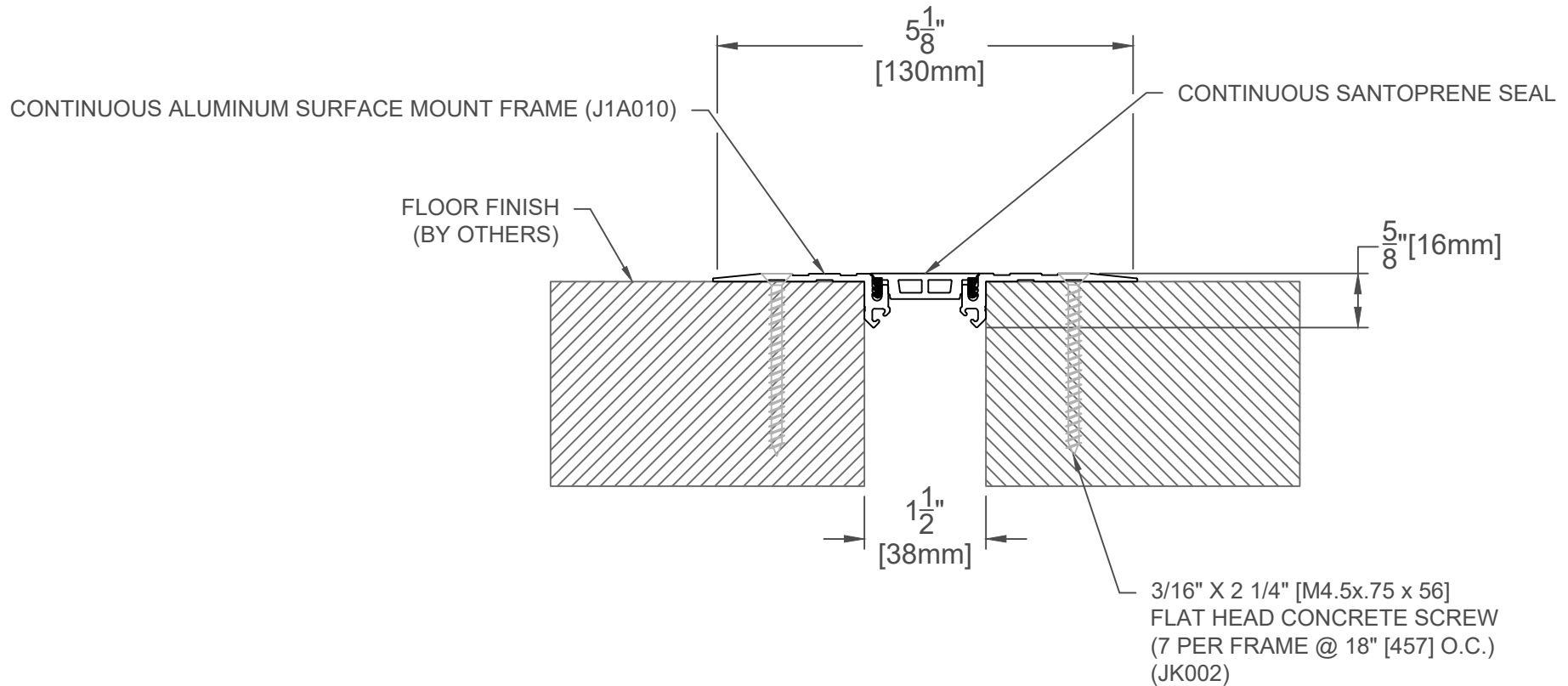
| JOINT WIDTH |    | MOVEMENT ± |    |          |    |
|-------------|----|------------|----|----------|----|
|             |    | HORIZONTAL |    | VERTICAL |    |
| US          | mm | US         | mm | US       | mm |
| 1"          | 25 | 1/4"       | 6  | 1/4"     | 6  |

|                              |
|------------------------------|
| FINISH: ALUMINUM FINISH-MILL |
| PROJECT:                     |
| CUSTOMER:                    |
| LOCATION:                    |

APPLICATION-  
SURFACE MOUNT FLOOR/FLOOR  
CONDITION

|        |              |
|--------|--------------|
| DATE:  | 02-28-17     |
| SCALE: | 1:2          |
| DOC:   | CADJM.063/R1 |

**inpro.**  
For More Information Visit: [Inprocorp.com](http://Inprocorp.com)



| SPECIFY SEAL COLOR:   |  |
|-----------------------|--|
| Black (J1D151)        |  |
| Beige (J1D152)        |  |
| Gray (J1D153)         |  |
| Off White (J1D154)    |  |
| Bright White (J1D155) |  |

## 104-A01-038 SYSTEM

| JOINT WIDTH |    | MOVEMENT ± |    |          |    |
|-------------|----|------------|----|----------|----|
|             |    | HORIZONTAL |    | VERTICAL |    |
| US          | mm | US         | mm | US       | mm |
| 1-1/2"      | 38 | 3/8"       | 10 | 3/8"     | 10 |

FINISH: ALUMINUM FINISH-MILL

PROJECT:

CUSTOMER:

LOCATION:

APPLICATION-  
SURFACE MOUNT FLOOR/FLOOR  
CONDITION

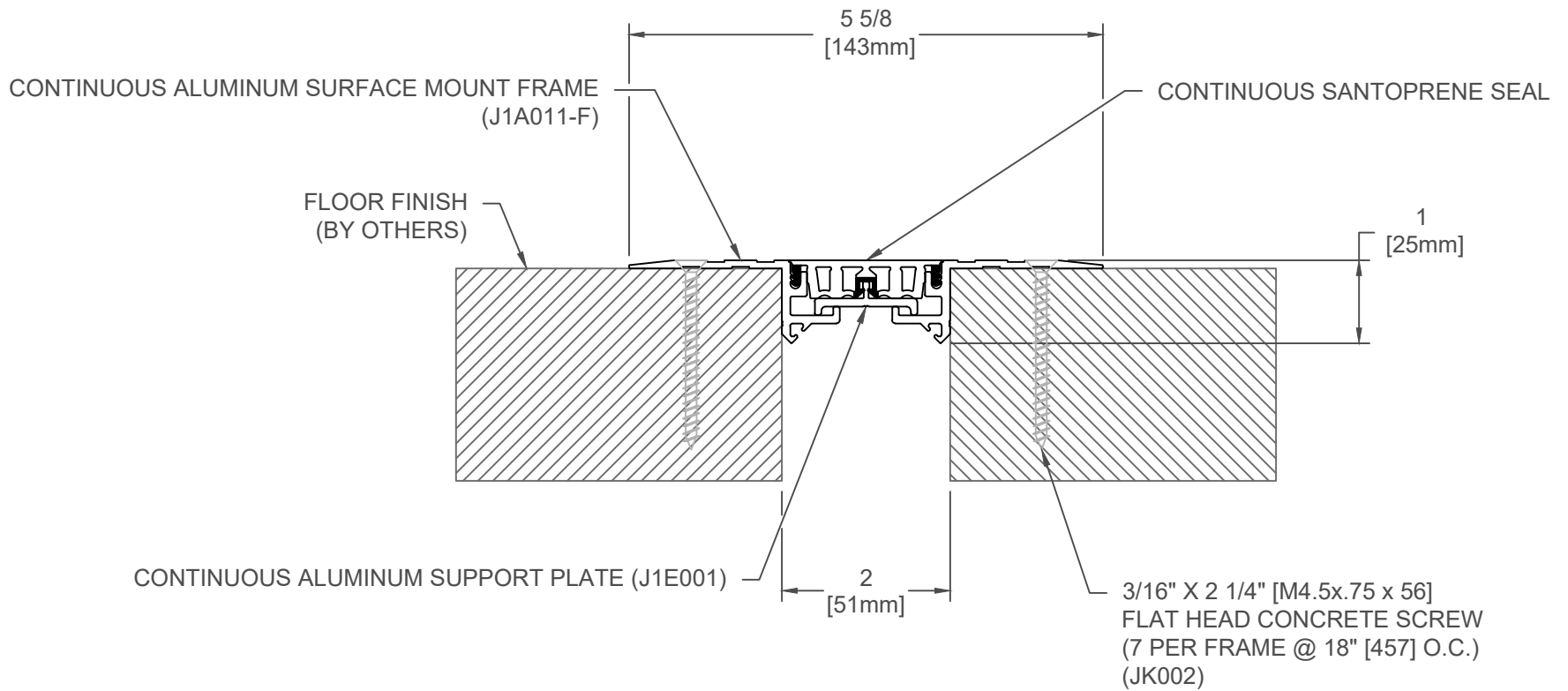
DATE: 02-28-17

SCALE: 1:2

DOC: CADJM.063/R1

**inpro.**

For More Information Visit: [Inprocorp.com](http://Inprocorp.com)



| SPECIFY SEAL COLOR:   |  |
|-----------------------|--|
| Black (J1D201)        |  |
| Beige (J1D202)        |  |
| Gray (J1D203)         |  |
| Off White (J1D204)    |  |
| Bright White (J1D205) |  |

## 104-A01-050 SYSTEM

| JOINT WIDTH |    | MOVEMENT ± |    |          |    |
|-------------|----|------------|----|----------|----|
|             |    | HORIZONTAL |    | VERTICAL |    |
| US          | mm | US         | mm | US       | mm |
| 2"          | 51 | 1/2"       | 13 | 1/2"     | 13 |

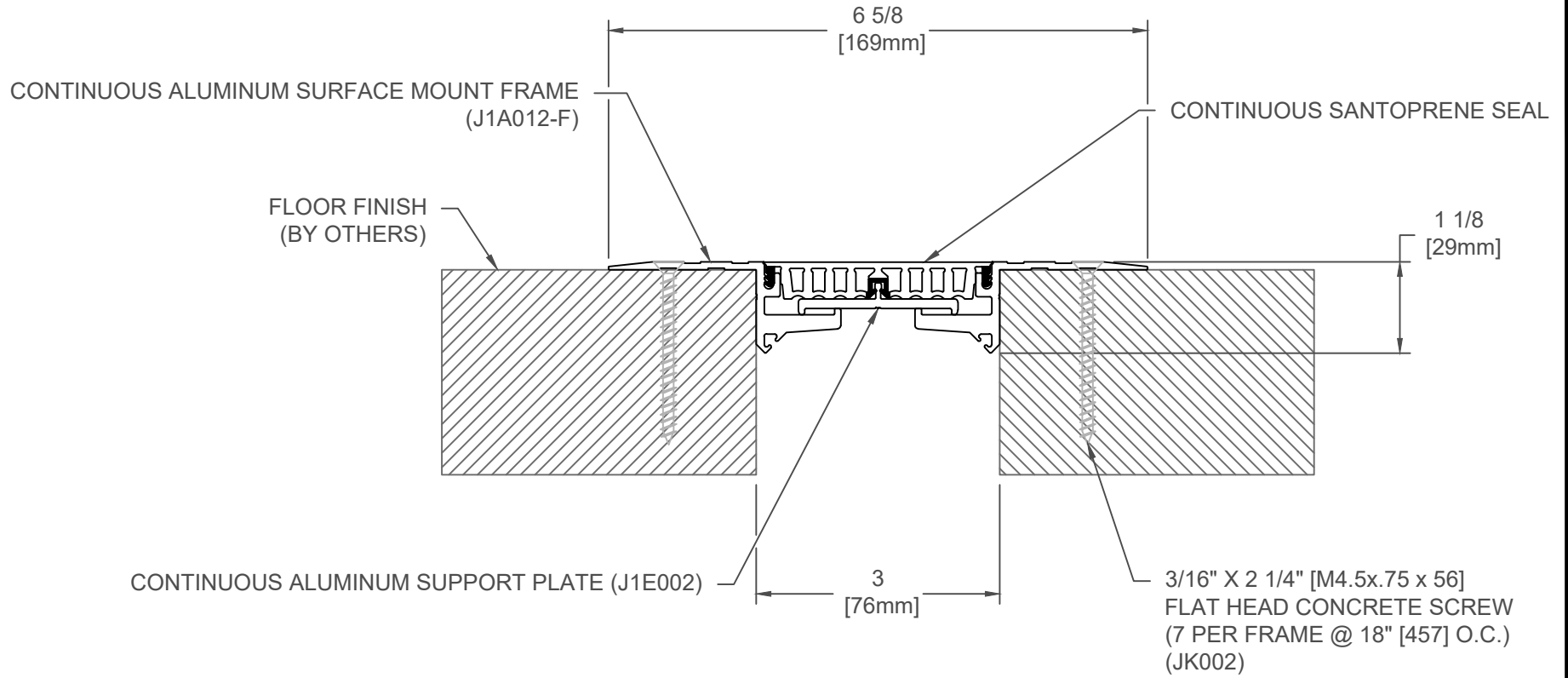
|                              |
|------------------------------|
| FINISH: ALUMINUM FINISH-MILL |
| PROJECT:                     |
| CUSTOMER:                    |
| LOCATION:                    |

|  |
|--|
| APPLICATION-<br>SURFACE MOUNT FLOOR/FLOOR<br>CONDITION |
|--|

|        |              |
|--------|--------------|
| DATE:  | 02-28-17     |
| SCALE: | 1:2          |
| DOC:   | CADJM.063/R1 |

**inpro.**

For More Information Visit: [Inprocorp.com](http://Inprocorp.com)



| SPECIFY SEAL COLOR:   |  |
|-----------------------|--|
| Black (J1D301)        |  |
| Beige (J1D302)        |  |
| Gray (J1D303)         |  |
| Off White (J1D304)    |  |
| Bright White (J1D305) |  |

## 104-A01-075 SYSTEM

| JOINT WIDTH |    | MOVEMENT ± |    |          |    |
|-------------|----|------------|----|----------|----|
|             |    | HORIZONTAL |    | VERTICAL |    |
| US          | mm | US         | mm | US       | mm |
| 3"          | 76 | 3/4"       | 19 | 3/4"     | 19 |

FINISH: ALUMINUM FINISH-MILL

PROJECT:

CUSTOMER:

LOCATION:

APPLICATION-  
SURFACE MOUNT FLOOR/FLOOR  
CONDITION

DATE: 02-28-17

SCALE: 1:2

DOC: CADJM.063/R1

**inpro.**

For More Information Visit: [Inprocorp.com](http://Inprocorp.com)