

104-A02-025 SYSTEM

SPECIFY SEAL COLOR:	
Black (J1D101)	
Beige (J1D102)	
Gray (J1D103)	
Off White (J1D104)	
Bright White (J1D105)	

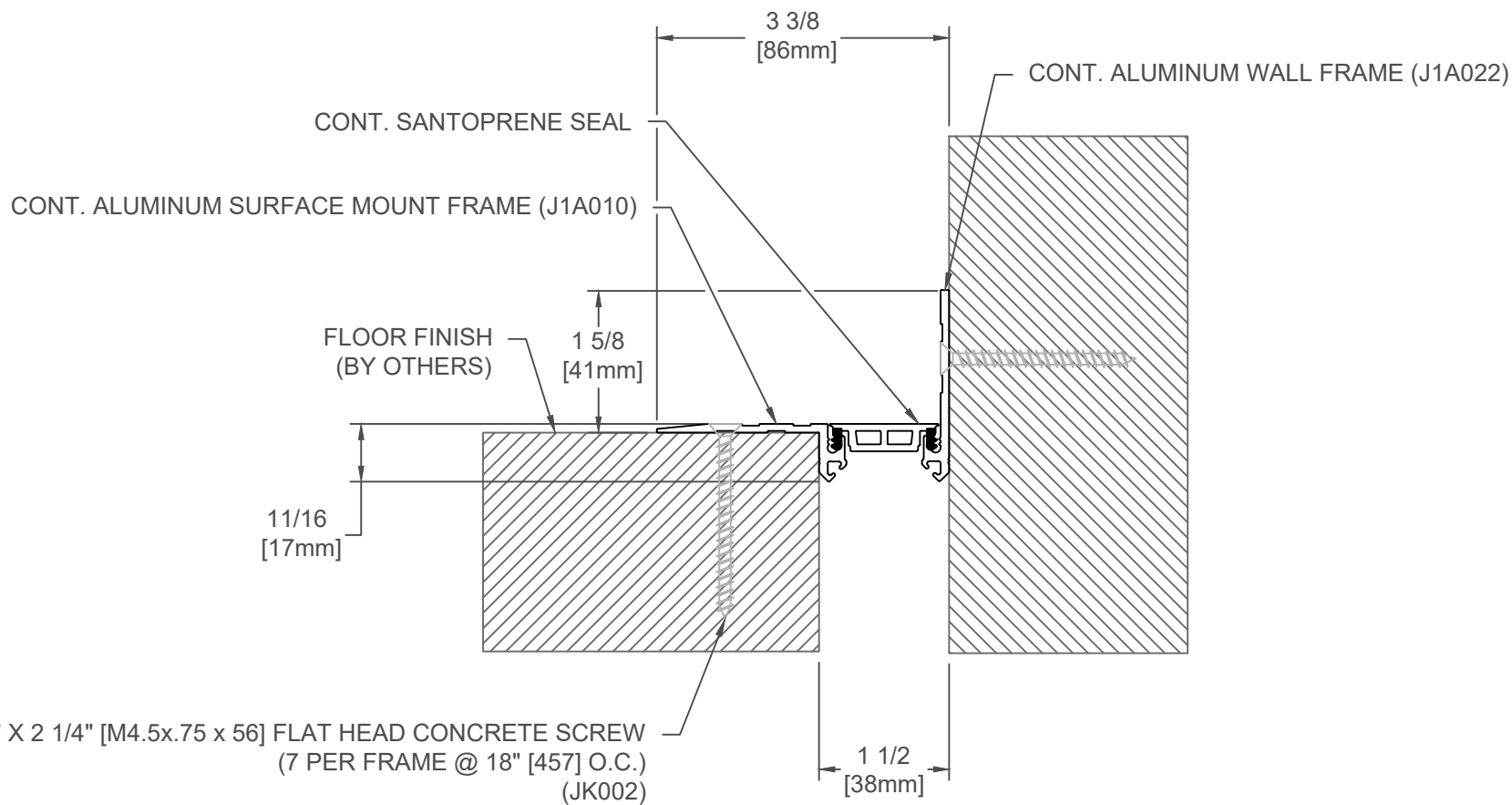
JOINT WIDTH		MOVEMENT ±			
		HORIZONTAL		VERTICAL	
US	mm	US	mm	US	mm
1"	25	1/4"	6	1/4"	6

FINISH: ALUMINUM FINISH-MILL
PROJECT:
CUSTOMER:
LOCATION:

APPLICATION-
SURFACE MOUNT FLOOR/WALL
CONDITION

DATE:	02-28-17
SCALE:	1:2
DOCADJM.064/Rev1	





104-A02-038 SYSTEM

SPECIFY SEAL COLOR:	
Black (J1D151)	
Beige (J1D152)	
Gray (J1D153)	
Off White (J1D154)	
Bright White (J1D155)	

JOINT WIDTH		MOVEMENT ±			
		HORIZONTAL		VERTICAL	
US	mm	US	mm	US	mm
1-1/2"	38	3/8"	10	3/8"	10

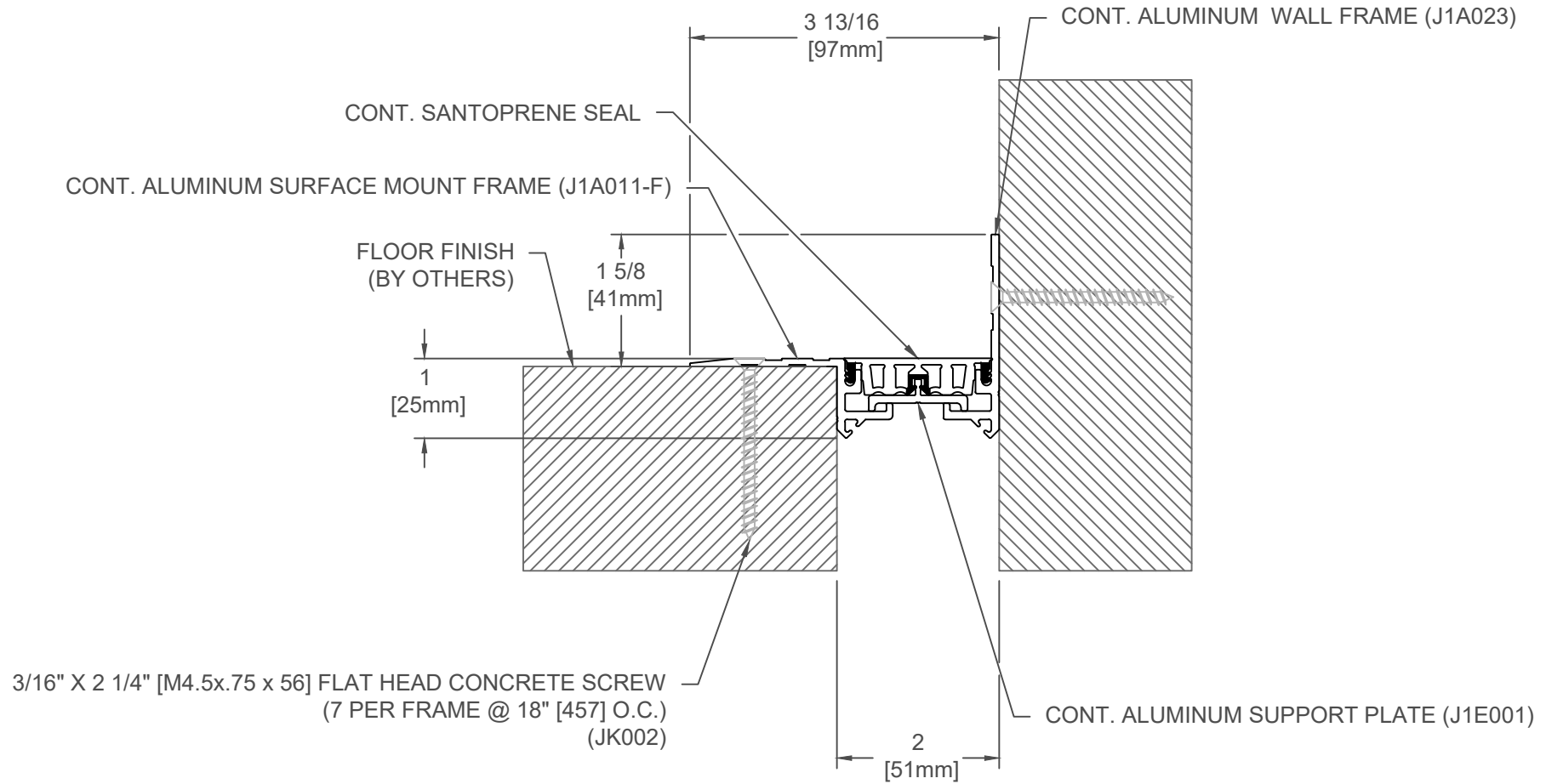
FINISH: ALUMINUM FINISH-MILL
PROJECT:
CUSTOMER:
LOCATION:

APPLICATION-
SURFACE MOUNT FLOOR/WALL
CONDITION

DATE:	02-28-17
SCALE:	1:2
DOCADJM.064/Rev1	

inpro.

For More Information Visit: Inprocorp.com



104-A02-050 SYSTEM

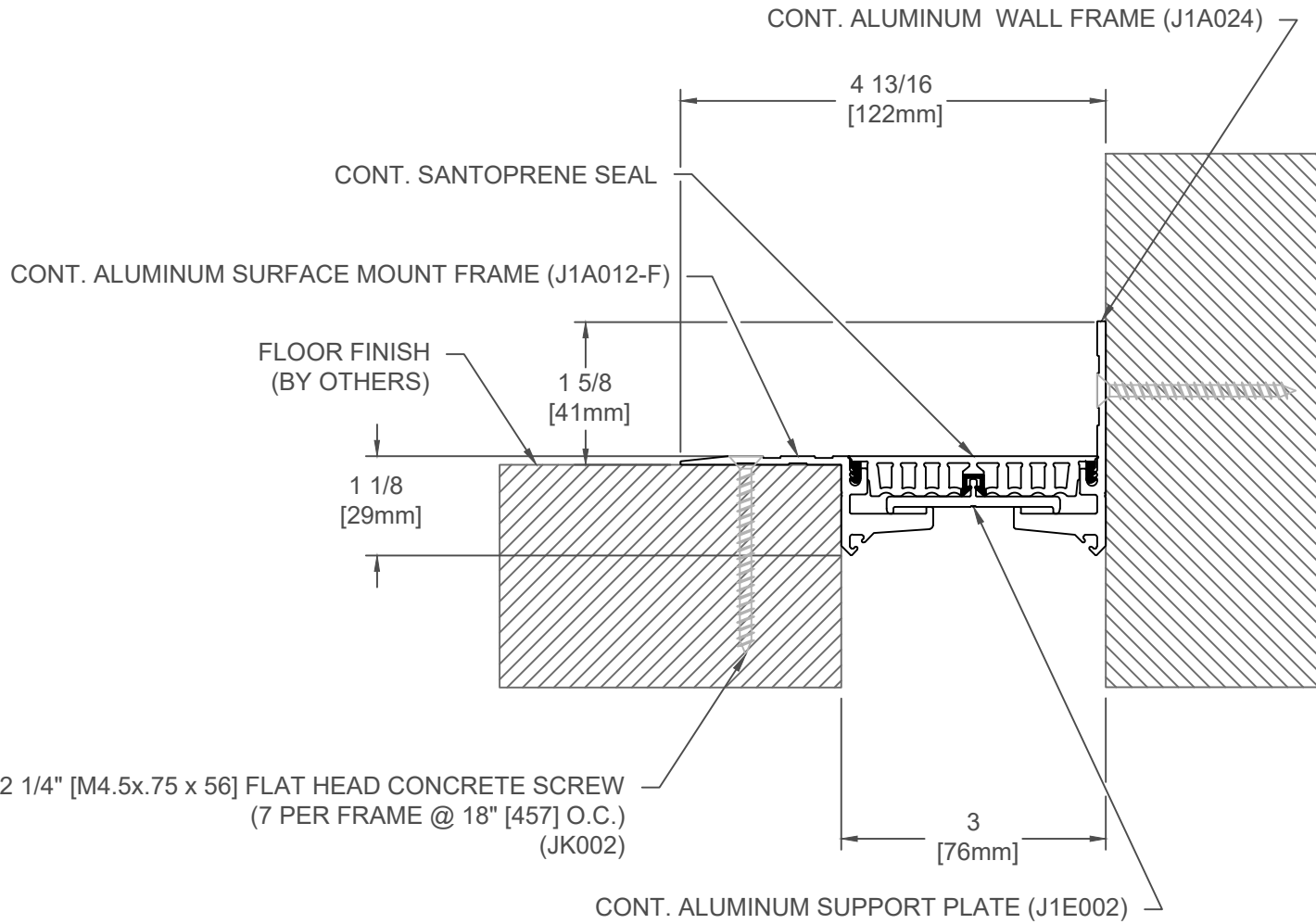
SPECIFY SEAL COLOR:	
Black (J1D201)	
Beige (J1D202)	
Gray (J1D203)	
Off White (J1D204)	
Bright White (J1D205)	

JOINT WIDTH		MOVEMENT ±			
		HORIZONTAL		VERTICAL	
US	mm	US	mm	US	mm
2"	51	1/2"	13	1/2"	13

FINISH: ALUMINUM FINISH-MILL
PROJECT:
CUSTOMER:
LOCATION:

APPLICATION-
SURFACE MOUNT FLOOR/WALL
CONDITION

DATE:	02-28-17
SCALE:	1:2
DOCADJM.064/Rev1	



104-A02-075 SYSTEM

SPECIFY SEAL COLOR:	
Black (J1D301)	
Beige (J1D302)	
Gray (J1D303)	
Off White (J1D304)	
Bright White (J1D305)	

JOINT WIDTH		MOVEMENT ±			
		HORIZONTAL		VERTICAL	
US	mm	US	mm	US	mm
3"	76	3/4"	19	3/4"	19

FINISH: ALUMINUM FINISH-MILL
PROJECT:
CUSTOMER:
LOCATION:

APPLICATION-
SURFACE MOUNT FLOOR/WALL
CONDITION

DATE:	02-28-17
SCALE:	1:2
DOCADJM.064/Rev1	

