

104 Series Surface Mount

A01 - Floor to Floor

A02 - Floor to Wall



Movement Rating ± 25%

Product Guide



Thermal



Interior



Fire Rated Option



Vapor Barrier Option



ADA Compliant

- ▶ System is ideal for retrofit applications
- ▶ Designed to accommodate several different floor finishes such as tile, wood, or concrete
- ▶ Seamlessly integrates with the following wall and ceiling systems: 101,104,112,113,118 A07/A09
- ▶ Easy to clean flush seals, no dirt or water traps
- ▶ Seal offered in 5 standard colors, custom color available
- ▶ Dual durometer seal provides a secure fit and optimal flexibility
- ▶ Snap-fit design for easy on site assembly
- ▶ Standard loading capabilities
- ▶ Aluminum mill finish

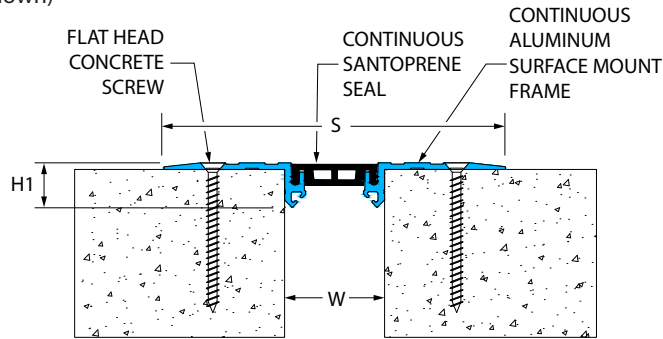
Application	System	W		H1		H2		S		B		Movement +/-			
		Joint Width		Frame Height 1		Height 2		Sightline		Blockout		Horizontal		Vertical	
		US	mm	US	mm	US	mm	US	mm	US	mm	US	mm	US	mm
Floor to Floor	104-A01-025	1"	25	5/8"	16	*	*	4 3/4"	121	*	*	1/4"	6	1/4"	6
	104-A01-038	1 1/2"	38	5/8"	16	*	*	5 1/8"	131	*	*	3/8"	10	3/8"	10
	104-A01-050	2"	51	1"	25	*	*	5 5/8"	143	*	*	1/2"	13	1/2"	13
	104-A01-075	3"	76	1 1/8"	28	*	*	6 5/8"	169	*	*	3/4"	19	3/4"	19
Floor to Wall	104-A02-025	1"	25	5/8"	16	*	*	2 7/8"	73	*	*	1/4"	6	1/4"	6
	104-A02-038	1 1/2"	38	5/8"	16	*	*	3 5/16"	84	*	*	3/8"	10	3/8"	10
	104-A02-050	2"	51	1"	25	*	*	3 3/4"	95	*	*	1/2"	13	1/2"	13
	104-A02-075	3"	76	1 1/8"	28	*	*	4 3/4"	121	*	*	3/4"	19	3/4"	19

IPC.637/REV.6

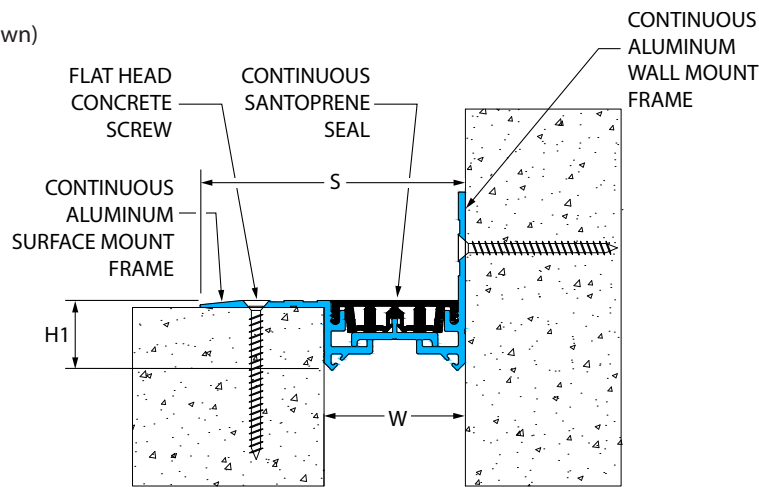
104 Series

Surface Mount Floor Systems

104-A01 Floor/Floor
(1 1/2" (38mm) system shown)

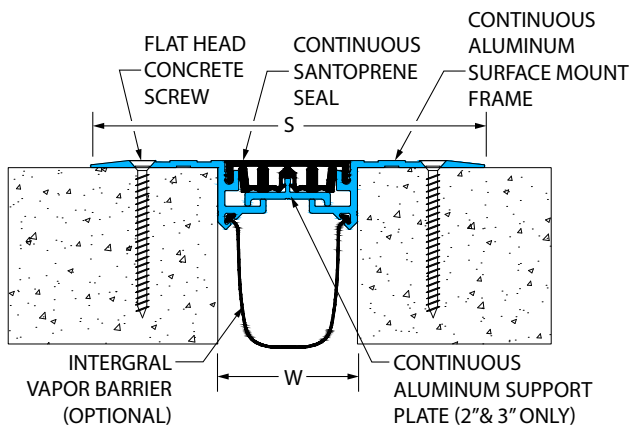


104-A02 Floor/Wall
(2" (50mm) system shown)



104 Series Options

Integral Vapor Barrier
(104-A01-050 system shown)



Mineral Wool and Self Leveling Sealant
(104-A01-075 system shown)

