

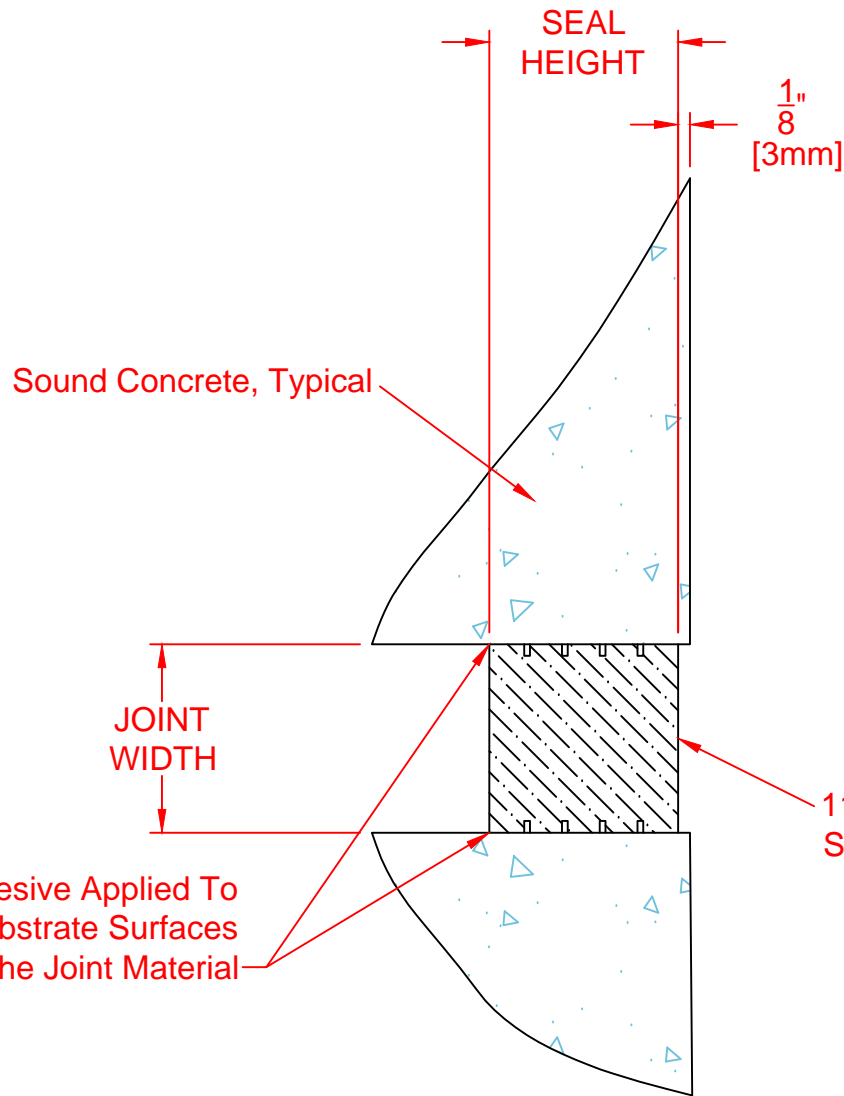
Design Chart						
System	Joint Width @ 60° F [16°C]		Seal Height		Movement Range	
	US	mm	US	mm	US	mm
1100-100	1"	25	2"	51	.4-1.8	10-46
1100-150	1-1/2"	38	2"	51	.8-2.6	20-66
1100-200	2"	51	2"	51	1.1-3.6	27-91
1100-250	2-1/2"	64	2"	51	1.3-4.2	33-107
1100-300	3"	76	3"	76	1.6-5.2	40-132
1100-350	3-1/2"	89	3"	76	1.8-5.8	46-147
1100-400	4"	100	4"	101	2-6.5	51-165
1100-450	4-1/2"	114	4"	101	2.2-7.3	56-185
1100-500	5"	127	4"	101	2.5-8.1	64-206
Available in other sizes (up to 12")						

JOINTMASTER™
EXPANSION JOINT SYSTEMS

DATE: 7-1-13
SCALE: NTS
DOC: CADJM.221/Rev2

1100 APPLICATION
FLOOR TO FLOOR

inpro.



Design Chart						
System	Joint Width @ 60° F [16°C]		Seal Height		Movement Range	
	US	mm	US	mm	US	mm
1100-100	1"	25	2"	51	.4-1.8	10-46
1100-150	1-1/2"	38	2"	51	.8-2.6	20-66
1100-200	2"	51	2"	51	1.1-3.6	27-91
1100-250	2-1/2"	64	2"	51	1.3-4.2	33-107
1100-300	3"	76	3"	76	1.6-5.2	40-132
1100-350	3-1/2"	89	3"	76	1.8-5.8	46-147
1100-400	4"	100	4"	101	2-6.5	51-165
1100-450	4-1/2"	114	4"	101	2.2-7.3	56-185
1100-500	5"	127	4"	101	2.5-8.1	64-206
Available in other sizes (up to 12")						

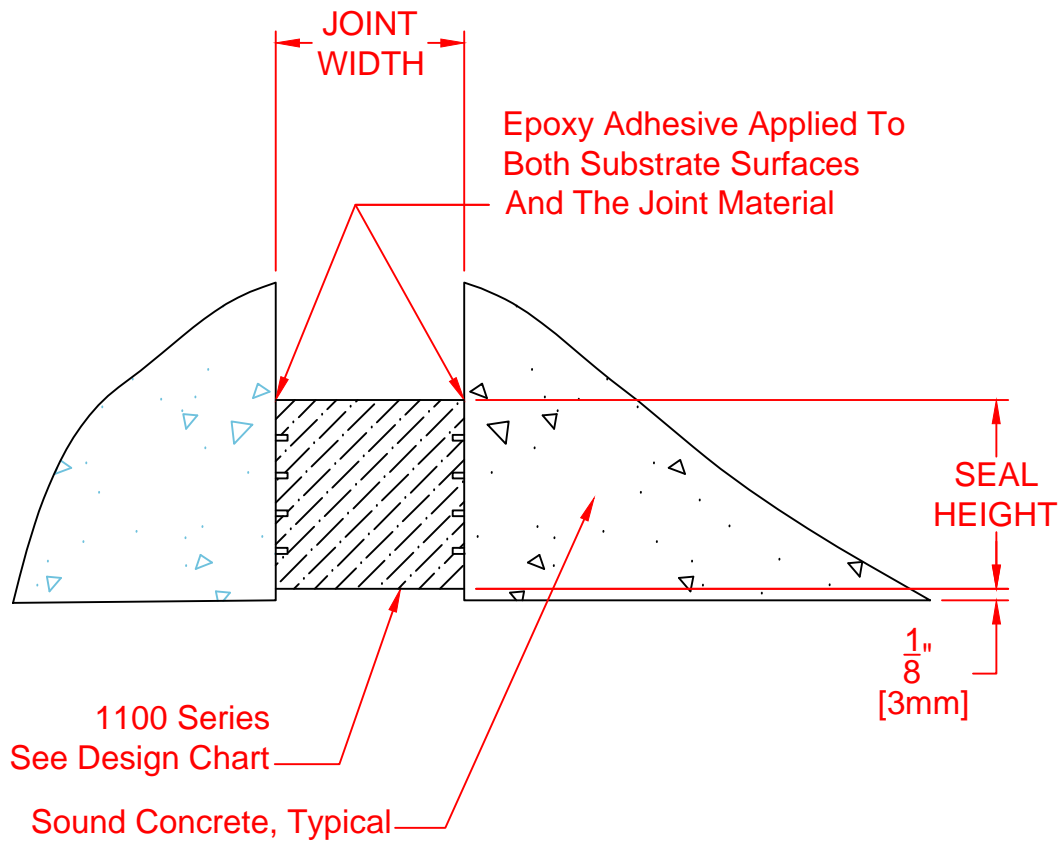
JOINTMASTER[®]
EXPANSION JOINT SYSTEMS

DATE: 7-1-13
SCALE: NTS
DOC: CADJM.221/Rev2

1100 APPLICATION
WALL TO WALL

inpro

Design Chart						
System	Joint Width @ 60° F [16°C]		Seal Height		Movement Range	
	US	mm	US	mm	US	mm
1100-100	1"	25	2"	51	.4-1.8	10-46
1100-150	1-1/2"	38	2"	51	.8-2.6	20-66
1100-200	2"	51	2"	51	1.1-3.6	27-91
1100-250	2-1/2"	64	2"	51	1.3-4.2	33-107
1100-300	3"	76	3"	76	1.6-5.2	40-132
1100-350	3-1/2"	89	3"	76	1.8-5.8	46-147
1100-400	4"	100	4"	101	2-6.5	51-165
1100-450	4-1/2"	114	4"	101	2.2-7.3	56-185
1100-500	5"	127	4"	101	2.5-8.1	64-206
Available in other sizes (up to 12")						



JOINTMASTER™
EXPANSION JOINT SYSTEMS

DATE: 7-1-13
SCALE: NTS
DOC: CADJM.221/Rev2

1100 APPLICATION
CEILING TO CEILING

inpro.