

113-A07-025

SPECIFY SEAL COLOR:	
Black (J1D101)	
Beige (J1D102)	
Gray (J1D103)	
Off White (J1D104)	
Bright White (J1D105)	

JOINT WIDTH		MOVEMENT ±			
		HORIZONTAL		VERTICAL	
US	mm	US	mm	US	mm
1"	25	1/4"	6	1/4"	6

FINISH: ALUM. FINISH-MILL

PROJECT:

CUSTOMER:

LOCATION:

APPLICATION-
SURFACE MOUNT WALL/WALL-
CEILING /CEILING CONDITION
FOR DRYWALL

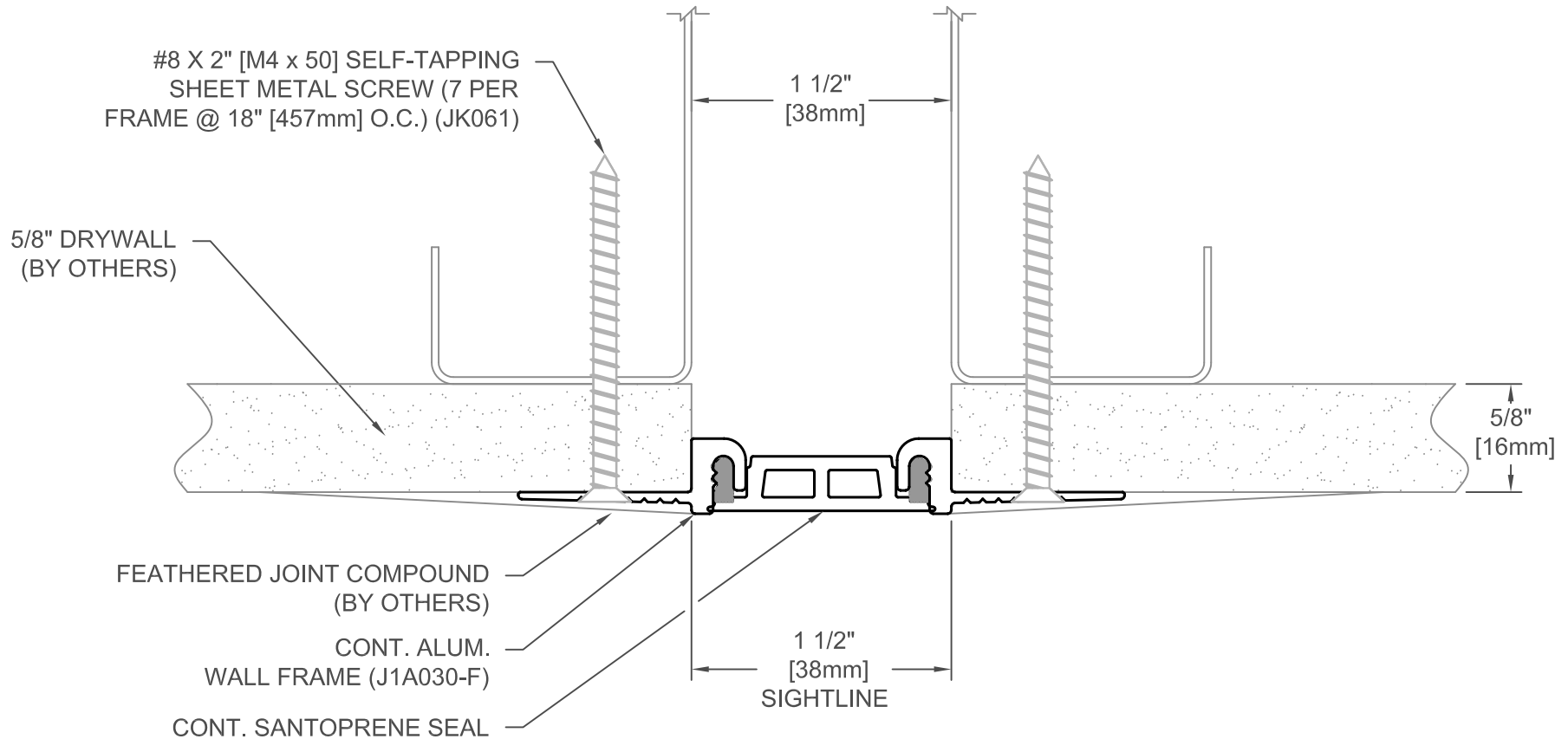
DATE: 03-02-17

SCALE: 1:1

DOC:CADJM.077/R1

inpro.

For More Information Visit: Inprocorp.com



113-A07-038

SPECIFY SEAL COLOR:	
Black (J1D151)	
Beige (J1D152)	
Gray (J1D153)	
Off White (J1D154)	
Bright White (J1D155)	

JOINT WIDTH		MOVEMENT ±			
		HORIZONTAL		VERTICAL	
US	mm	US	mm	US	mm
1-1/2"	38	3/8"	10	3/8"	10

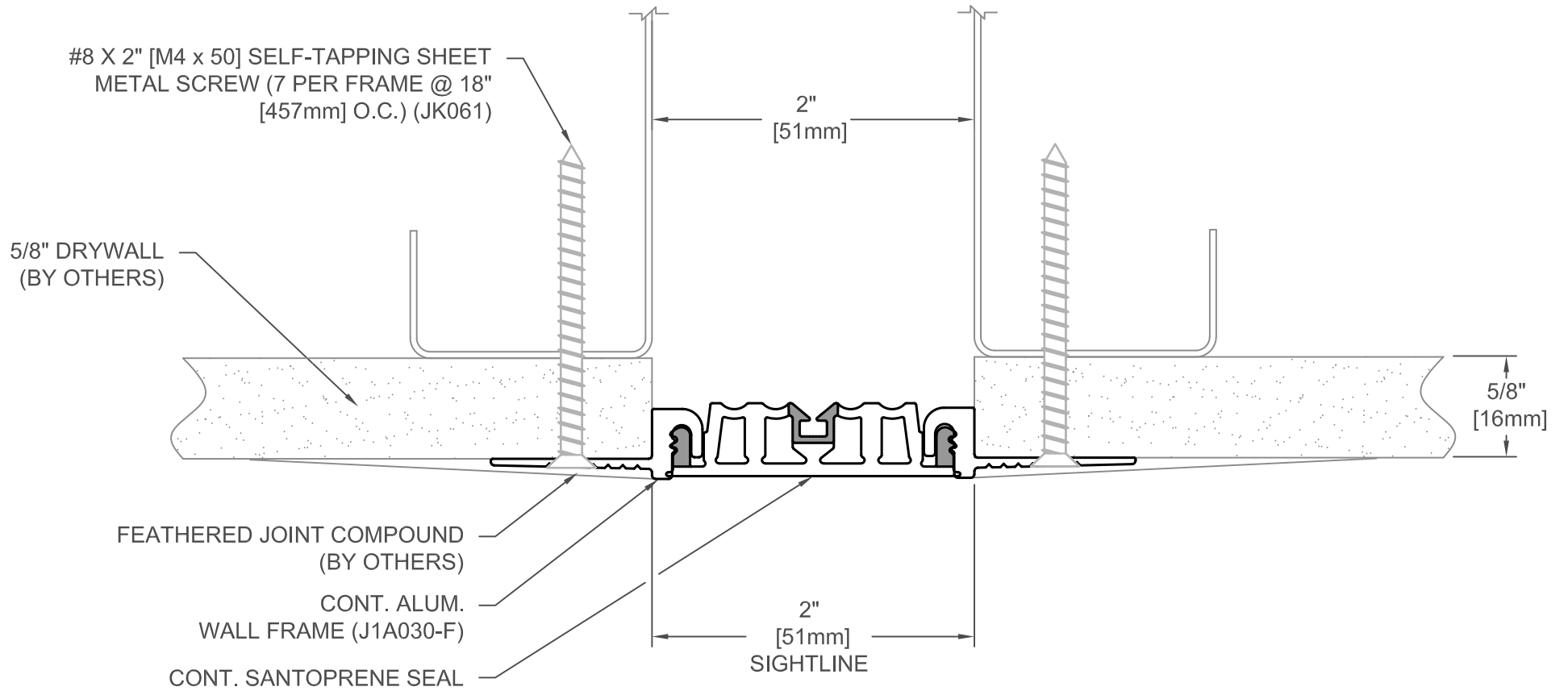
FINISH: ALUM. FINISH-MILL
PROJECT:
CUSTOMER:
LOCATION:

APPLICATION-
SURFACE MOUNT WALL/WALL-
CEILING /CEILING CONDITION
FOR DRYWALL

DATE:	03-02-17
SCALE:	1:1
DOC:	CADJM.077/R1

inpro.

For More Information Visit: Inprocorp.com



113-A07-050

SPECIFY SEAL COLOR:	
Black (J1D201)	
Beige (J1D202)	
Gray (J1D203)	
Off White (J1D204)	
Bright White (J1D205)	

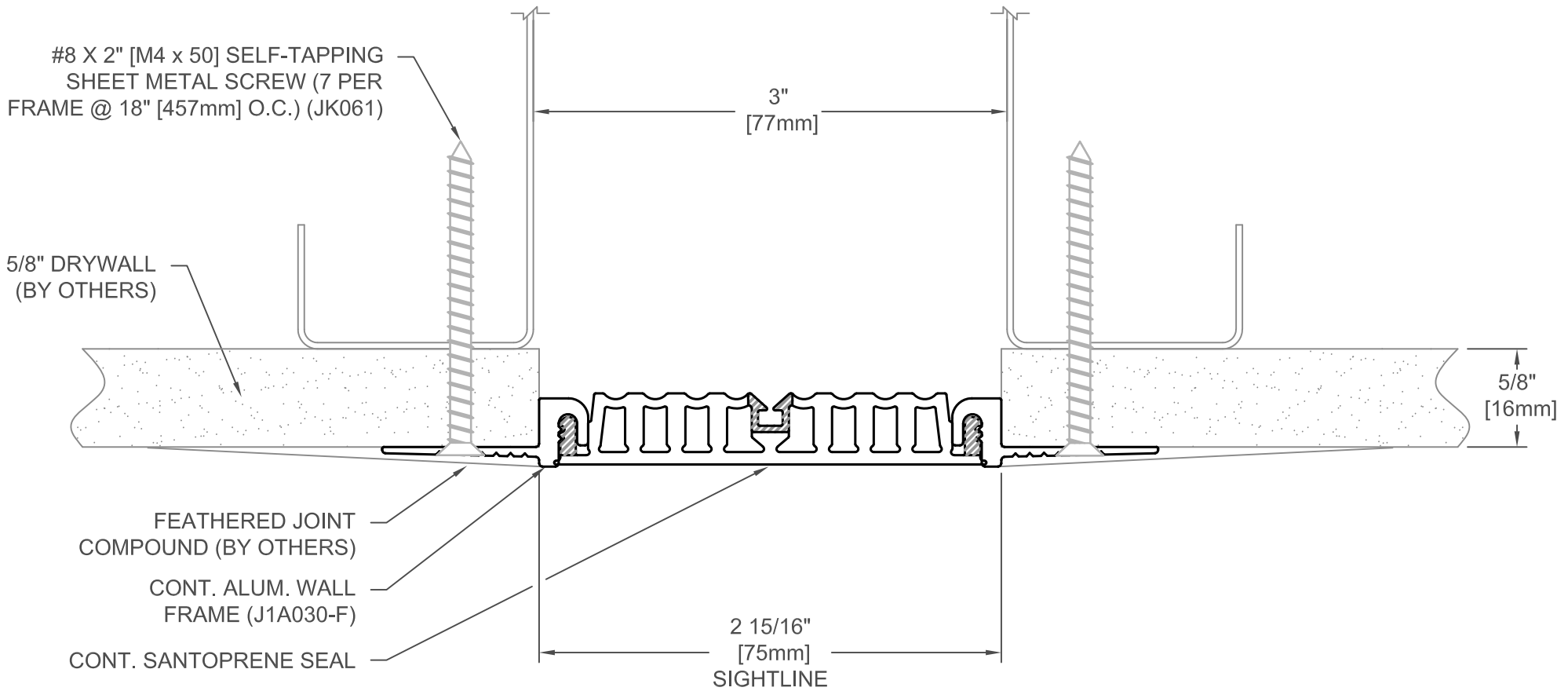
JOINT WIDTH		MOVEMENT ±			
		HORIZONTAL		VERTICAL	
US	mm	US	mm	US	mm
2"	51	1/2"	13	1/2"	13

FINISH: ALUM. FINISH-MILL
PROJECT:
CUSTOMER:
LOCATION:

APPLICATION-
SURFACE MOUNT WALL/WALL-
CEILING /CEILING CONDITION
FOR DRYWALL

DATE:	03-02-17
SCALE:	1:1
DOC:	CADJM.077/R1





113-A07-075

SPECIFY SEAL COLOR:	
Black (J1D301)	
Beige (J1D302)	
Gray (J1D303)	
Off White (J1D304)	
Bright White (J1D305)	

JOINT WIDTH		MOVEMENT ±			
		HORIZONTAL		VERTICAL	
US	mm	US	mm	US	mm
3"	76	3/4"	19	3/4"	19

FINISH: ALUM. FINISH-MILL

PROJECT:

CUSTOMER:

LOCATION:

APPLICATION-
SURFACE MOUNT WALL/WALL-
CEILING /CEILING CONDITION
FOR DRYWALL

DATE: 03-02-17

SCALE: 1:1

DOC:CADJM.077/R1

inpro.

For More Information Visit: Inprocorp.com