

113 Series Recess Mount

A07 - Wall to Wall or Ceiling to Ceiling

A09 - Wall to Corner or Wall to Ceiling



Movement Rating ± 25%

Product Guide



Thermal



Interior



Fire Rated Option



Vapor Barrier Option

- ▶ Extremely minimal sightline
- ▶ Dual durometer seal provides secure fit and optimal flexibility
- ▶ Designed for 5/8" (16mm) drywall installations
- ▶ Finish with plaster joint compound or wall covering
- ▶ Easy to clean flush seals
- ▶ Snap-fit design for easy on site assembly
- ▶ Standard seal colors: black, beige, gray, off white and bright white. Custom colors available upon request.

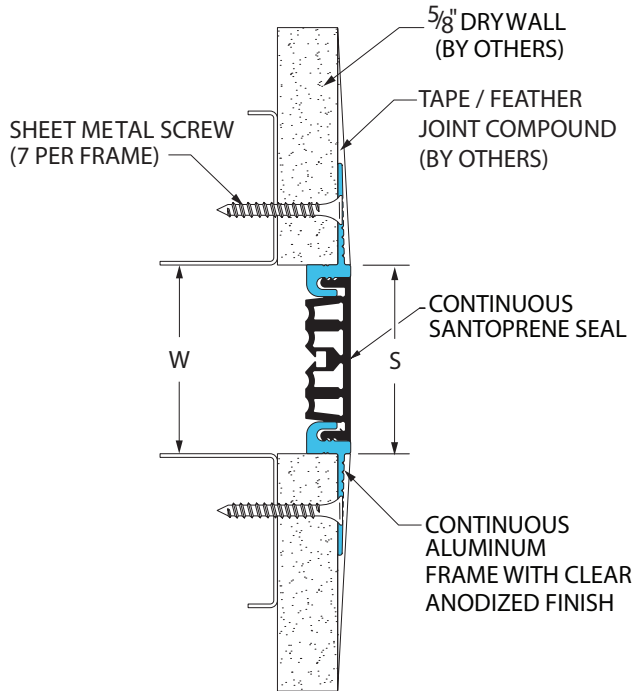
Application	System	W		H1		H2		S		B		Movement +/-			
		Joint Width		Frame Height 1		Height 2		Sightline		Blockout		Horizontal		Vertical	
		US	mm	US	mm	US	mm	US	mm	US	mm	US	mm	US	mm
Wall/Wall Ceiling/Ceiling	113-A07-025	1"	25	*	*	*	*	1"	25	*	*	1/4"	6	1/4"	6
	113-A07-038	1 1/2"	38	*	*	*	*	1 1/2"	36	*	*	3/8"	10	3/8"	10
	113-A07-050	2"	51	*	*	*	*	2"	47	*	*	1/2"	13	1/2"	13
	113-A07-075	3"	76	*	*	*	*	3"	76	*	*	3/4"	19	3/4"	19
Wall/Corner Wall/Ceiling	113-A09-025	1"	25	*	*	*	*	1"	25	*	*	1/4"	6	1/4"	6
	113-A09-038	1 1/2"	38	*	*	*	*	1 1/2"	36	*	*	3/8"	10	3/8"	10
	113-A09-050	2"	51	*	*	*	*	2"	47	*	*	1/2"	13	1/2"	13
	113-A09-075	3"	76	*	*	*	*	3"	73	*	*	3/4"	19	3/4"	19

IPC.411/REV.7

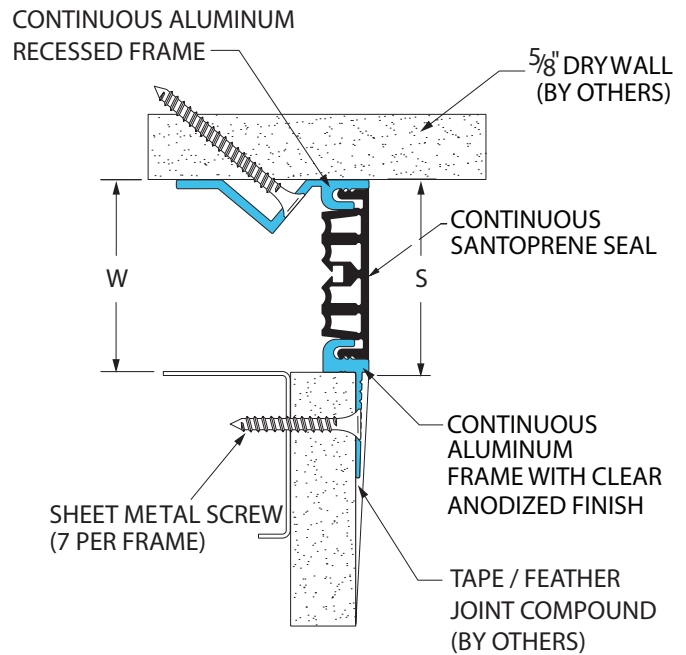
113 Series

Wall and Ceiling Systems for Drywall Finishes

113-A07 Wall/Wall Ceiling/Ceiling
(2" (50mm) system shown)

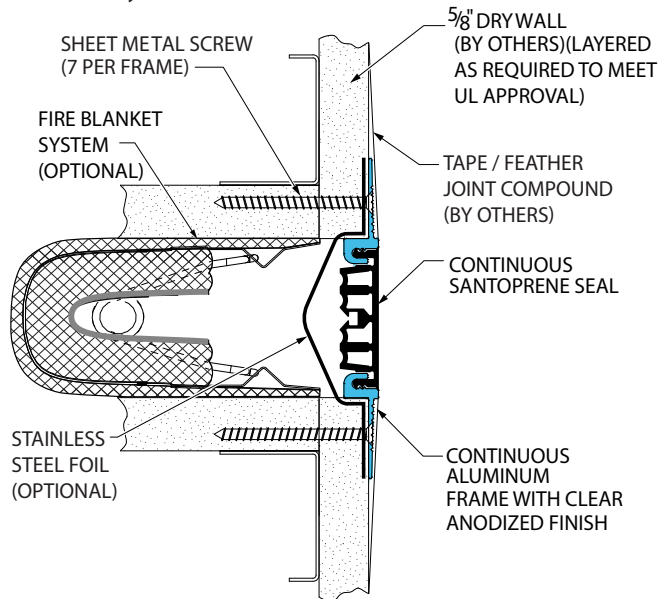


113-A09 Wall/Corner Wall/Ceiling
(2" (50mm) system shown)



113 Series Options

Fire Blanket System
(113-A07-050 system shown)



EPDM Vapor Barrier
(113-A07-050 system shown)

