

118 Series

A07 - Wall to Wall

A09 - Wall to Corner



Movement Rating ± 25%

Product Guide



Thermal



Interior



Fire Rated Option



Vapor Barrier Option

- ▶ Seal absorbs thermal and limited seismic movement
- ▶ Dual durometer seal provides secure fit and optimal flexibility
- ▶ Seal offered in 5 standard colors, custom colors available
- ▶ Flush mount frame reduces sightline
- ▶ Adaptable to any wall finish

Application	System	W		H1		H2		S		B		Movement +/-			
		Joint Width		Frame Height 1		Height 2		Sightline		Blockout		Horizontal		Vertical	
		US	mm	US	mm	US	mm	US	mm	US	mm	US	mm	US	mm
Wall/Wall	118-A07-050	2"	50	*	*	*	*	1 7/8"	47	*	*	1/2"	13	1/2"	13
	118-A07-075	3"	75	*	*	*	*	2 7/8"	73	*	*	3/4"	19	3/4"	19
Wall/Corner	118-A09-050	2"	50	*	*	*	*	1 7/8"	47	*	*	1/2"	13	1/2"	13
	118-A09-075	3"	75	*	*	*	*	2 7/8"	73	*	*	3/4"	19	3/4"	19

IPC.835/REV.4

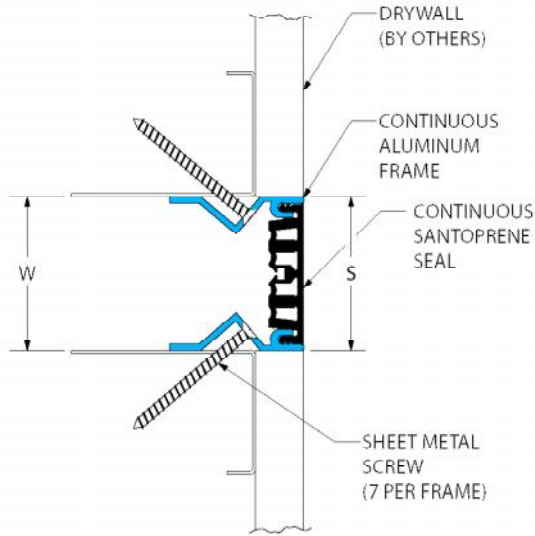
Inprocorp.com • 800.222.5556 • 262.679.9010
 World Headquarters S80 W18766 Apollo Drive, Muskego, WI 53150 USA

JOINTMASTER®
 EXPANSION JOINT SYSTEMS
 A DIVISION OF INFRO®

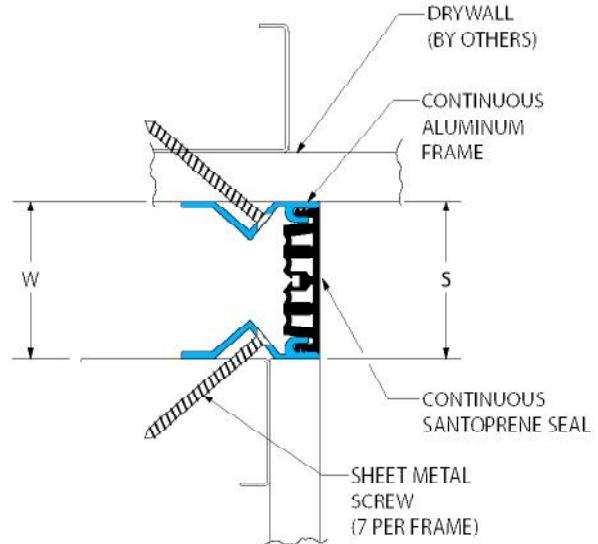
118 Series

Flush Mount Wall Systems

118-A07 Wall/Wall
(2" (50mm) system shown)



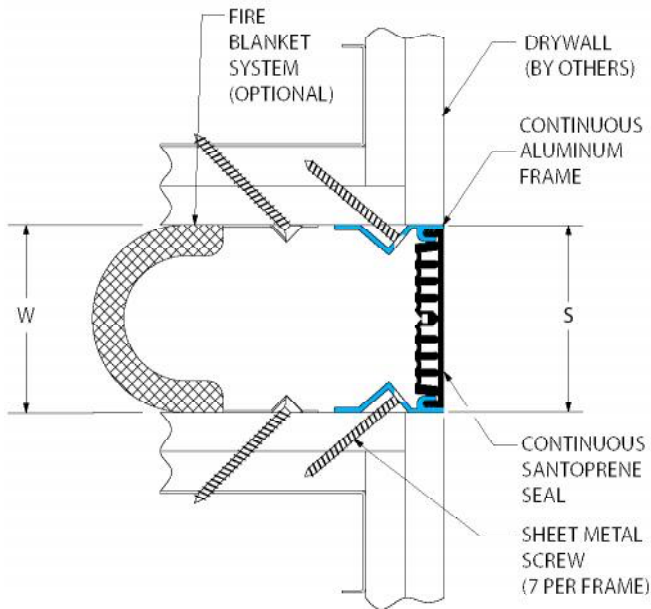
118-A09 Wall/Corner
(2" (50mm) system shown)



118 Series

Options

118-A07 Wall/Wall With Fire Blanket
(3" (75mm) system shown)



118-A07 Wall/Wall With Mineral Wool
(2" (50mm) system shown)

