

SYSTEM	JOINT WIDTH		SEAL HEIGHT		MOVEMENT ±			
	US	mm	US	mm	COMPRESSION		EXPANSION	
	US	mm	US	mm	US	mm	US	mm
1200-050	1/2"	13	1 1/2"	38	1/4"	6	1/4"	6
1200-100	1"	25	1 1/2"	38	1/2"	13	1/2"	13
1200-150	1 1/2"	38	2"	51	3/4"	20	3/4"	20
1200-200	2"	51	2"	51	1"	25	1"	25
1200-250	2 1/2"	64	2"	51	1 1/4"	32	1 1/4"	32
1200-300	3"	76	3"	76	1 1/2"	38	1 1/2"	38
1200-350	3 1/2"	89	3"	76	1 3/4"	44	1 3/4"	44
1200-400	4"	102	3"	76	2"	51	2"	51
1200-500	5"	127	3"	76	2 1/2"	64	2 1/2"	64
1200-600	6"	152	4"	102	3"	76	3"	76
1200-700	7"	179	4"	102	3 1/2"	89	3 1/2"	89
1200-800	8"	203	4"	102	4"	102	4"	102

FINISH: N/A

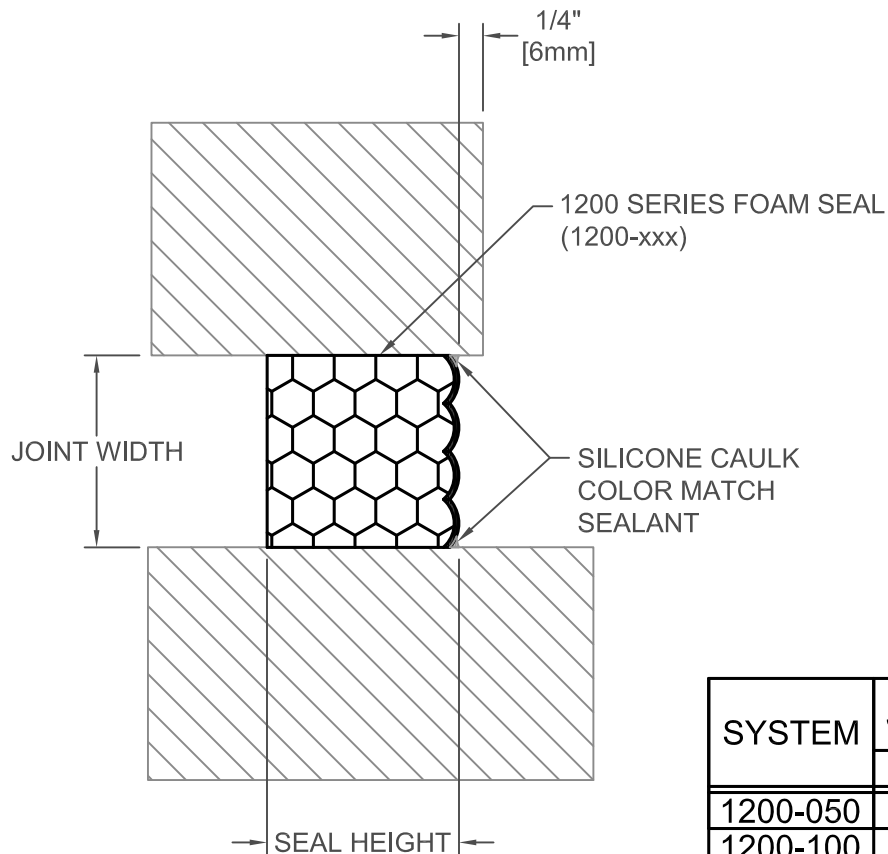
**JOINTMASTER**  
EXPANSION JOINT SYSTEMS  
A DIVISION OF INPRO

DATE: 11-15-07  
SCALE: 1:2  
DOC: CADJM.224/R4

1200 APPLICATION  
EXTERIOR WALL/WALL

PROJECT:  
CUSTOMER:  
LOCATION:





SYSTEM	JOINT WIDTH		SEAL HEIGHT		MOVEMENT ±			
	US	mm	US	mm	COMPRESSION		EXPANSION	
	US	mm	US	mm	US	mm	US	mm
1200-050	1/2"	13	1 1/2"	38	1/4"	6	1/4"	6
1200-100	1"	25	1 1/2"	38	1/2"	13	1/2"	13
1200-150	1 1/2"	38	2"	51	3/4"	20	3/4"	20
1200-200	2"	51	2"	51	1"	25	1"	25
1200-250	2 1/2"	64	2"	51	1 1/4"	32	1 1/4"	32
1200-300	3"	76	3"	76	1 1/2"	38	1 1/2"	38
1200-350	3 1/2"	89	3"	76	1 3/4"	44	1 3/4"	44
1200-400	4"	102	3"	76	2"	51	2"	51
1200-500	5"	127	3"	76	2 1/2"	64	2 1/2"	64
1200-600	6"	152	4"	102	3"	76	3"	76
1200-700	7"	179	4"	102	3 1/2"	89	3 1/2"	89
1200-800	8"	203	4"	102	4"	102	4"	102

FINISH: N/A

• **JOINTMASTER**  
EXPANSION JOINT SYSTEMS  
A DIVISION OF INPRO®

DATE: 11-15-07

SCALE: 1:2

DOC: CADJM.224/R4

1200 APPLICATION  
EXTERIOR WALL/CORNER

PROJECT:

CUSTOMER:

LOCATION:

**inpro.**<sup>®</sup>