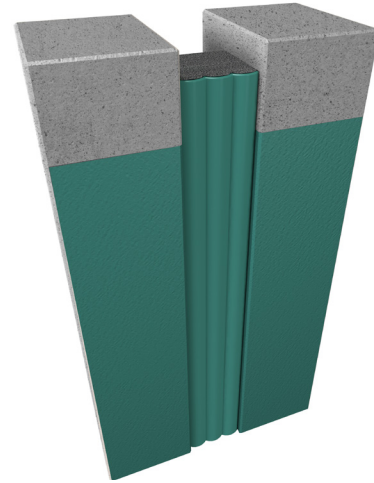


1200 Series Foam Seals

Wall to Wall
Wall to Corner



Movement Rating $\pm 50\%$

Product Guide



Interior



Exterior



Weather Resistant

- ▶ Foam seals create a water tight, insulated seal.
- ▶ Seal material is UV stable and highly resistant to Ozone and Chemical degradation.
- ▶ Capable of handling vertical and horizontal joint movement.
- ▶ Available in 26 standard colors, custom colors available upon request.
- ▶ Available in single, double or triple face versions
- ▶ Open cell foam is constantly self-expanding, allowing system to maintain a watertight seal while undergoing rapid joint movement.
- ▶ Single pick-resistance face optional, standard colors: Limestone, Tru-White. (custom colors available)
- ▶ 1200 foam seal comes pre-compressed equipped with peel and stick adhesive sides, making installation easy.
- ▶ 1200 foam seal is installed with epoxy for joint widths 6" and greater
- ▶ Utilized for vertical applications only.
- ▶ Allows for up to 100% movement ($\pm 50\%$).
- ▶ Optional custom silicone available for NSF 61 approval.

| Physical Data | |
|-------------------------------|---------------------------------------|
| Property | Value |
| Nominal Density | 10 lb/cu. ft. [160kg/m ³] |
| Thermal Conductivity | 0.05 W/m. ² C |
| Temperature Stability | -40°F[-40°C] to 185° [85°C] |
| Elongation | 125% \pm 20% (ASTM 3574) |
| Tensile Strength | 21 psi min. [.15MPa] (ASTM 3574) |
| Shear Strength | Min 8 N/cm ² |
| Resistance to Compression Set | Max 2.5% |

| Application | System | Joint Width | | Seal Height | | Movement \pm Compression/Expansion | |
|----------------------------------|----------|-------------|-----|-------------|-----|---|-----|
| | | US | mm | US | mm | US | mm |
| 1200 Wall/Wall Wall/Corner | 1200-050 | 1/2" | 13 | 1 1/2" | 38 | 1/4" | 6 |
| | 1200-100 | 1" | 25 | 1 1/2" | 38 | 1/2" | 13 |
| | 1200-150 | 1 1/2" | 38 | 2" | 51 | 3/4" | 20 |
| | 1200-200 | 2" | 51 | 2" | 51 | 1" | 25 |
| | 1200-250 | 2 1/2" | 64 | 2" | 51 | 1 1/4" | 32 |
| | 1200-300 | 3" | 76 | 3" | 76 | 1 1/2" | 38 |
| | 1200-350 | 3 1/2" | 89 | 3" | 76 | 1 3/4" | 44 |
| | 1200-400 | 4" | 102 | 4" | 102 | 2" | 51 |
| | 1200-500 | 5" | 127 | 4" | 102 | 2 1/2" | 64 |
| | 1200-600 | 6" | 152 | 4" | 102 | 3" | 76 |
| | 1200-700 | 7" | 179 | 5" | 127 | 3 1/2" | 89 |
| | 1200-800 | 8" | 203 | 5" | 127 | 4" | 102 |

*Additional sizes available, contact your Expansion JointMaster representative to discuss availability.

IPC.925/REV.10

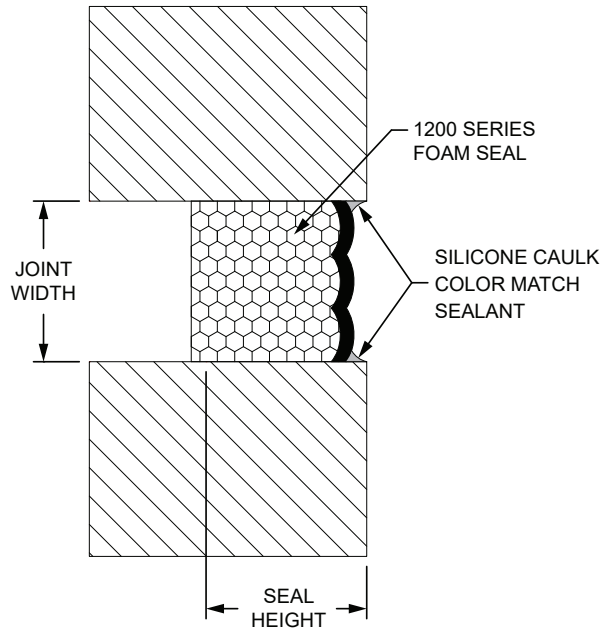
Inprocorp.com • 800.222.5556 • 262.679.9010
World Headquarters S80 W18766 Apollo Drive, Muskego, WI 53150 USA

JOINTMASTER®
EXPANSION JOINT SYSTEMS
A DIVISION OF INPRO®

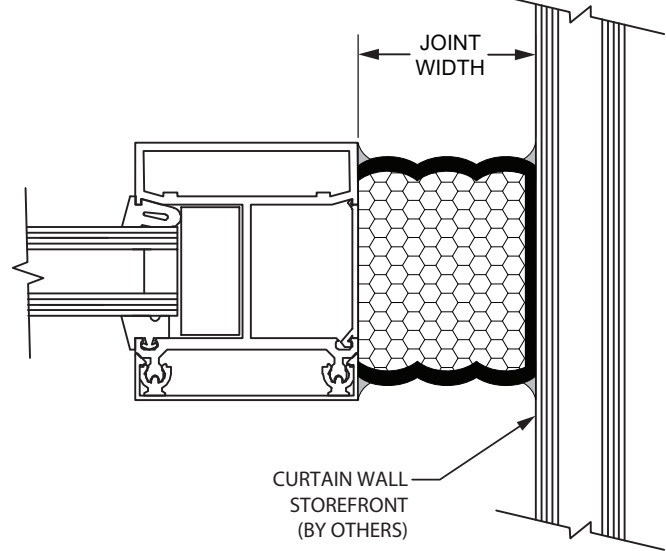
1200 Series

Foam Seal Systems

1200 Series
(2" (50mm) system shown)



1200 Series
(2" (50mm) Custom triple-sided system shown)



1200 Series
(2" (50mm) double-sided system shown)

