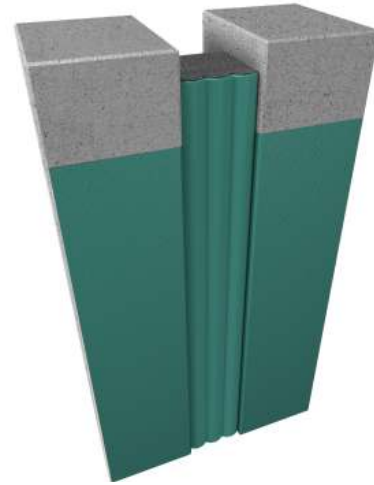


1200 Series Foam Seals

Wall to Wall
Wall to Corner



Movement Rating $\pm 50\%$

Product Guide



Interior



Exterior



Weather Resistant

- ▶ Foam seals create a water tight, insulated seal.
- ▶ Seal material is UV stable and highly resistant to Ozone and Chemical degradation.
- ▶ Capable of handling vertical and horizontal joint movement.
- ▶ Available in 26 standard colors, custom colors available upon request.
- ▶ Available in single, double or triple face versions
- ▶ Open cell foam is constantly self-expanding, allowing system to maintain a watertight seal while undergoing rapid joint movement.
- ▶ Single pick-resistance face optional, standard colors: Limestone, Tru-White. (custom colors available)
- ▶ 1200 foam seal comes pre-compressed equipped with peel and stick adhesive sides, making installation easy.
- ▶ 1200 foam seal is installed with epoxy for joint widths 6" and greater
- ▶ Utilized for vertical applications and/ or soffit applications only
- ▶ Allows for up to 100% movement ($\pm 50\%$).
- ▶ Optional custom silicone available for NSF 61 approval.

Physical Data	
Property	Value
Nominal Density	10 lb/cu. ft. [160kg/m ³]
Thermal Conductivity	0.05 W/m. ² °C
Temperature Stability	-40°F[-40°C] to 185° [85°C]
Elongation	125% \pm 20% (ASTM 3574)
Tensile Strength	21 psi min. [.15MPa] (ASTM 3574)
Shear Strength	Min 8 N/cm ²
Resistance to Compression Set	Max 2.5%

Application	System	Joint Width		Seal Height		Movement \pm Compression/Expansion	
		US	mm	US	mm	US	mm
1200 Wall/Wall Wall/Corner	1200-050	1/2"	13	1 1/2"	38	1/4"	6
	1200-100	1"	25	1 1/2"	38	1/2"	13
	1200-150	1 1/2"	38	2"	51	3/4"	20
	1200-200	2"	51	2"	51	1"	25
	1200-250	2 1/2"	64	2"	51	1 1/4"	32
	1200-300	3"	76	3"	76	1 1/2"	38
	1200-350	3 1/2"	89	3"	76	1 3/4"	44
	1200-400	4"	102	4"	102	2"	51
	1200-500	5"	127	4"	102	2 1/2"	64
	1200-600	6"	152	4"	102	3"	76
	1200-700	7"	179	5"	127	3 1/2"	89
	1200-800	8"	203	5"	127	4"	102

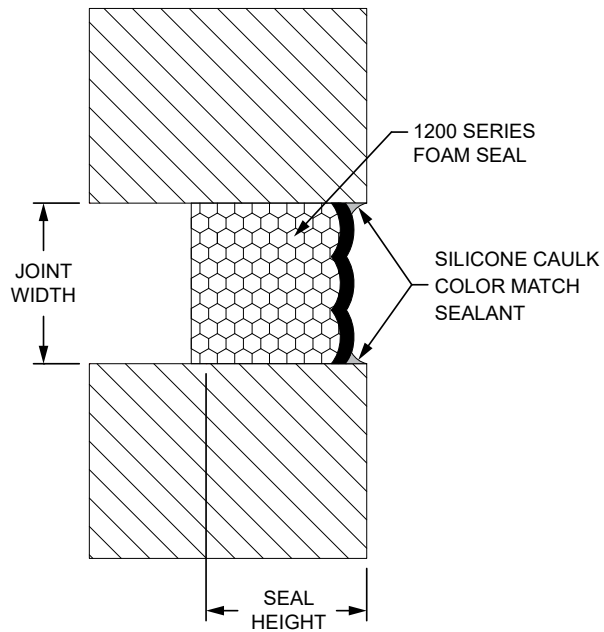
*Additional sizes available, contact your Expansion JointMaster representative to discuss availability.

IPC.925/REV.10

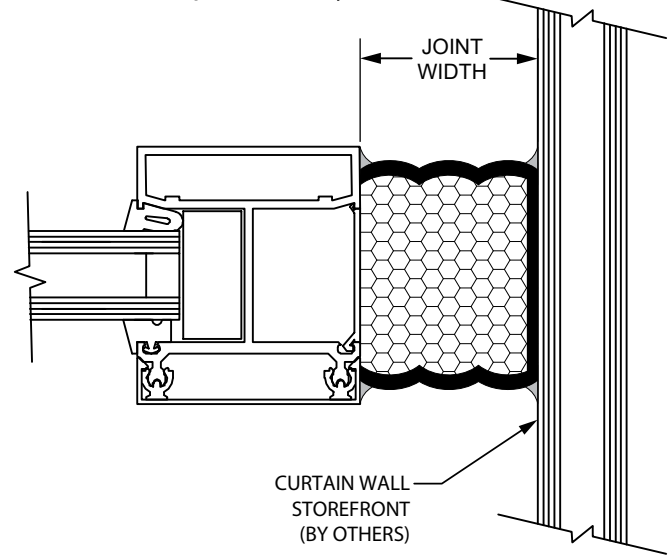
1200 Series

Foam Seal Systems

1200 Series
(2" (50mm) system shown)



1200 Series
(2" (50mm) Custom triple-sided system shown)



1200 Series
(2" (50mm) double-sided system shown)

