

151-A02-025

| SPECIFY SEAL COLOR: | |
|-----------------------|--|
| Black (J1D101) | |
| Beige (J1D102) | |
| Gray (J1D103) | |
| Off White (J1D104) | |
| Bright White (J1D105) | |

| JOINT WIDTH | | MOVEMENT ± | | | |
|-------------|----|------------|----|----------|----|
| | | HORIZONTAL | | VERTICAL | |
| US | mm | US | mm | US | mm |
| 1" | 25 | 1/4" | 6 | 1/4" | 6 |

NOTE:
TO DETERMINE BLOCKOUT DEPTH, DEDUCT THICKNESS OF FIN. FLR. FROM FRAME HEIGHT.

FINISH: ALUM FINISH: MILL

PROJECT:

CUSTOMER:

LOCATION:

APPLICATION-
RECESSED FLOOR/FLOOR CONDITION

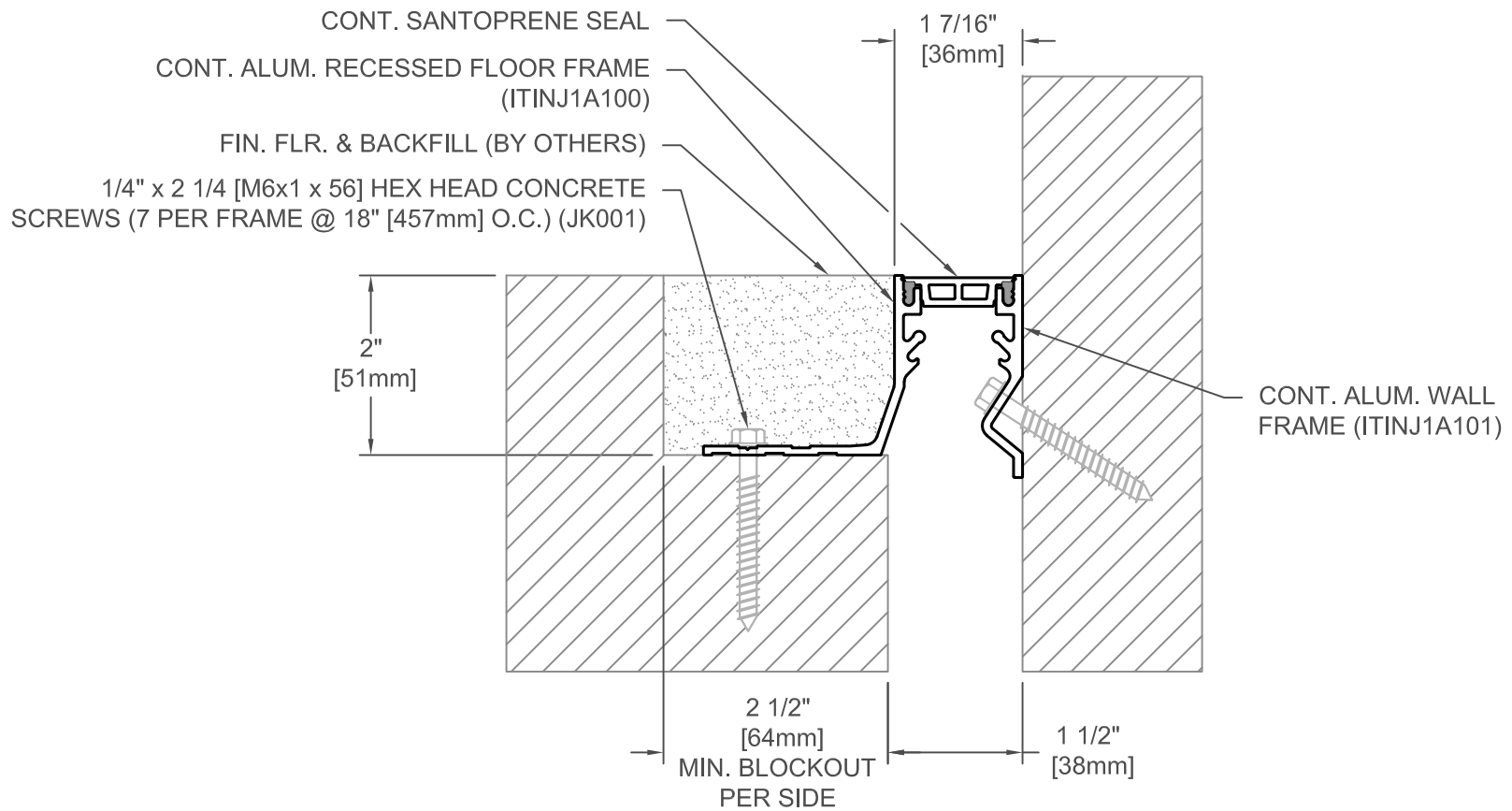
DATE: 12/30/14

SCALE: 1:2

DOC: CADJM.155/R3

inpro.

For More Information Visit: Inprocorp.com



151-A02-038

| SPECIFY SEAL COLOR: | |
|-----------------------|--|
| Black (J1D151) | |
| Beige (J1D152) | |
| Gray (J1D153) | |
| Off White (J1D154) | |
| Bright White (J1D155) | |

| JOINT WIDTH | | MOVEMENT ± | | | |
|-------------|----|------------|----|----------|----|
| | | HORIZONTAL | | VERTICAL | |
| US | mm | US | mm | US | mm |
| 1 1/2" | 38 | 3/8" | 10 | 3/8" | 10 |

NOTE:
TO DETERMINE BLOCKOUT DEPTH, DEDUCT THICKNESS OF FIN. FLR. FROM FRAME HEIGHT.

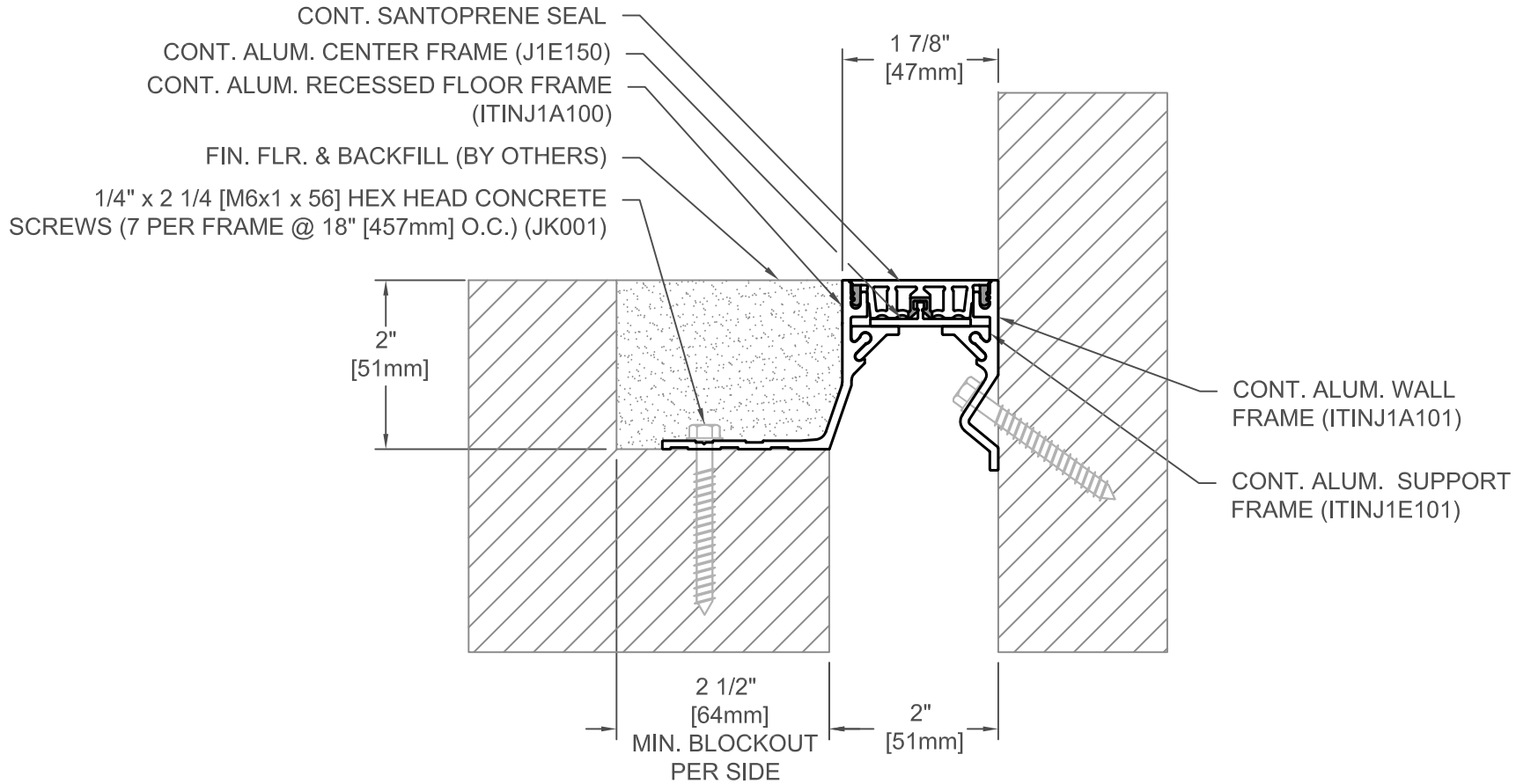
| |
|---------------------------|
| FINISH: ALUM FINISH: MILL |
| PROJECT: |
| CUSTOMER: |
| LOCATION: |

APPLICATION-
RECESSED FLOOR/FLOOR CONDITION

| | |
|--------|--------------|
| DATE: | 12/30/14 |
| SCALE: | 1:2 |
| DOC: | CADJM.155/R3 |

inpro.

For More Information Visit: Inprocorp.com



151-A02-050

| SPECIFY SEAL COLOR: | |
|-----------------------|--|
| Black (J1D201) | |
| Beige (J1D202) | |
| Gray (J1D203) | |
| Off White (J1D204) | |
| Bright White (J1D205) | |

| JOINT WIDTH | | MOVEMENT ± | | | |
|-------------|----|------------|----|----------|----|
| | | HORIZONTAL | | VERTICAL | |
| US | mm | US | mm | US | mm |
| 2" | 51 | 1/2" | 13 | 1/2" | 13 |

NOTE:
 TO DETERMINE BLOCKOUT DEPTH, DEDUCT THICKNESS OF FIN. FLR. FROM FRAME HEIGHT.

FINISH: ALUM FINISH: MILL

PROJECT:

CUSTOMER:

LOCATION:

APPLICATION-
 RECESSED FLOOR/FLOOR CONDITION

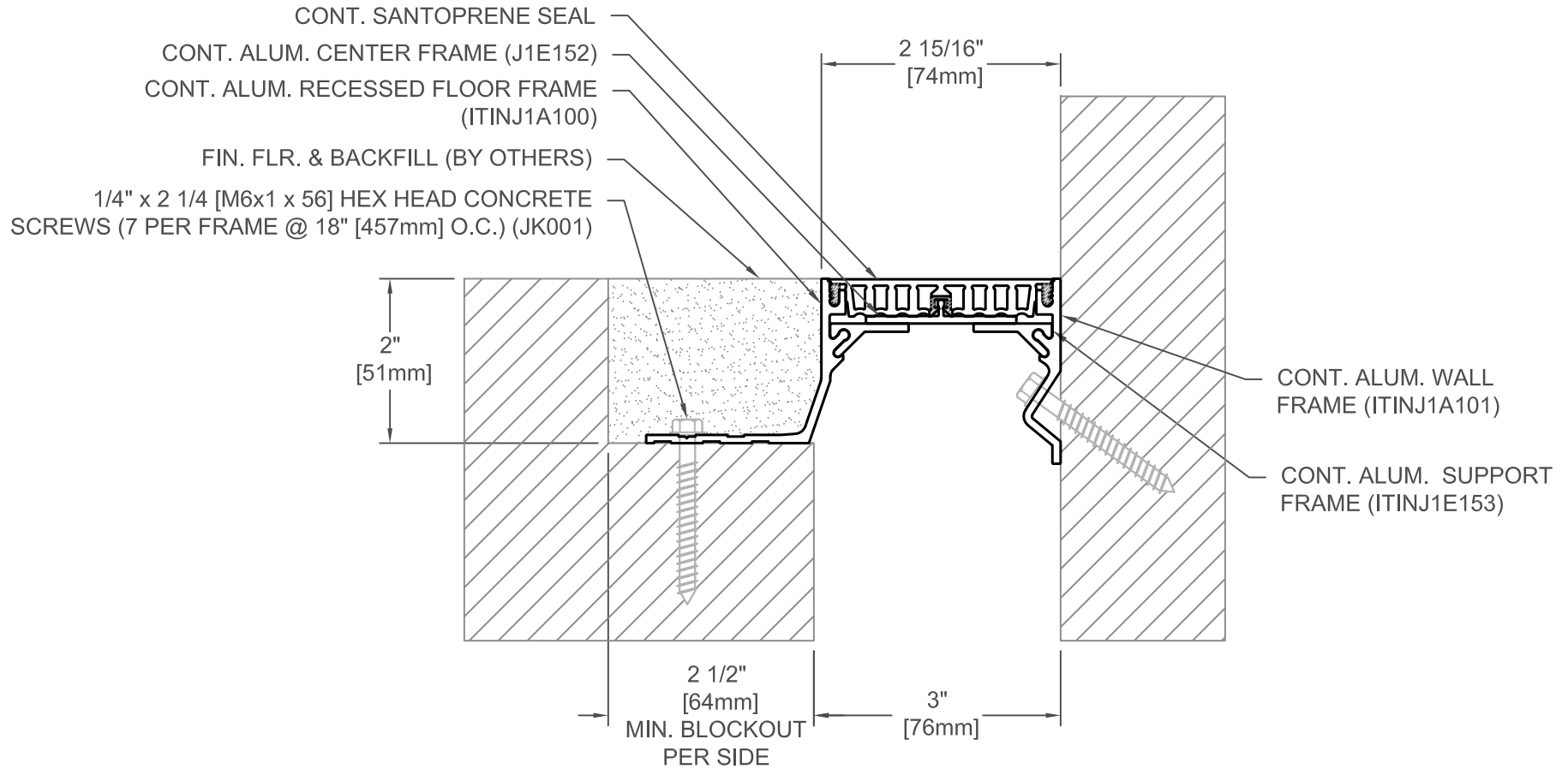
DATE: 12/30/14

SCALE: 1:2

DOC: CADJM.155/R3

inpro.

For More Information Visit: Inprocorp.com



151-A02-075

| SPECIFY SEAL COLOR: | |
|-----------------------|--|
| Black (J1D301) | |
| Beige (J1D302) | |
| Gray (J1D303) | |
| Off White (J1D304) | |
| Bright White (J1D305) | |

| JOINT WIDTH | | MOVEMENT ± | | | |
|-------------|----|------------|----|----------|----|
| | | HORIZONTAL | | VERTICAL | |
| US | mm | US | mm | US | mm |
| 3" | 76 | 3/4" | 19 | 3/4" | 19 |

NOTE:
 TO DETERMINE BLOCKOUT DEPTH, DEDUCT THICKNESS OF FIN. FLR. FROM FRAME HEIGHT.

FINISH: ALUM FINISH: MLL

PROJECT:

CUSTOMER:

LOCATION:

APPLICATION-
 RECESSED FLOOR/FLOOR CONDITION

DATE: 12-15-17

SCALE: 1:2

DOC: CADJM.155/R3

inpro.

For More Information Visit: Inprocorp.com