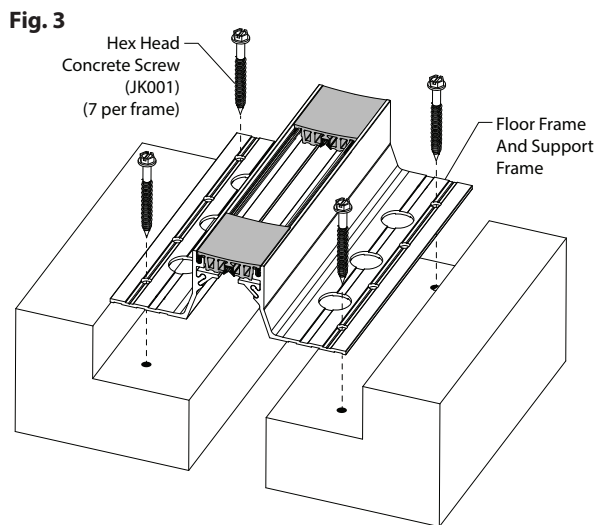
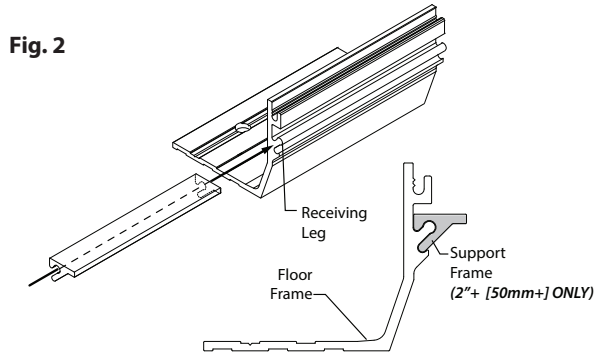
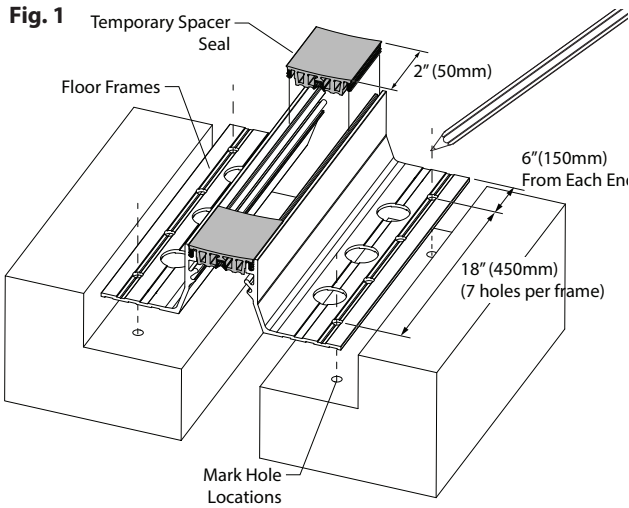


Installation Instructions

Joint System: 151-A01

Note: Verify that the structural gap and blockout dimensions are in conformance with submittal data before beginning installation. If this is a Fire Rated Assembly, the fire barrier must be installed before the Architectural Joint System. Refer to the fire barrier instructions for specific system installation.



1. Install the architectural joint system on a level surface within the blockout. To determine blockout depth, deduct thickness of floor finish from frame height. Make sure top of frame is level with the finished floor height. This may require adding leveling compound to raise the tops of the frames.

Figure 1

2. Cut the aluminum frames to the desired length.
3. To properly space frames, cut three small 2" [50mm] sections of seal. Insert one at each end and one in the center of each set of frames.
4. Center the frames over the structural gap, ensuring the frame bases do not extend over the gap.
5. Using the small pre-stamped holes in the frames, mark 7 hole locations along the length. Ensure the holes are 6" [150mm] from each end and 18" [450mm] on center.
6. Remove the frame assembly from the blockout(s).

Figure 2 - Joint widths over 2" [50mm] only

7. If the joint width is over 2" [50mm], slide the supplied continuous support frames onto the receiving leg located on the frames.

Figure 3

8. Drill the marked hole locations in the blockout using a 3/16" (5mm) concrete drill bit to 2 3/8" (60mm) depth.
- 8a. Optional EPDM Vapor Barrier: Lay continuous bead of butyl rubber caulk in both sides of the blockout. Starting at one end of the frame assembly, place vapor barrier evenly in blockout allowing the excess material to drape into the structural gap. If necessary, vapor barrier may be fastened to substrate with masonry nails. Fold ends up or weep out
9. Return the frames into position over the drilled hole locations. Secure the floor frames in place with JK001 1/4" Tapcon concrete screws. Remove the temporary spacers

IPC.1820/REV.2

Installation Instructions

Joint System: 151-A01

Fig. 4

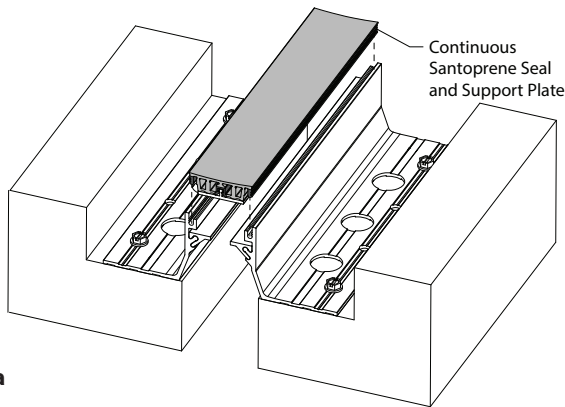


Fig. 4a

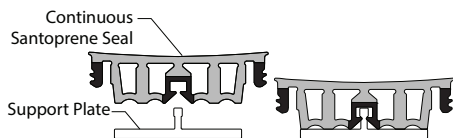


Fig. 5

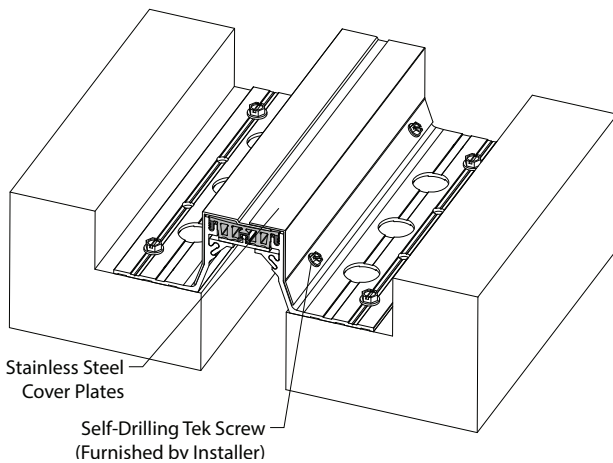


Fig. 6

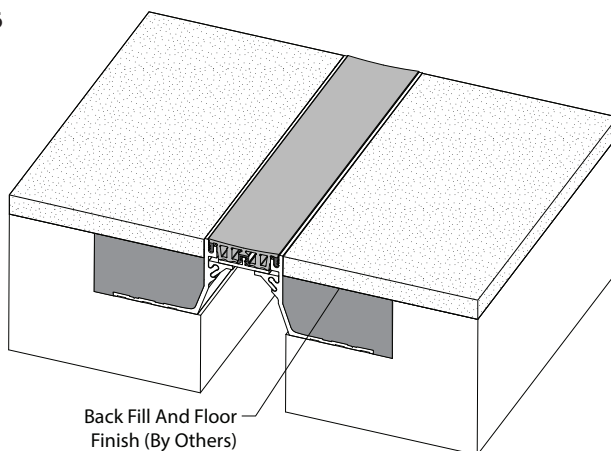


Figure 4

10. Insert the Santoprene seal into the recessed frame slots until the seal is flush with the tops of the frames. NOTE: To assist in installing the seal, apply a mist of soapy water solution to the back of the seal. A 1" [25mm] wide seam roller may be used to fully engage the seal ears into the frame slots

Figure 4a

10a. For the 1" [25mm] system, press the seal securely into the frame slots.

10b. For the 2" [50mm] and larger systems, make sure the spine of support plate is inserted into the middle channel of the seal. Then, center the seal and aluminum support plate assembly over the frames' support legs.

NOTE: If not installing stainless steel cover plates, skip down to step 13.

Figure 5 (Optional)

11. Fasten the stainless steel cover plates to the 151 series aluminum frames using a self drilling tek screw (furnished by installer).

12. Ensure the stainless steel cover plates are positioned as noted in Fig. 5. Allowing a slip fit above the santoprene seal.

Figure 6

13. Backfill the blockout and install the floor finish level to the top of the frame. Clean the exposed surfaces with a non-solvent cleaner, such as 409, as required.