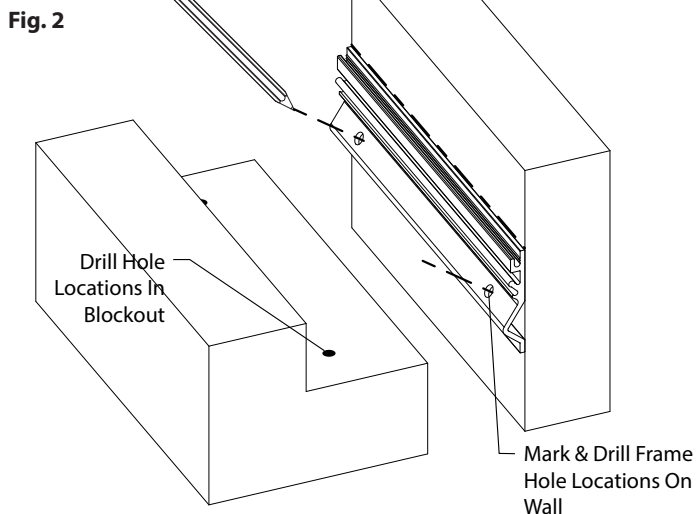
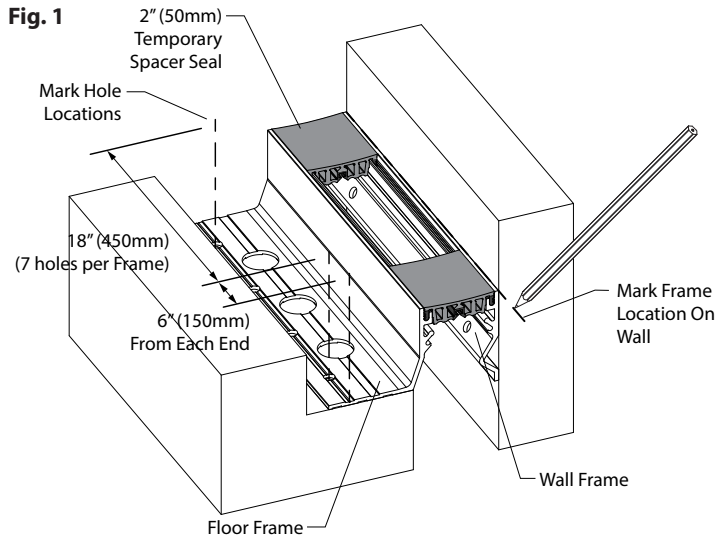


# Installation Instructions

## Joint System: 151-A02

Note: Verify that the structural gap and blockout dimensions are in conformance with submittal data before beginning installation. If this is a Fire Rated Assembly, the fire barrier must be installed before the Architectural Joint System. Refer to the fire barrier instructions for specific system installation.



1. Install the architectural joint system on a level surface within the blockout. To determine blockout depth, deduct thickness of floor finish from frame height. Make sure top of frame is level with the finished floor height. This may require adding leveling compound to raise the tops of the frames.

### Figure 1

2. Cut the aluminum frames to the desired length.
3. To properly space frames, cut three small 2" [50mm] sections of seal. Insert one at each end and one in the center of each set of frames.
4. Center the frames over the structural gap, Ensure the back surface of wall frame is flat against wall.
5. Using the small pre-stamped holes in floor frame, mark 7 hole locations along the length. Ensure the holes are 6" [150mm] from each end and 18" [450mm] on center.
6. Mark a line along the top edge of the wall frame.
7. Remove the frame assembly from the blockout(s).

### Figure 2

8. Return the wall frame to the wall. Align the top edge of the frame with the marked line on the wall. Mark the hole locations using the pre-drilled holes on the angled leg of the frame.
9. Drill the marked hole locations using a 3/16" (5mm) concrete drill bit to 2 3/8" (60mm) depth.
- 9a. Optional EPDM Vapor Barrier: Lay continuous bead of butyl rubber caulk in both sides of the blockout. Starting at one end of the frame assembly, place vapor barrier evenly in blockout allowing the excess material to drape into the structural gap. If necessary, vapor barrier may be fastened to substrate with masonry nails. Fold ends up or weep out.

IPC.1821/REV.1

Inprocorp.com • 800.222.5556 • 262.679.9010

World Headquarters S80 W18766 Apollo Drive, Muskego, WI 53150 USA

**JOINTMASTER®**  
EXPANSION JOINT SYSTEMS  
A DIVISION OF INPRO®

# Installation Instructions

Joint System: 151-A02

Fig. 3

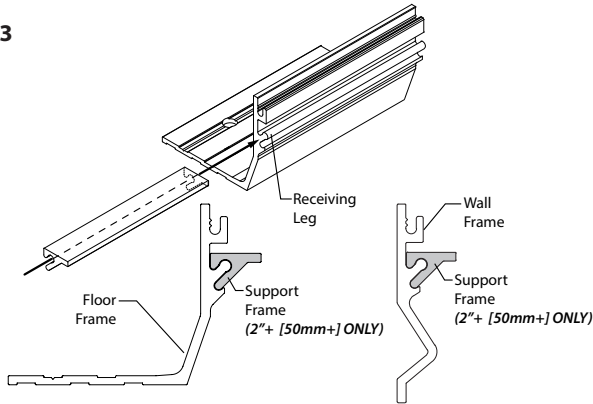


Figure 3 - Joint widths over 2" [50mm] only

10. If the joint width is over 2" [50mm], slide the supplied continuous support frames onto the receiving leg located on the frames.

Tip: A Silicone based spray lubricant can be applied to the receiving leg to make installation easier.

Fig. 4

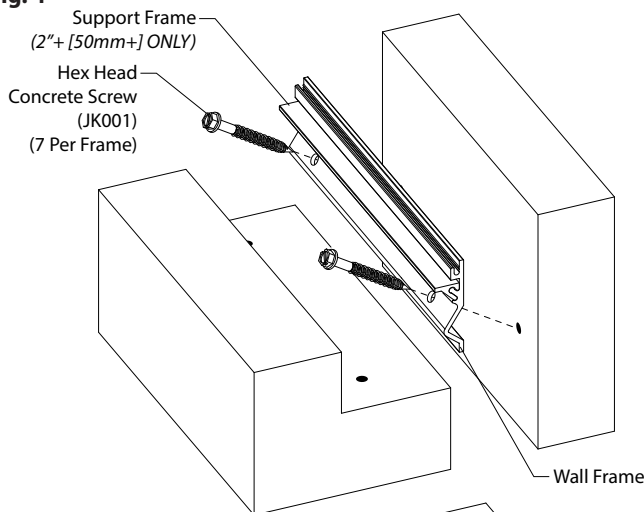


Figure 4

11. Return the wall frame to joint opening and secure to wall using supplied Hex Head Concrete Screws (JK001).

Remember: if the joint width is over 2" [50mm] in width, the support frames must be installed before securing the frames in place.

Fig. 5

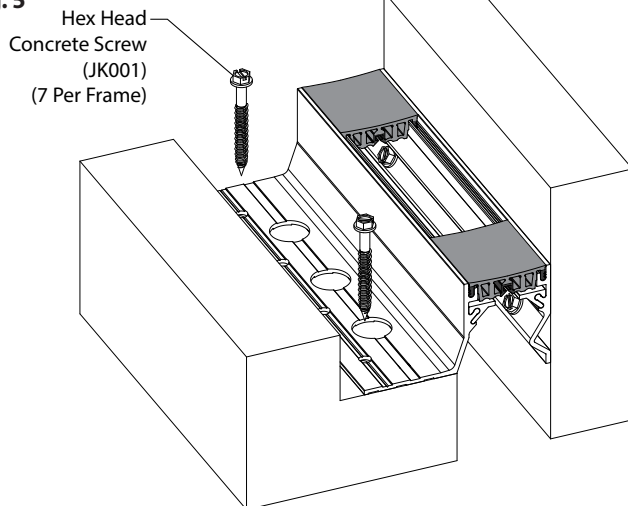


Figure 5

12. Return the floor frame to joint opening. Re-insert the three 2" [50mm] sections of seal back into the expansion joint frames, with one section at each end and the third section in the middle.

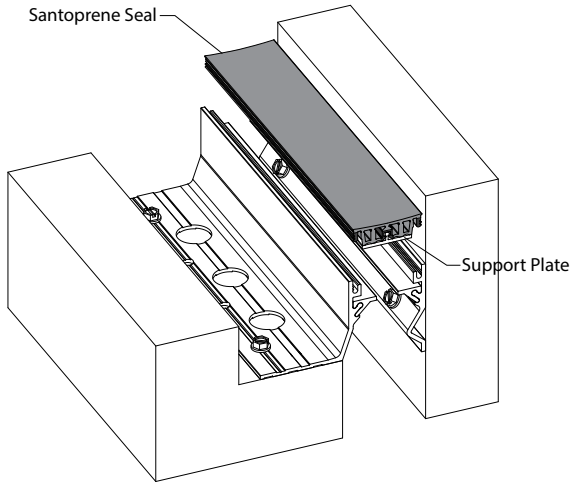
13. With the frames properly spaced, secure the floor frame into position using the Hex Head Concrete Screws (JK001).

14. After the floor frame is installed remove the three temporary spacers.

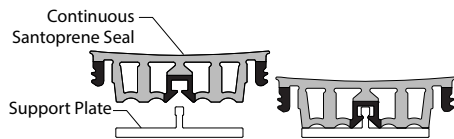
# Installation Instructions

Joint System: 151-A02

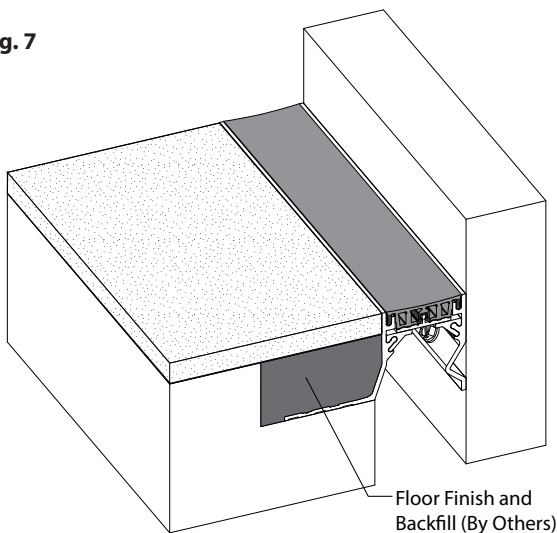
**Fig. 6**



**Fig. 6a**



**Fig. 7**



**Figure 6**

15. Insert the Santoprene seal into the recessed frame slots until the seal is flush with the tops of the frames. NOTE: To assist in installing the seal, apply a mist of soapy water solution to the back of the seal. A 1" [25mm] wide seam roller may be used to fully engage the seal ears into the frame slots.

**Figure 6a**

15a. For the 1" [25mm] system, press the seal securely into the frame slots.

15b. For the 2" [50mm] and larger systems, make sure the seal is first inserted into the support plate. Then, center the seal and aluminum support plate assembly over the frames' support legs

**Figure 7**

16. Backfill the breakout and install the floor finish level to the top of the frame. Clean the exposed surfaces with a non-solvent cleaner, such as 409, as required.