

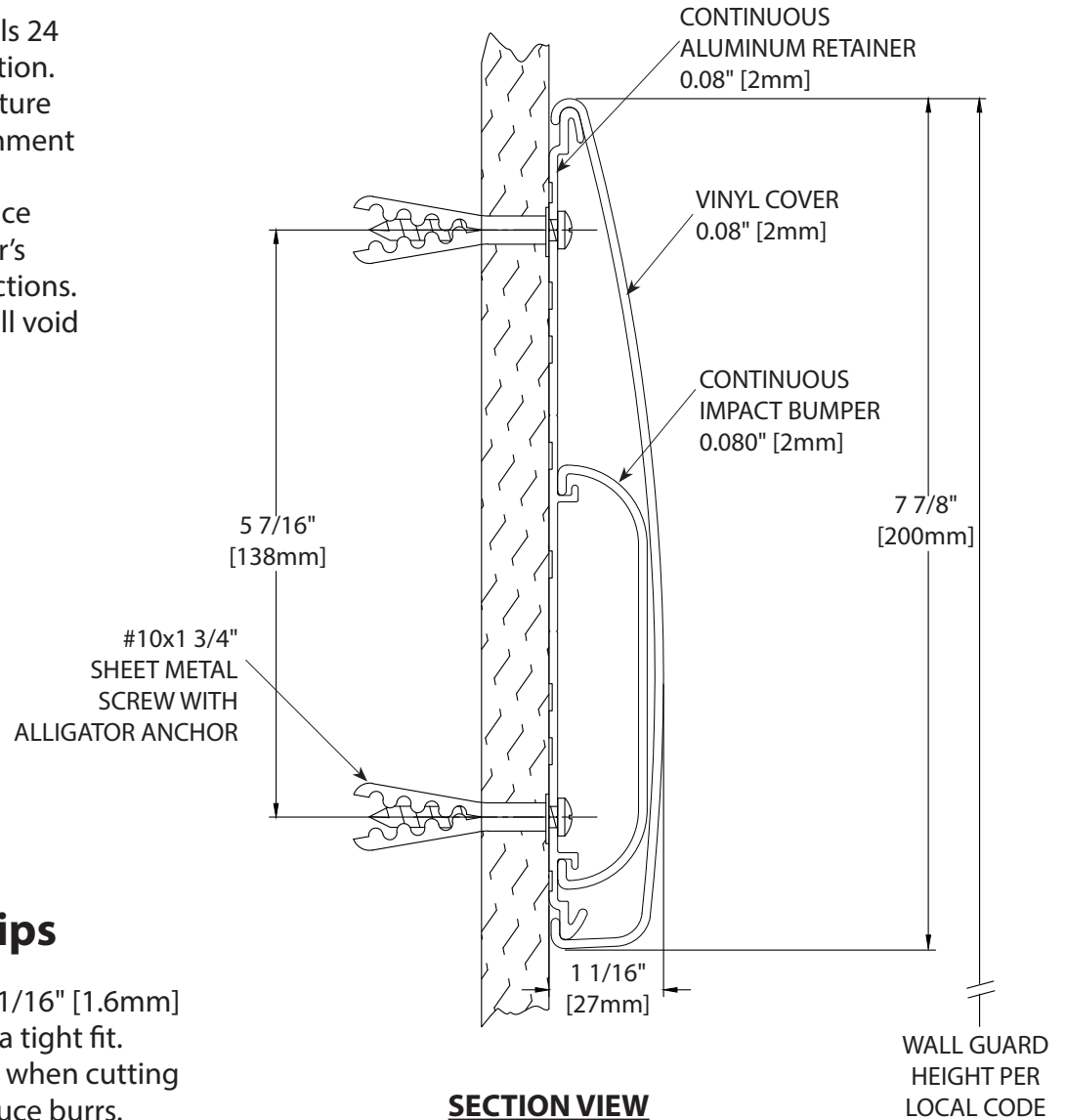
Installation Instructions

1800/G2-1800 Wall Guard

Please read all instructions before installing Wall Guard.

Important

1. Acclimate materials 24 hrs before installation. Maintain temperature controlled environment after installation.
2. Install in accordance with manufacturer's installation instructions. Failure to do so will void the warranty.



Installation tips

1. Cut covers up to 1/16" [1.6mm] longer to ensure a tight fit.
2. Lubricate blades when cutting aluminum to reduce burrs.

RECOMMENDED TOOLS

Safety Glasses, Tape Measure, Power Drill, Drill Bits - 1/4" masonry (concrete/concrete block), Power Miter Saw, 10" Blade with 60-80 Carbide Tipped Teeth

IPC.352/REV.7

Installation Hotline . 866.EZINPRO

Inprocorp.com . 800.222.5556 . 262.679.9010

World Headquarters S80 W18766 Apollo Drive, Muskego, WI 53150 USA

IPC® •

DOOR + WALL PROTECTION SYSTEMS

A DIVISION OF INPRO®

Installation Instructions

1800/G2-1800 Wall Guard

Please read all instructions before installing Wall Guard.

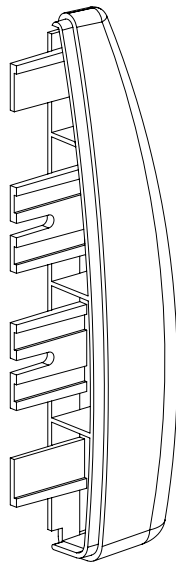
Components and Fasteners



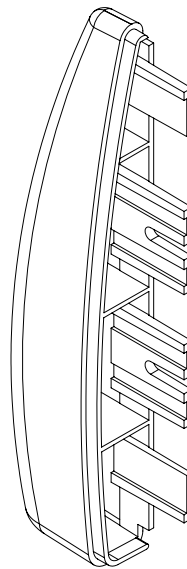
1800A
ALUMINUM RETAINER



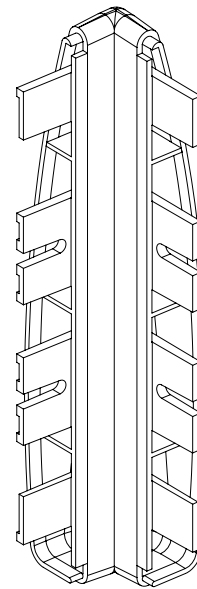
1800V
VINYL COVER



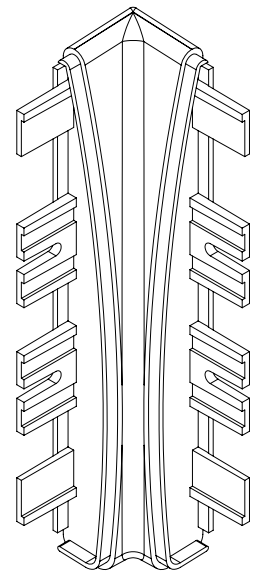
1801-R
RIGHT END CAP



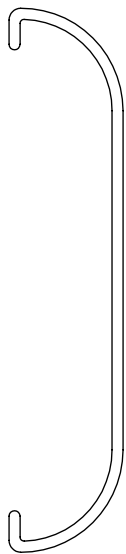
1801-L
LEFT END CAP



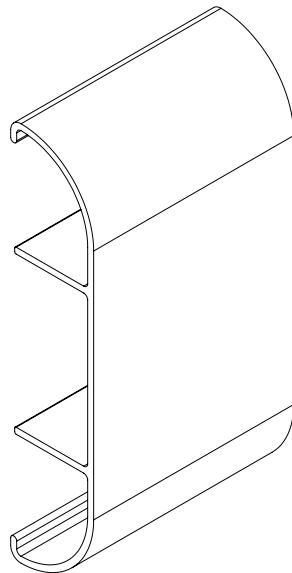
1802
OUTSIDE CORNER



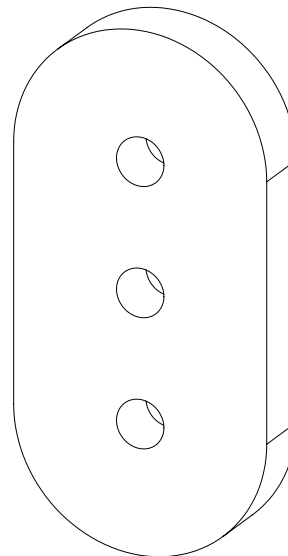
1803
INSIDE CORNER



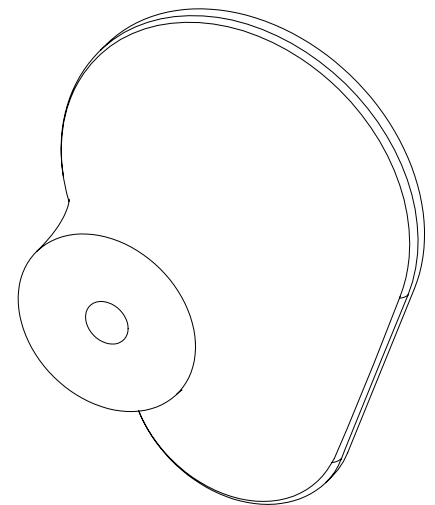
700B
VINYL IMPACT
BUMPER



706A
ALUMINUM SPLICE



1601
RUBBER SPACER
1/2" THICK
(OPTIONAL)



801
INJECTION MOLDED
BRACKET
(OPTIONAL)

Fasteners

Wall Condition	Specified Fasteners	Inpro part #
Wall Guard Profile Hardware	#10 1 3/4" Phillips pan head sheet metal screw with alligator anchor	HWK-WG
Concrete Hardware for End Caps	#10 1 3/4" Phillips pan head sheet metal screw with alligator anchor	HWK-701C
Drywall Hardware for End Caps	#8 x 1 1/2" Phillips Indented Hex Washer Self-Drilling Screw #2PT ZP	HWK-701D
Concrete Hardware for Corners	#10 1 3/4" Phillips pan head sheet metal screw with alligator anchor	HWK-702/707C
Drywall Hardware for Corners	#8 x 1 1/2" Phillips Indented Hex Washer Self-Drilling Screw #2PT ZP	HWK-702/707DW

Installation Hotline . 866.EZINPRO

Inprocorp.com . 800.222.5556 . 262.679.9010

World Headquarters S80 W18766 Apollo Drive, Muskego, WI 53150 USA

IPC®

DOOR + WALL PROTECTION SYSTEMS

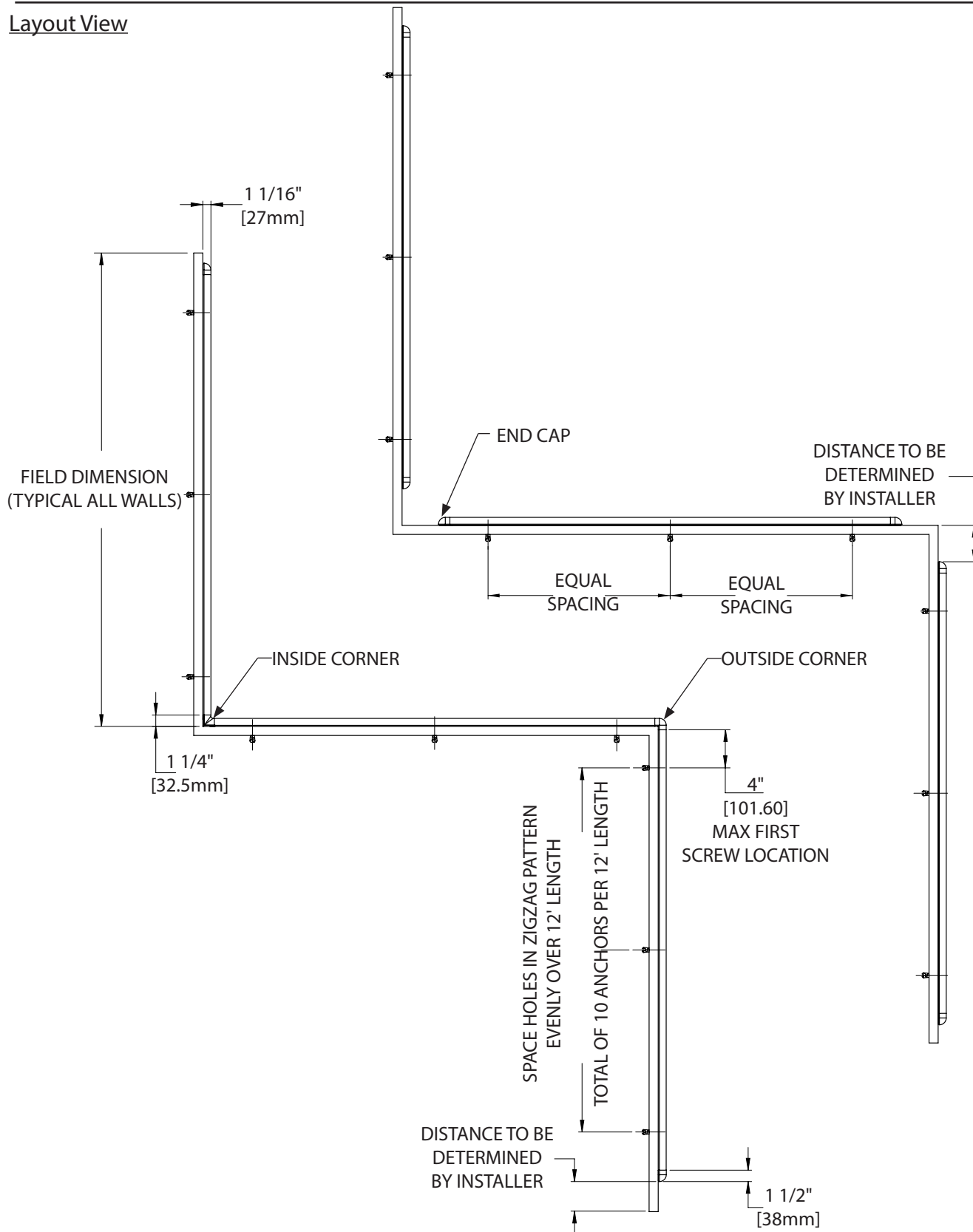
A DIVISION OF INPRO®

Installation Instructions

1800/G2-1800 Wall Guard

Please read all instructions before installing Wall Guard.

Layout View



Installation Hotline . 866.EZINPRO

Inprocorp.com . 800.222.5556 . 262.679.9010

World Headquarters S80 W18766 Apollo Drive, Muskego, WI 53150 USA

IPC® •

DOOR + WALL PROTECTION SYSTEMS

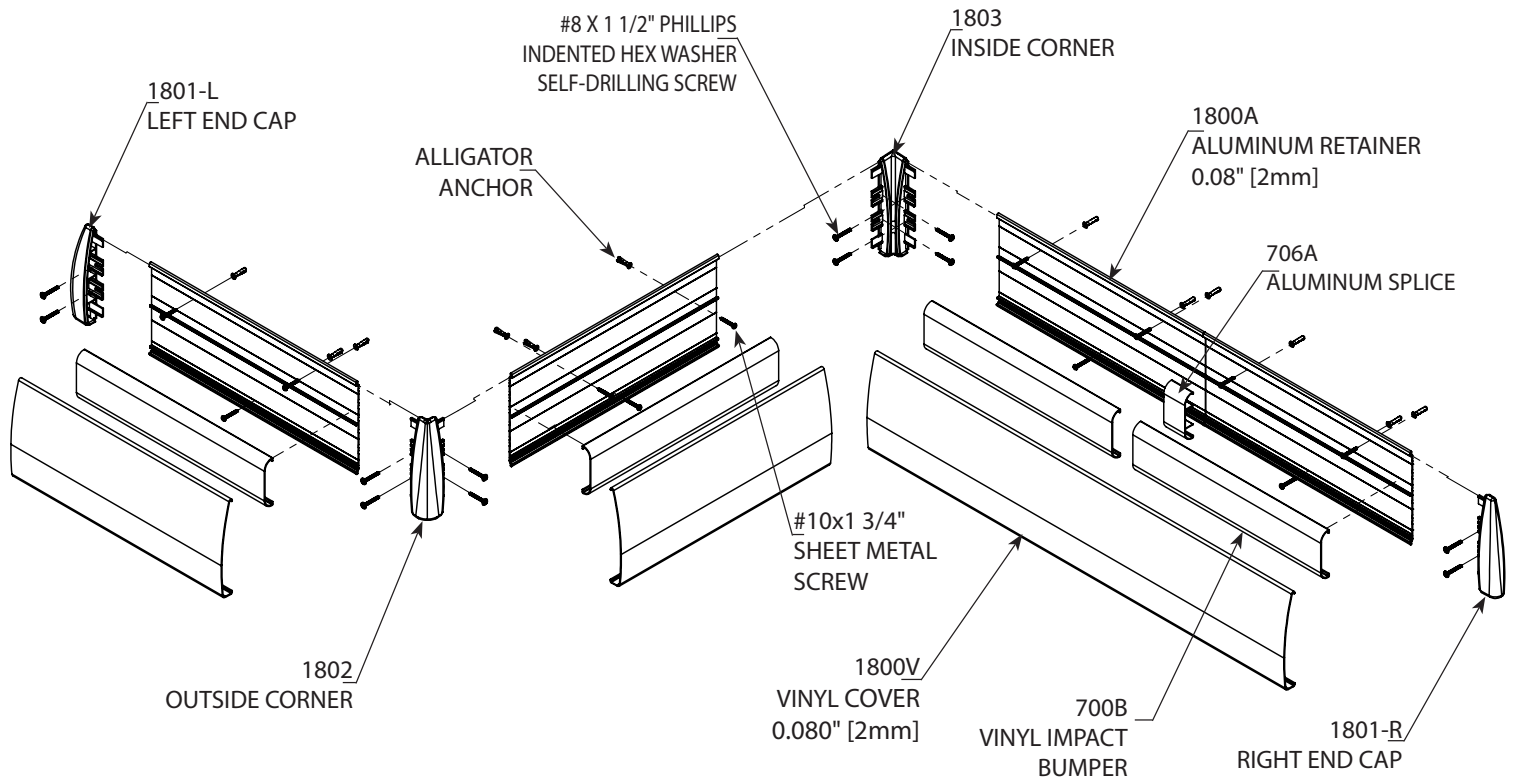
A DIVISION OF INPRO®

Installation Instructions

1800/G2-1800 Wall Guard

Exploded Assembly View

Please read all instructions before installing Wall Guard.



Installation Hotline . 866.EZINPRO

Inprocorp.com . 800.222.5556 . 262.679.9010

World Headquarters S80 W18766 Apollo Drive, Muskego, WI 53150 USA

IPC® •

DOOR + WALL PROTECTION SYSTEMS

A DIVISION OF INPRO®

Installation Instructions

1800/G2-1800 Wall Guard

Please read all instructions before installing Wall Guard.

FIG. 1

1. Cut aluminum retainer to desired length, leaving allowance for end caps, inside corners and outside corners. See figure 1.

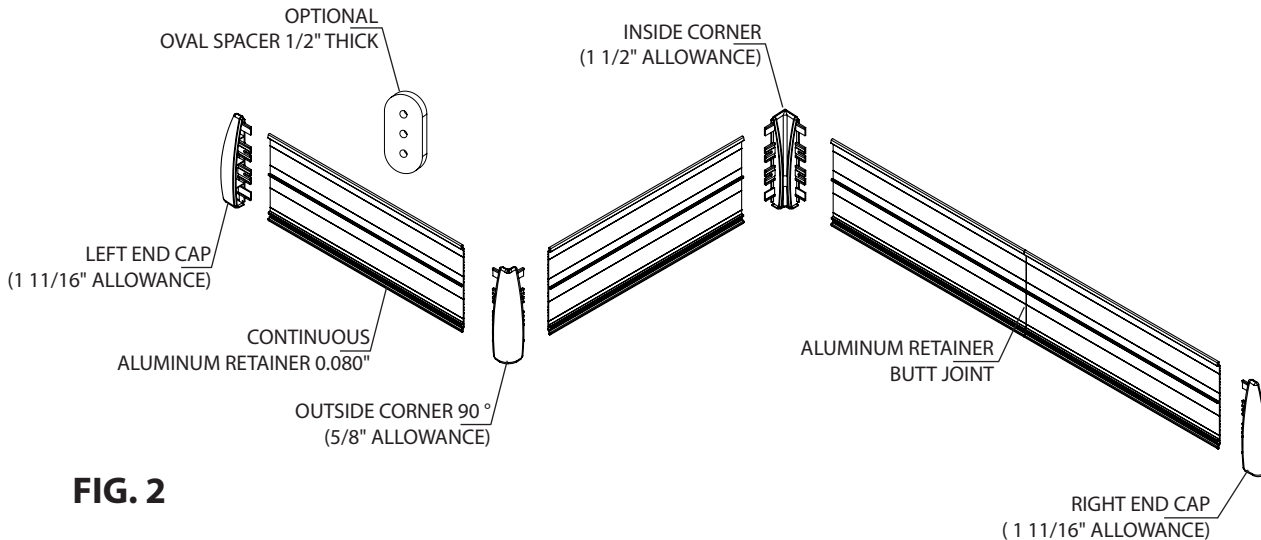


FIG. 2

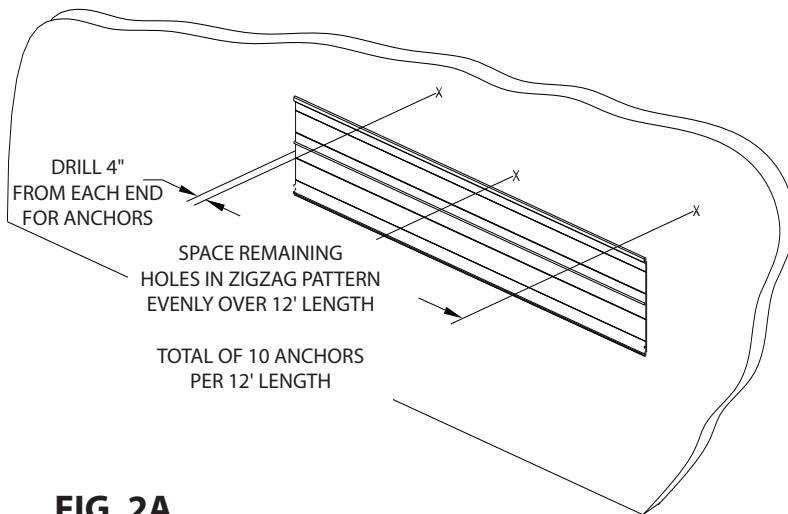
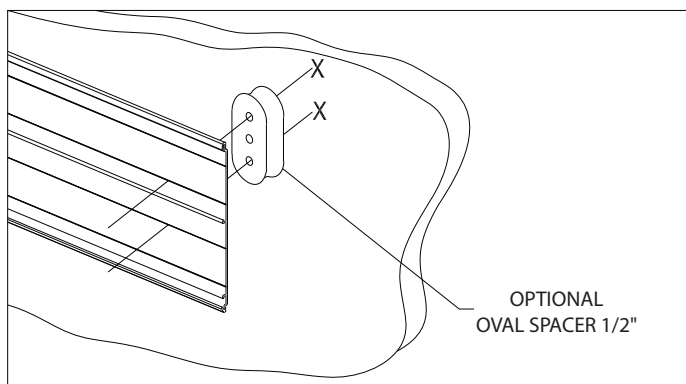


FIG. 2A



2. Drill holes along the top and bottom "V-grooves" of retainer in a "zigzag" pattern using 1/4" [6mm] drill bit. Position retainer on wall allowing for end caps/corners. Level retainer and mark holes. See figure 2.

NOTE: For concrete or brick wall installation, drill 1/4" [6mm] holes, 3/8" [10mm] from each end of retainer for end caps/corners.

NOTE: If using rubber spacers, use the spacer as a template to mark holes when drilling the retainer. See figure 2A.

Installation Hotline . 866.EZINPRO

Inprocorp.com . 800.222.5556 . 262.679.9010

World Headquarters S80 W18766 Apollo Drive, Muskego, WI 53150 USA

IPC®

DOOR + WALL PROTECTION SYSTEMS

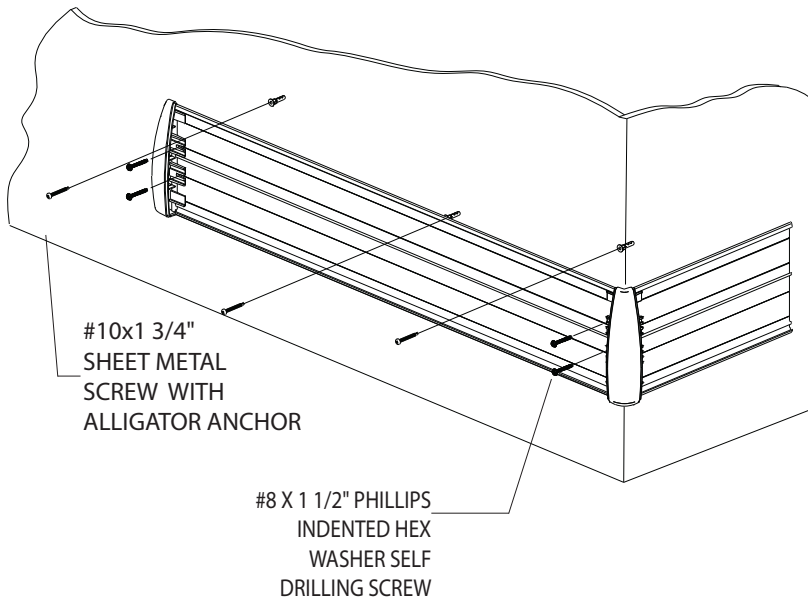
A DIVISION OF INPRO®

Installation Instructions

1800/G2-1800 Wall Guard

Please read all instructions before installing Wall Guard.

FIG. 3



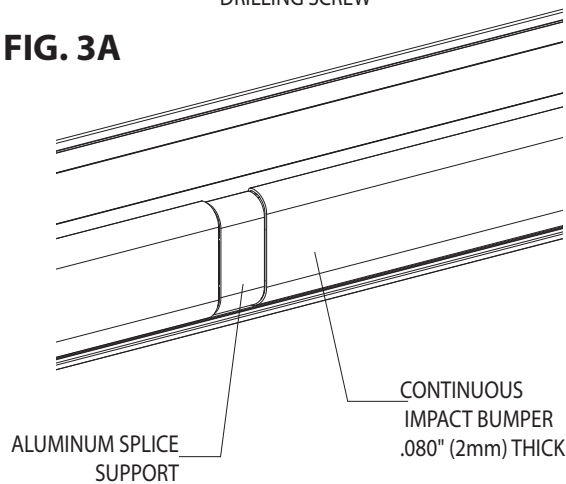
3. Drill marked holes on wall using a 1/4" [6mm] drill bit and position Alligator anchors into holes. Mount retainer on wall and tighten screws to secure. Slide end caps and corners onto the retainer and secure, leaving a 1/16" [1.5mm] gap between returns/corners and retainer to allow for adjustment. See figure 3.

With lengths over 12', an aluminum splice support is recommended behind butt joints for added support. Snap in place behind the vinyl cover butt joints. See figure 3A.

NOTE: For concrete or brick wall installation, use #10 x 13/4" Phillips pan head screws to secure end caps and corners.

NOTE: If rubber spacers are used, attach them behind the retainer at all mounting hole locations, including those for end caps and corners.

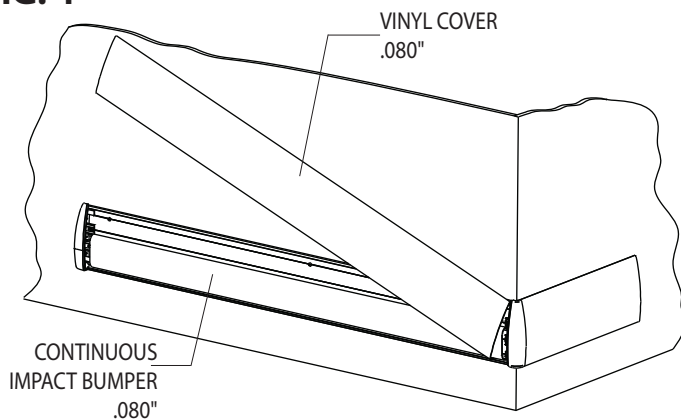
FIG. 3A



4. Cut the impact bumper to the length between the inside edge of the end caps/corners. Position and snap bumper in place. Cut the cover to length between end caps and/or corners.

(Note: Trim factory edges square before installation). Position cover on retainer and adjust returns and/or corners for a tight fit. Starting at one end, push cover over the retainer until it snaps into place. See figure 4.

FIG. 4



Installation Hotline . 866.EZINPRO

Inprocorp.com . 800.222.5556 . 262.679.9010

World Headquarters S80 W18766 Apollo Drive, Muskego, WI 53150 USA

IPC®

DOOR + WALL PROTECTION SYSTEMS

A DIVISION OF INPRO®