

Installation Instructions

Joint System: 223 - A07

Note: Verify that the structural gap and blockout dimensions are in conformance with submittal data before beginning installation. If this is a Fire Rated Assembly, the fire barrier must be installed before the Architectural Joint System. Refer to the fire barrier instructions for specific system installation.

Figure 1 (223-A07 Wall to Wall shown)

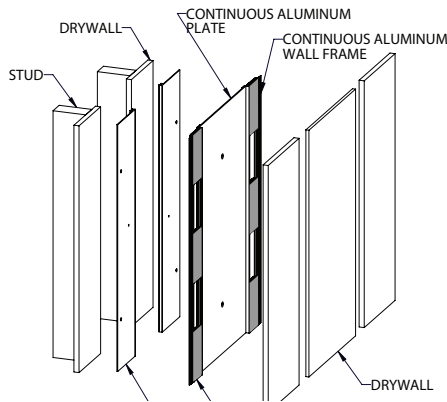


Figure 2

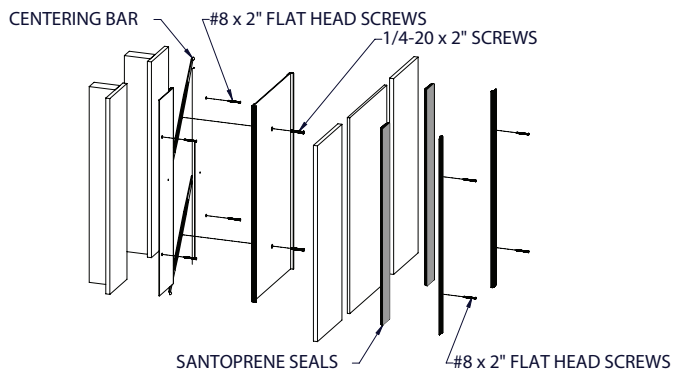
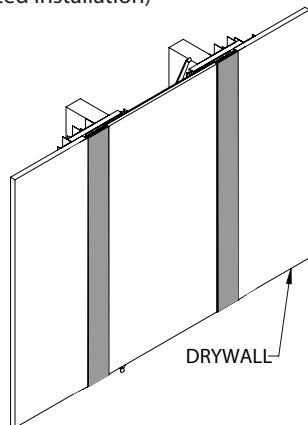


Figure 3

(223-A07 completed installation)



1. Recess 5/8" [15mm] drywall as per the architectural drawings.

Figure 1

2. Cut the aluminum components to the required length. Attached the continuous Aluminum Wall Frames (J1A030-F) to the wall using #8 x 2" [50mm] flat head screws (JK061) 18" [457mm] on center.

Figure 2

3. Attach the Continuous Aluminum Recessed Frames using #8 x 2" [50mm] flat head screws (JK061) 18" [457mm] on center.
4. Assemble the continuous aluminum plate and centering bars using 1/4-20 x 2" [50mm] screws. Align centering bars parallel to the recessed plate.
5. Position the assembled continuous aluminum plate onto the recessed frames. Tighten the screws to engage the centering bars in the recessed frames.
6. Press the Santoprene seal into the frames.

Figure 3

7. Feather and finish flanges with joint compound. Attach drywall as needed to complete the installation.

IPC.935/REV.1

JOINTMASTER® Expansion Joint Systems

inpro.com • 800.222.5556 • 262.679.9010

World Headquarters S80 W18766 Apollo Drive, Muskego, WI 53150 USA

Installation Hotline: 866.394.6776

inpro®