

223 Series

A01 - Floor to Floor

A02 - Floor to Wall



Movement Rating \pm 25% - 50%

Product Guide



Thermal



Exterior



Interior



Fire Rated Option



Vapor Barrier Option



Seismic

- ▶ Recessed cover plate accepts 3/8" [9mm] flooring minimizing the system sightline
- ▶ Recessed mount frames for minimal sightline, adaptable with many floor finishes
- ▶ Dual durometer seal provides secure fit and optimal flexibility
- ▶ Standard seal colors: black, beige, gray, off white, and bright white. Custom colors available.
- ▶ Snap fit design for easy on-site assembly.
- ▶ Seals absorb limited seismic movement

Application	System	W		H1		H2		S		B		Movement +/-			
		Joint Width		Frame Height 1		Height 2		Sightline		Blockout		Horizontal		Vertical	
		US	mm	US	mm	US	mm	US	mm	US	mm	US	mm	US	mm
Floor to Floor	223-A01-050	2"	51	5/8"	16	3/8"	10	2"	51	1 1/2"	13	1"	25	1"	25
	223-A01-075	3"	76	5/8"	16	3/8"	10	3"	76	2 3/4"	70	1 1/2"	38	1 1/2"	38
	223-A01-100	4"	102	5/8"	16	3/8"	10	4"	100	2 3/4"	70	2"	51	2"	51
	223-A01-150	6"	152	5/8"	16	3/8"	10	4"	100	2 3/4"	70	3"	75	3"	75
	223-A01-200	8"	200	5/8"	16	1/4"	7	6"	152	5"	114	4"	102	4"	102
	223-A01-250	10"	250	5/8"	16	1/4"	7	6"	152	5 1/2"	114	5"	125	5"	125
	223-A01-300	12"	300	5/8"	16	1/4"	7	6"	152	6"	114	6"	152	6"	152
	223-A01-350	14"	350	5/8"	16	1/4"	7	6"	152	6 1/2"	114	7"	178	7"	178
	223-A01-400	16"	400	5/8"	16	1/4"	7	6"	152	7"	114	8"	203	8"	203
223-A01-450	18"	450	5/8"	16	1/4"	7	6"	152	7 1/2"	114	9"	228	9"	228	
Floor to Wall	223-A02-050	2"	51	5/8"	16	3/8"	10	1"	25	1 1/2"	13	1/2"	13	1/2"	13
	223LP-A02-075	3"	76	5/8"	16	3/8"	10	1 1/2"	38	2 3/4"	70	3/4"	19	3/4"	19
	223-A02-100	4"	102	5/8"	16	3/8"	10	2"	51	2 3/4"	70	1"	25	1"	25
	223LP-A02-150	6"	152	5/8"	16	3/8"	10	2"	51	2 3/4"	70	1 1/2"	38	1 1/2"	38
	223-A02-200	8"	200	5/8"	16	1/4"	7	3"	76	5"	114	2"	51	2"	51
	223-A02-250	10"	250	5/8"	16	1/4"	7	3"	76	5 1/2"	114	2 1/2"	64	2 1/2"	64
	223-A02-300	12"	300	5/8"	16	1/4"	7	3"	76	6"	114	3"	76	3"	76
	223-A02-350	14"	350	5/8"	16	1/4"	7	3"	76	6 1/2"	114	3 1/2"	89	3 1/2"	89
	223-A02-400	16"	400	5/8"	16	1/4"	7	3"	76	7"	114	4"	102	4"	102
223-A02-450	18"	450	5/8"	16	1/4"	7	3"	76	7 1/2"	114	4 1/2"	114	4 1/2"	114	

May be available in larger widths, please contact Inpro Corporation for more details.

IPC.761/REV.8

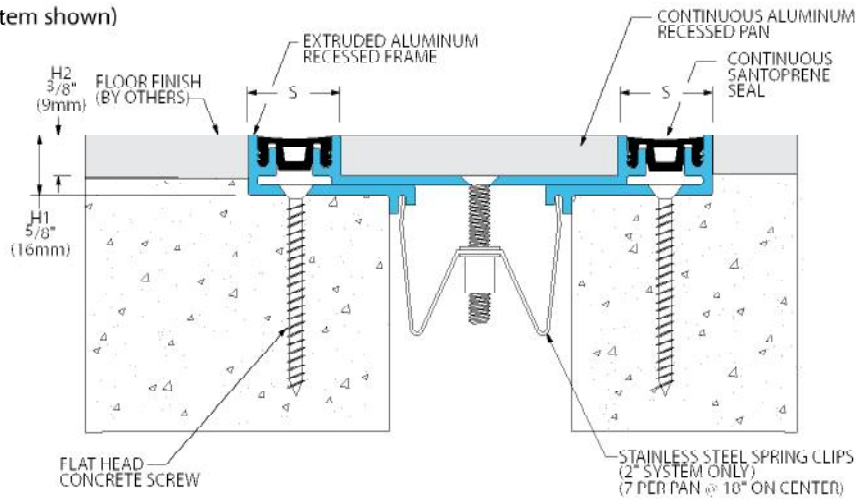
Inprocorp.com • 800.222.5556 • 262.679.9010
 World Headquarters S80 W18766 Apollo Drive, Muskego, WI 53150 USA

JOINTMASTER®
 EXPANSION JOINT SYSTEMS
 A DIVISION OF INPRO®

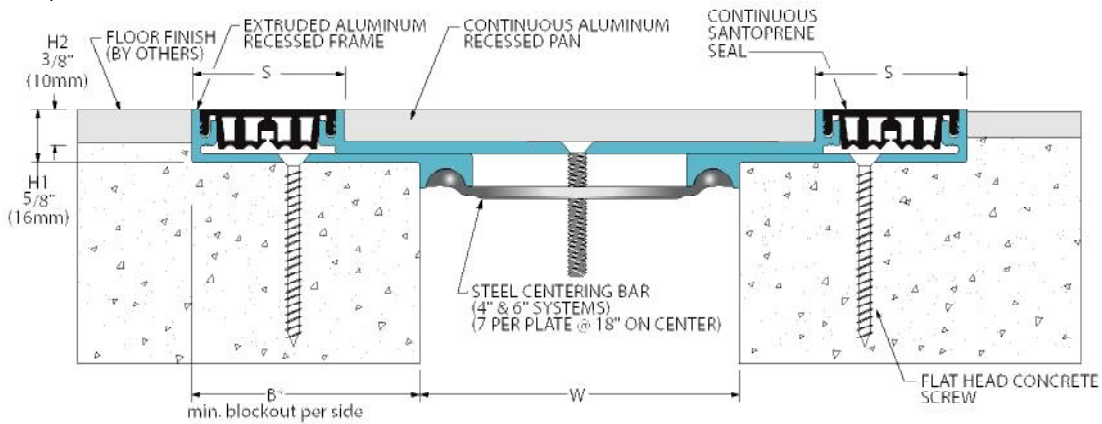
223 Series

Recessed Mount Seismic Floor and Wall Systems

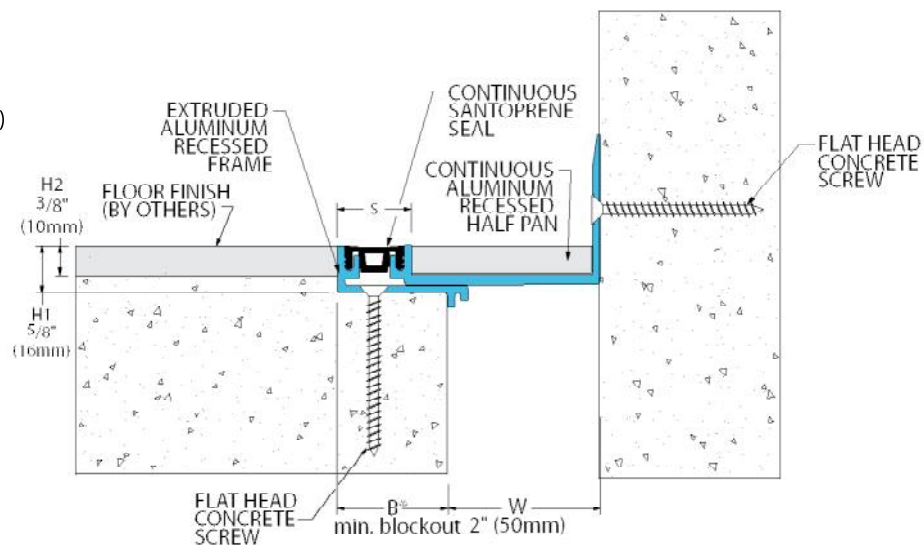
A01 Floor/Floor
(223-A01-050 (2") system shown)



A01 Floor/Floor
(223-A01-100 (4") system shown)



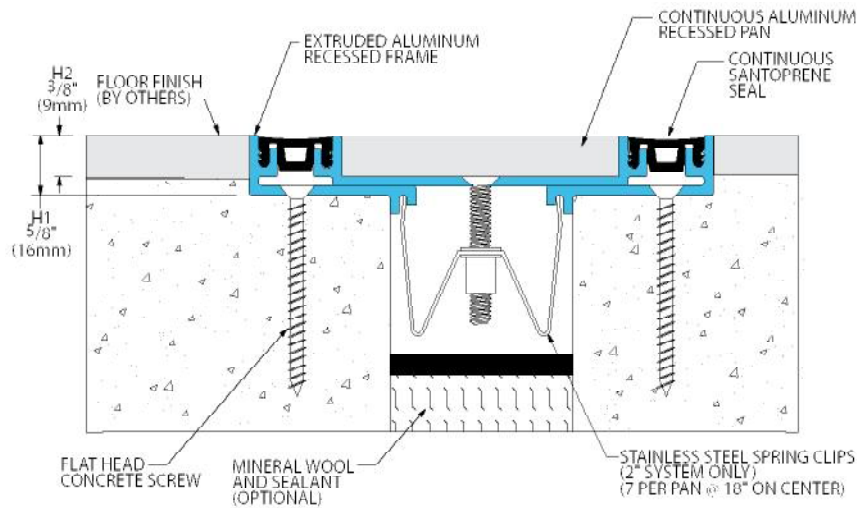
A02 Floor/Wall
(223-A01-050 (2") system shown)



223 Series

Options

Fire Barrier System
(223-A01-050 system shown)



Vapor Barrier System
(223-A01-100 system shown)

