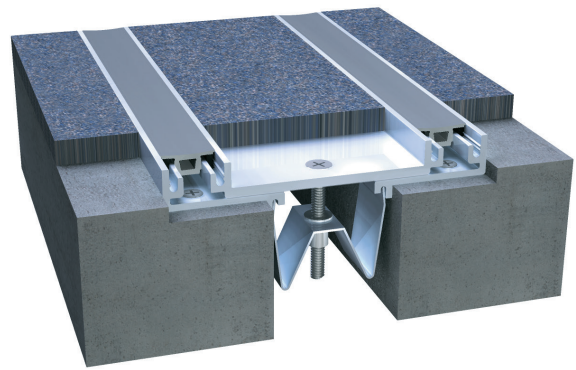


223 Series

A01 - Floor to Floor

A02 - Floor to Wall



Movement Rating \pm 50%

Product Guide



Thermal



Exterior



Interior



Fire Rated
Option



Vapor Barrier
Option



Seismic

- ▶ Recessed cover plate accepts 3/8" [9mm] / 1/4" [6mm] flooring minimizing the impact to interior aesthetics.
- ▶ Coextruded seals incorporate tough face seals with reinforcing support for long lifecycles
- ▶ Snap fit design for easy on-site assembly.
- ▶ Seals absorb daily thermal movement.

- ▶ Flat seals characteristics:
 - Coextruded seals incorporate tough face seals with reinforcing support for long lifecycles.
 - All flat seals are GREENGUARD Gold certified for low VOC requirements.
 - Seals are heat weldable for watertight seams and transitions.
 - Flat Seals are offered in 5 standard colors to match adjacent wall finishes.

Application	System	W		H1		H2		S		B		Movement +/-			
		Joint Width		Frame Height 1		Frame Height 2		Sightline		Blockout		Horizontal		Vertical	
		US	mm	US	mm	US	mm	US	mm	US	mm	US	mm	US	mm
Floor to Floor	223-A01-050	2"	51	5/8"	16	3/8"	10	2"	51	1 1/2"	13	1"	25	1"	25
	223-A01-075	3"	76	5/8"	16	3/8"	10	3"	75	2 3/4"	70	1 1/2"	38	1 1/2"	38
	223-A01-100	4"	102	5/8"	16	3/8"	10	4"	102	2 3/4"	70	2"	51	2"	51
	223-A01-150	6"	152	5/8"	16	3/8"	10	4"	102	2 3/4"	70	3"	75	3"	75
	223-A01-200	8"	203	5/8"	16	1/4"	6	4"	102	4 3/8"	110	4"	102	4"	102
	223-A01-250	10"	254	5/8"	16	1/4"	6	4"	102	4 1/2"	114	5"	125	5"	125
	223-A01-300	12"	305	5/8"	16	1/4"	6	4"	102	4 15/16"	126	6"	152	6"	152
	223-A01-350	14"	350	5/8"	16	1/4"	6	4"	102	6 3/16"	158	7"	178	7"	178
	223-A01-400	16"	400	5/8"	16	1/4"	6	4"	102	6 11/16"	170	8"	203	8"	203
223-A01-450	18"	457	5/8"	16	1/4"	6	4"	102	6 7/16"	164	9"	228	9"	228	
Floor to Wall	223-A02-050	2"	51	5/8"	16	3/8"	10	1"	25	1 1/2"	13	1/2"	13	1/2"	13
	223-A02-075L	3"	76	5/8"	16	3/8"	10	1 1/2"	38	2 3/4"	70	3/4"	19	3/4"	19
	223-A02-100	4"	102	5/8"	16	3/8"	10	2"	50	2 3/4"	70	1"	25	1"	25
	223-A02-150L	6"	152	5/8"	16	3/8"	10	2"	50	2 3/4"	70	1 1/2"	38	1 1/2"	38
	223-A02-200L	8"	200	5/8"	16	1/4"	6	2"	50	4 3/8"	110	2"	51	2"	51
	223-A02-250L	10"	250	5/8"	16	1/4"	6	2"	50	4 1/2"	114	2 1/2"	64	2 1/2"	64
	223-A02-300L	12"	300	5/8"	16	1/4"	6	2"	50	4 15/16"	114	3"	76	3"	76
	223-A02-350	14"	350	5/8"	16	1/4"	6	2"	50	6 3/16"	158	3 1/2"	89	3 1/2"	89
	223-A02-400	16"	400	5/8"	16	1/4"	6	2"	50	6 11/16"	170	4"	102	4"	102
223-A02-450L	18"	450	5/8"	16	1/4"	6	2"	50	6 7/16"	164	4 1/2"	114	4 1/2"	114	

May be available in larger widths, please contact Inpro Corporation for more details.

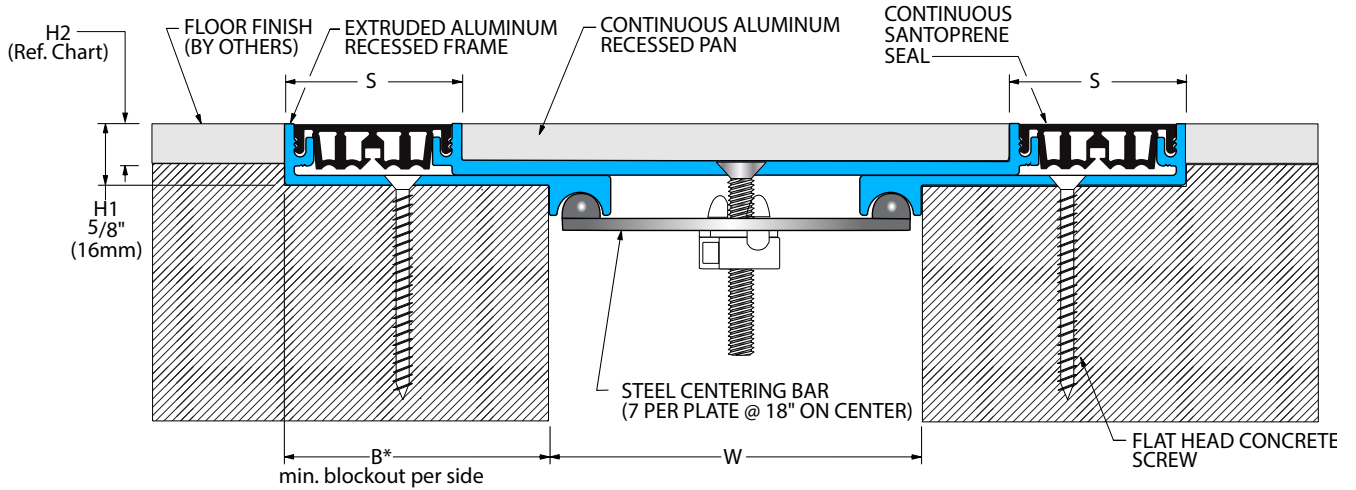
* Sightline for A07 system is the combined width of two flat seals

IPC.761/REV.9

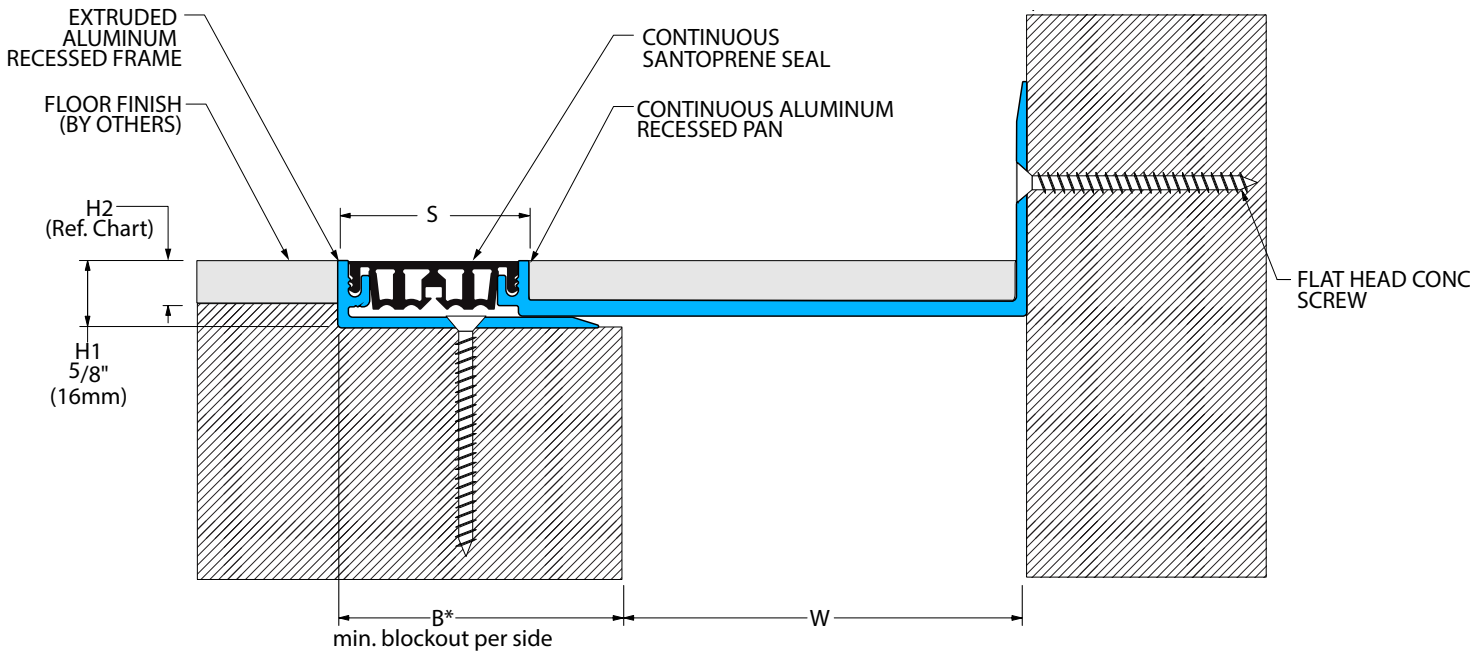
223 Series

Recessed Mount Seismic Floor and Wall Systems

A01 Floor/Floor
(223-A01-100 (4") system shown)



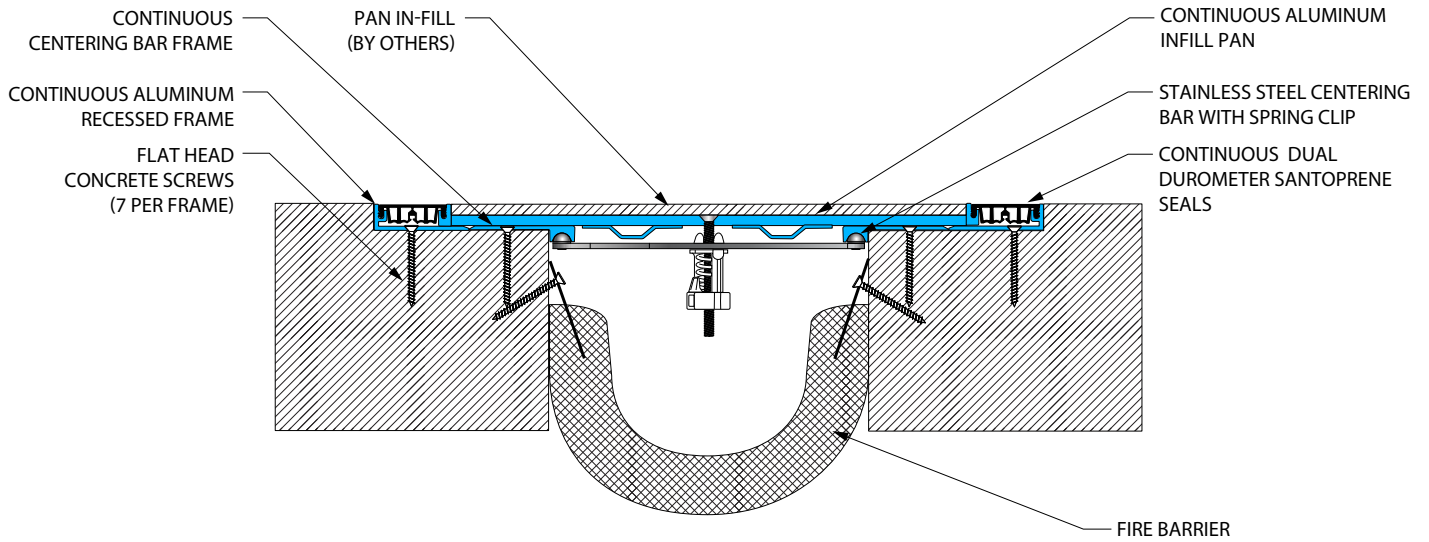
A02 Floor/Wall
(223-A01-100 (4") system shown)



223 Series

Options

Fire Barrier System
(223-A01-200 system shown)



Vapor Barrier System
(223-A01-200 system shown)

