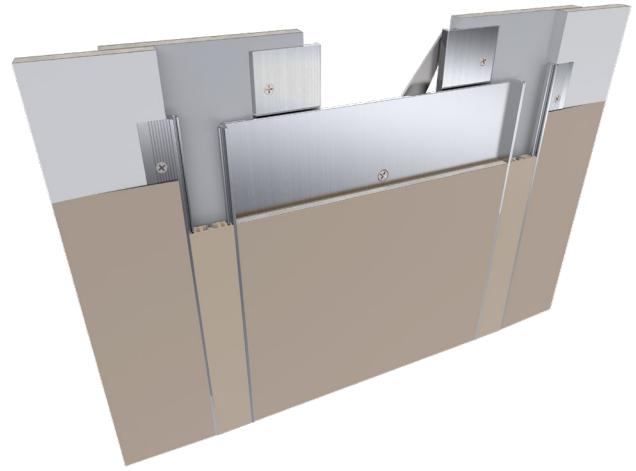


223 Series

A07 -Wall to Wall
A09 - Wall to Corner



Movement Rating: ± 50%

Product Guide



- ▶ Recessed mount frames for minimal sightline
- ▶ Designed for 5/8" (16mm) drywall installations
- ▶ Pan uses 3/8" (10mm) drywall to maintain wall finish through joint span
- ▶ Excellent thermal and seismic movement accommodations
- ▶ Seals absorb daily thermal movement.
- ▶ Flat seals characteristics:
 - Coextruded seals incorporate tough face seals with reinforcing support for long lifecycles.
 - All flat seals are GREENGUARD Gold certified for low VOC requirements.
 - Seals are heat weldable for watertight seams and transitions.
 - Flat Seals are offered in 5 standard colors to match adjacent wall finishes.

Application	System	W		H1		H2		S		B		Movement +/-			
		Joint Width		Frame Height 1		Height 2		Sightline*		Blockout		Horizontal		Vertical	
		US	mm	US	mm	US	mm	US	mm	US	mm	US	mm	US	mm
Floor to Floor	223-A07-050	2"	51	5/8"	16	3/8"	10	4"	102	1 1/2"	13	1"	25	1"	25
	223-A07-075	3"	76	5/8"	16	3/8"	10	4"	102	2 3/4"	70	1 1/2"	38	1 1/2"	38
	223-A07-100	4"	102	5/8"	16	3/8"	10	4"	102	2 3/4"	70	2"	51	2"	51
	223-A07-150	6"	152	5/8"	16	3/8"	10	4"	102	2 3/4"	70	3"	75	3"	75
	223-A07-200	8"	203	5/8"	16	3/8"	10	4"	102	4 3/8"	110	4"	102	4"	102
	223-A07-250	10"	254	5/8"	16	3/8"	10	4"	102	4 1/2"	114	5"	125	5"	125
	223-A07-300	12"	305	5/8"	16	3/8"	10	4"	102	4 15/16"	126	6"	152	6"	152
	223-A07-350	14"	350	5/8"	16	3/8"	10	4"	102	6 3/16"	158	7"	178	7"	178
	223-A07-400	16"	400	5/8"	16	3/8"	10	4"	102	6 11/16"	170	8"	203	8"	203
223-A07-450	18"	457	5/8"	16	3/8"	10	4"	102	6 7/16"	164	9"	228	9"	228	
Floor to Wall	223-A09-050	2"	51	5/8"	16	3/8"	10	2"	50	1 1/2"	13	1/2"	13	1/2"	13
	223-A09-075L	3"	76	5/8"	16	3/8"	10	2"	50	2 3/4"	70	3/4"	19	3/4"	19
	223-A09-100	4"	102	5/8"	16	3/8"	10	2"	50	2 3/4"	70	1"	25	1"	25
	223-A09-150L	6"	152	5/8"	16	3/8"	10	2"	50	2 3/4"	70	1 1/2"	38	1 1/2"	38
	223-A09-200L	8"	200	5/8"	16	3/8"	10	2"	50	4 3/8"	110	2"	51	2"	51
	223-A09-250L	10"	250	5/8"	16	3/8"	10	2"	50	4 1/2"	114	2 1/2"	64	2 1/2"	64
	223-A09-300L	12"	300	5/8"	16	3/8"	10	2"	50	4 15/16"	114	3"	76	3"	76
	223-A09-350	14"	350	5/8"	16	3/8"	10	2"	50	6 3/16"	158	7"	178	7"	178
	223-A09-400	16"	400	5/8"	16	3/8"	10	2"	50	6 11/16"	170	8"	203	8"	203
223-A09-450L	18"	450	5/8"	16	3/8"	10	2"	50	6 7/19"	164	4 1/2"	114	4 1/2"	114	

Available in larger widths, please contact Inpro Corporation for more details.

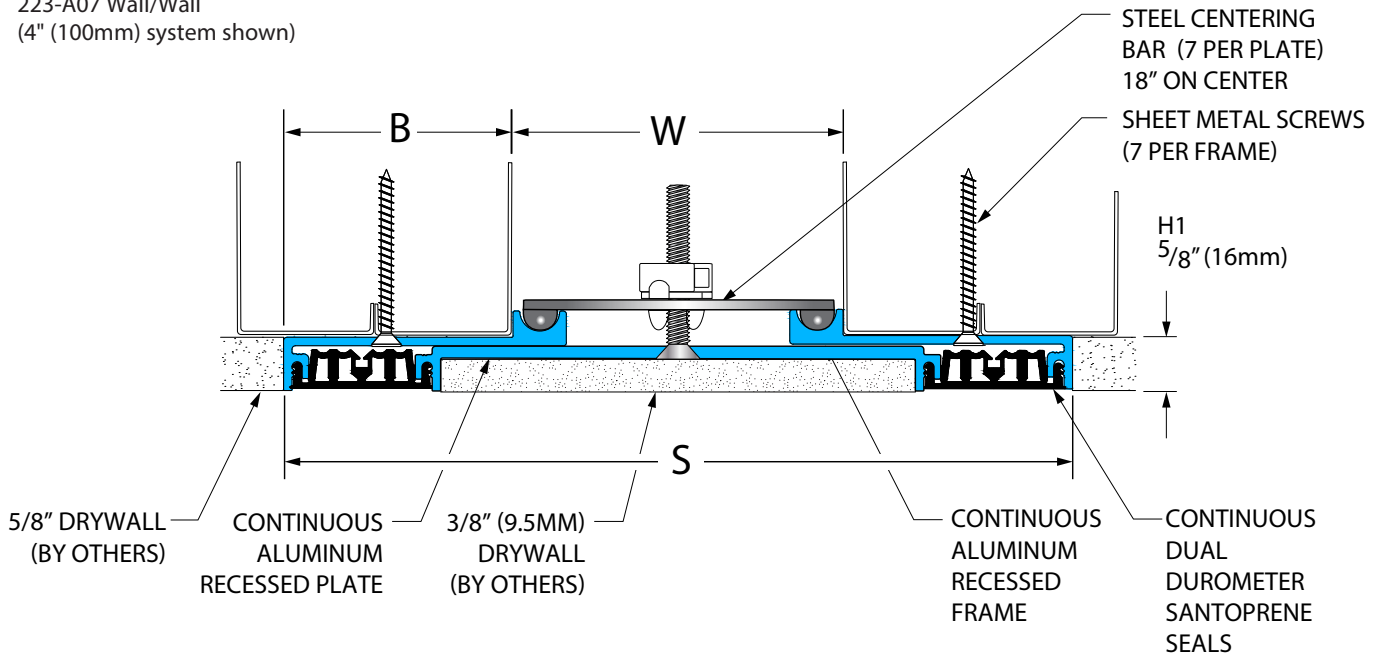
* Sightline for A07 system is split between two 2"[50mm] wide flat seals

IPC.1566/REV.5

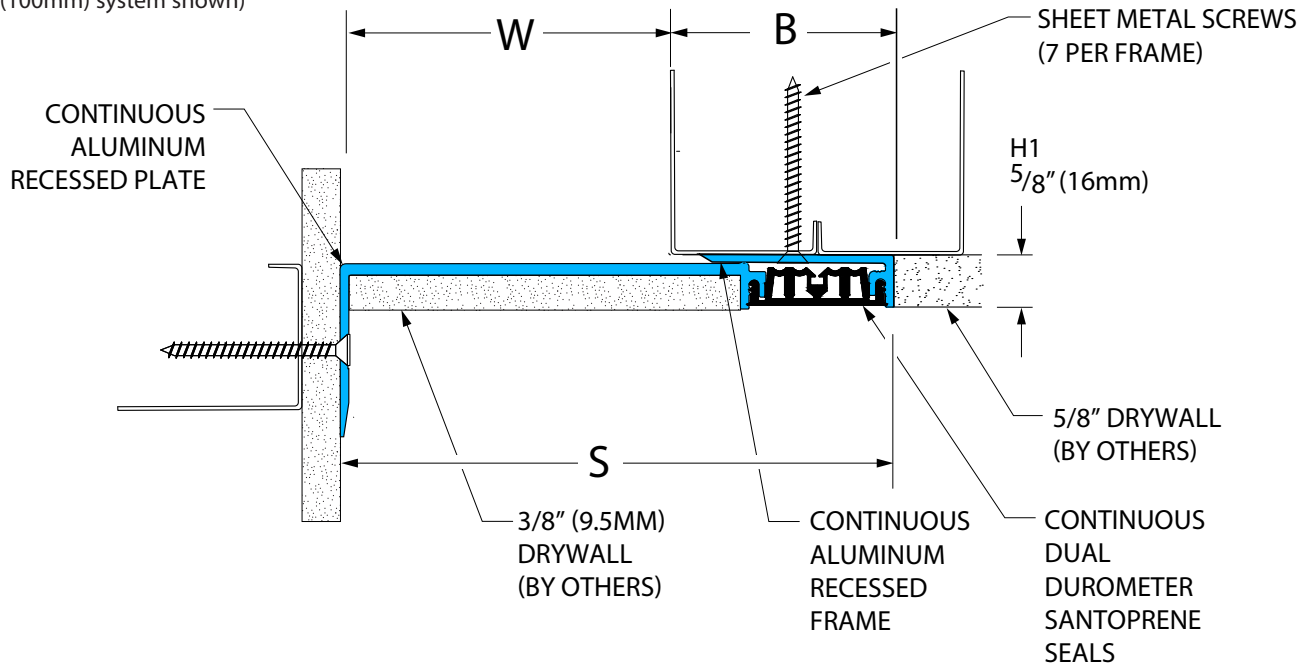
223 Series

Recessed Mount Floor and Wall Systems

223-A07 Wall/Wall
(4" (100mm) system shown)



223-A09 Wall/Corner
(4" (100mm) system shown)

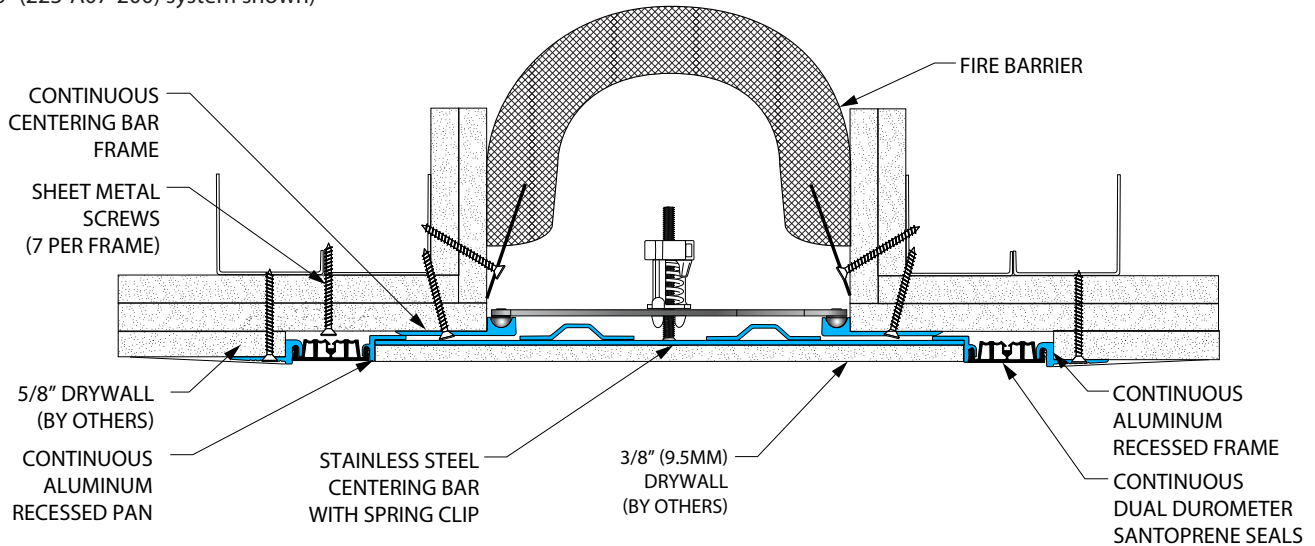


223 Series

Recessed Mount Floor and Wall Systems

223 Series Options

Fire Blanket System
 (8" (223-A07-200) system shown)



Vapor Barrier System
 (8" (223-A07-200) system shown)

