

Installation Instructions

Joint System: 223 - A09

Note: Verify that the structural gap and blockout dimensions are in conformance with submittal data before beginning installation. If this is a Fire Rated Assembly, the fire barrier must be installed before the Architectural Joint System. Refer to the fire barrier instructions for specific system installation.

Figure 1 (223-A09 Wall to Corner shown)

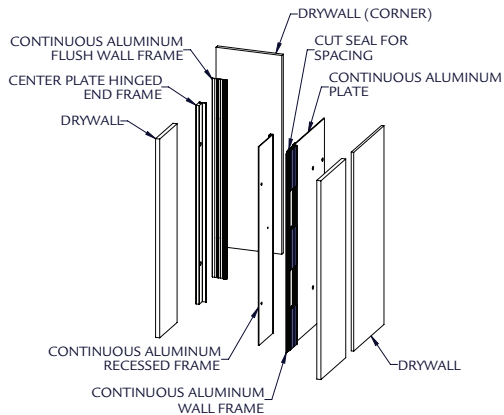


Figure 2

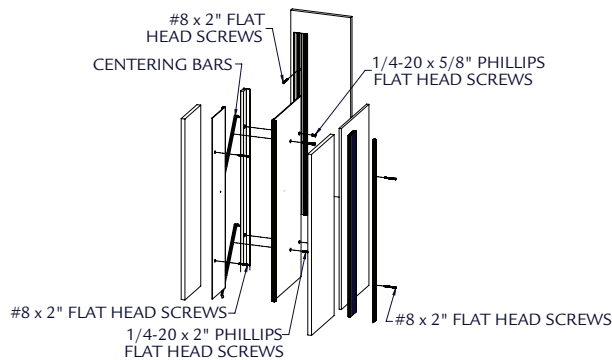
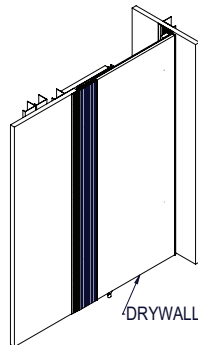


Figure 3
(223-A09 completed installation)



1. Recess 5/8" drywall as per the architectural drawings.

Figure 1

2. Cut the aluminum components to the required length. Attach the continuous Aluminum Wall Frame (J1A030-F) to the wall using #8 x 2" [50mm] flat head screws (JK061) 18" [457mm] on center.

Figure 2

3. Attach the Continuous Aluminum Recessed Frame using #8 x 2" [50mm] flat head screws (JK061) 18" [457mm] on center.
4. Slide the center plate hinged end frame into the continuous aluminum flush wall frame. Attach the Continuous Flush Wall Frames to the wall using #8 x 2" [50mm] flat head screws (JK061), 18" [457mm] on center.
5. Attach the Continuous Aluminum Recessed Frames to the wall using #8 x 2" flat head screws (JK061) 18" [457mm] on center.
6. Assemble the continuous aluminum plate and centering bars using 1/4-20 x 2" [50mm] screws. Align centering bars parallel to the recessed plate. Tighten the screws to engage the centering bars in the recessed frames.
7. Press the Santoprene seal into the frames.

Figure 3

8. Feather and finish flanges with joint compound. Attach drywall as needed to complete the installation.

IPC.936/REV.1

JOINTMASTER® Expansion Joint Systems

inpro.com • 800.222.5556 • 262.679.9010

World Headquarters S80 W18766 Apollo Drive, Muskego, WI 53150 USA

Installation Hotline: 866.394.6776

inpro®