

Installation Instructions

2700/2700W/G2-2700 Chair Rail

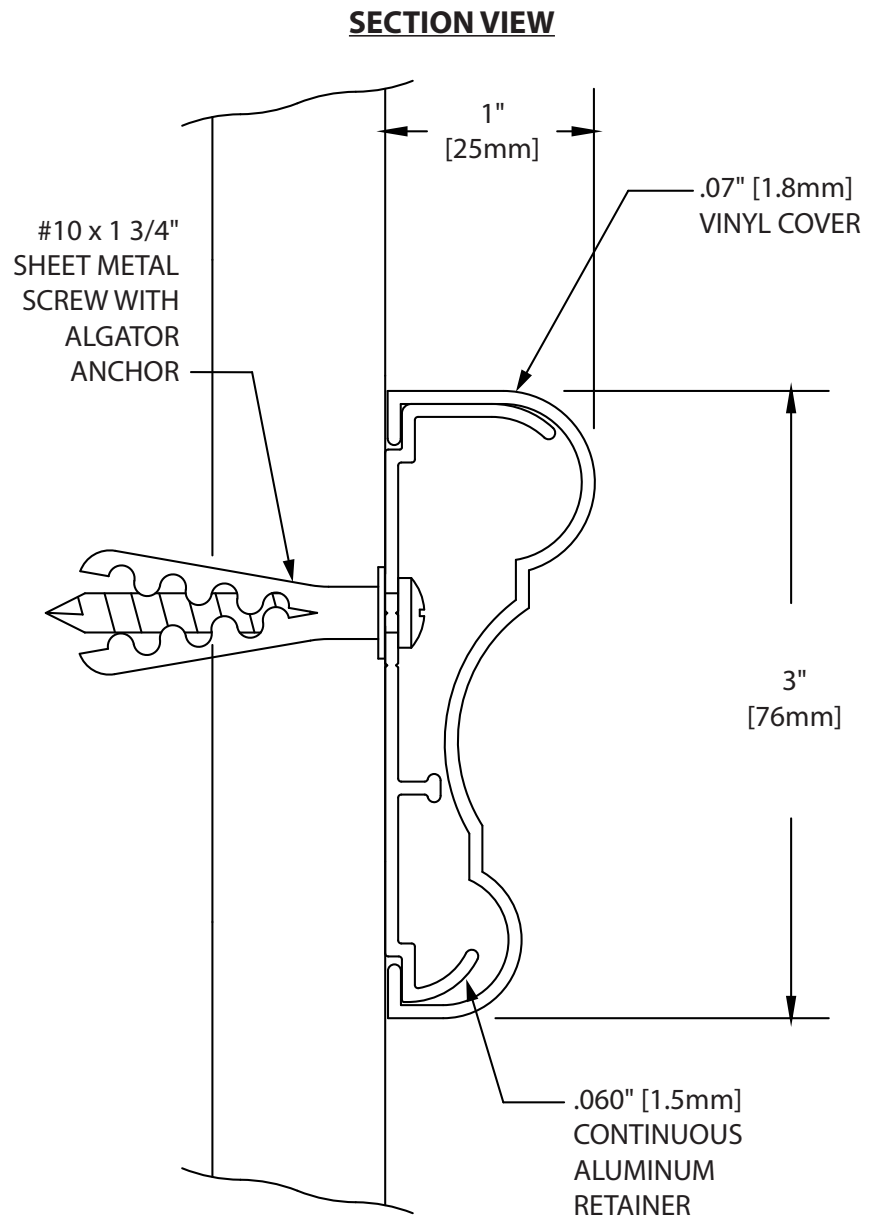
Please read all instructions before installing wallguard.

Important

1. Acclimate materials 24 hrs before installation. Maintain temperature controlled environment after installation.
2. Install in accordance with manufacturer's installation instructions. Failure to do so will void the warranty.

Installation tips

1. Cut covers up to 1/16" [1.6mm] longer to ensure a tight fit.
2. Lubricate blades when cutting aluminum to reduce burrs.



RECOMMENDED TOOLS

Safety Glasses, Tape Measure, Power Drill, Drill Bits - 1/4" masonry (concrete/concrete block), Power Miter Saw, 10" Blade with 60-80 Carbide Tipped Teeth

IPC.369/REV.9

IPC® Door + Wall Protection

inpro.com • 800.222.5556 • 262.679.9010

World Headquarters S80 W18766 Apollo Drive, Muskego, WI 53150 USA

Installation Hotline: 866.394.6776

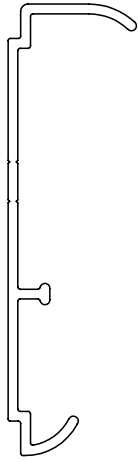
inpro®

Installation Instructions

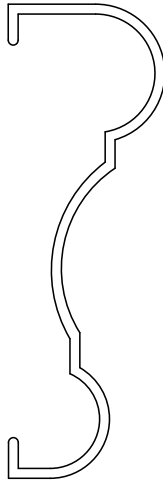
2700/2700W/G2-2700 Chair Rail

Please read all instructions before installing wallguard.

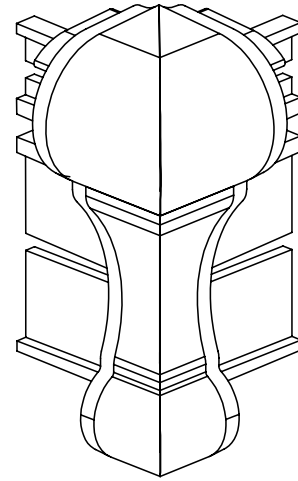
Components and Fasteners



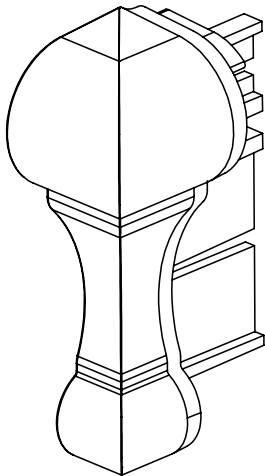
2600A
CONTINUOUS
ALUMINUM RETAINER



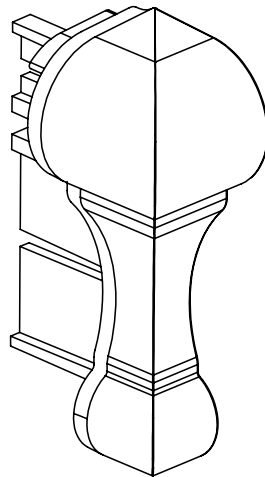
2600V
VINYL COVER



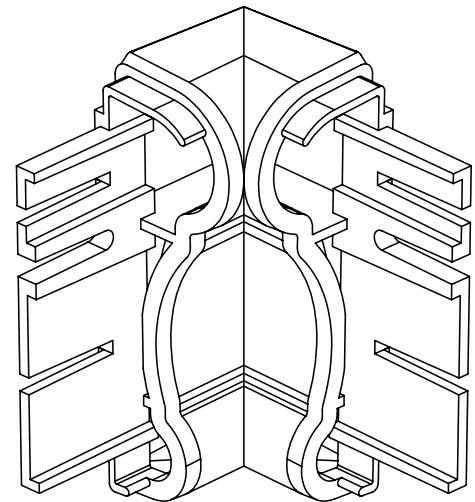
2602
OUTSIDE CORNER



2601-L
LEFT END CAP



2601-R
RIGHT END CAP



2603
INSIDE CORNER

| Wall Condition | Specified Fasteners | Inpro part # |
|-------------------------|--|--------------|
| Gypsum Wall | #10 1 3/4" Phillips pan head sheet metal screw with alligator anchor | HWK-WG/CR |
| Concrete/Concrete Block | #10 1 3/4" Phillips pan head sheet metal screw with alligator anchor | HWK-CC |
| Wood Stud/Gypsum Wall | #8 x 1 1/2" Phillips Indented Hex Washer Self-Drilling Screw #2PT ZP | HWK-CDW |

IPC® Door + Wall Protection

inpro.com • 800.222.5556 • 262.679.9010

World Headquarters S80 W18766 Apollo Drive, Muskego, WI 53150 USA

Installation Hotline: 866.394.6776

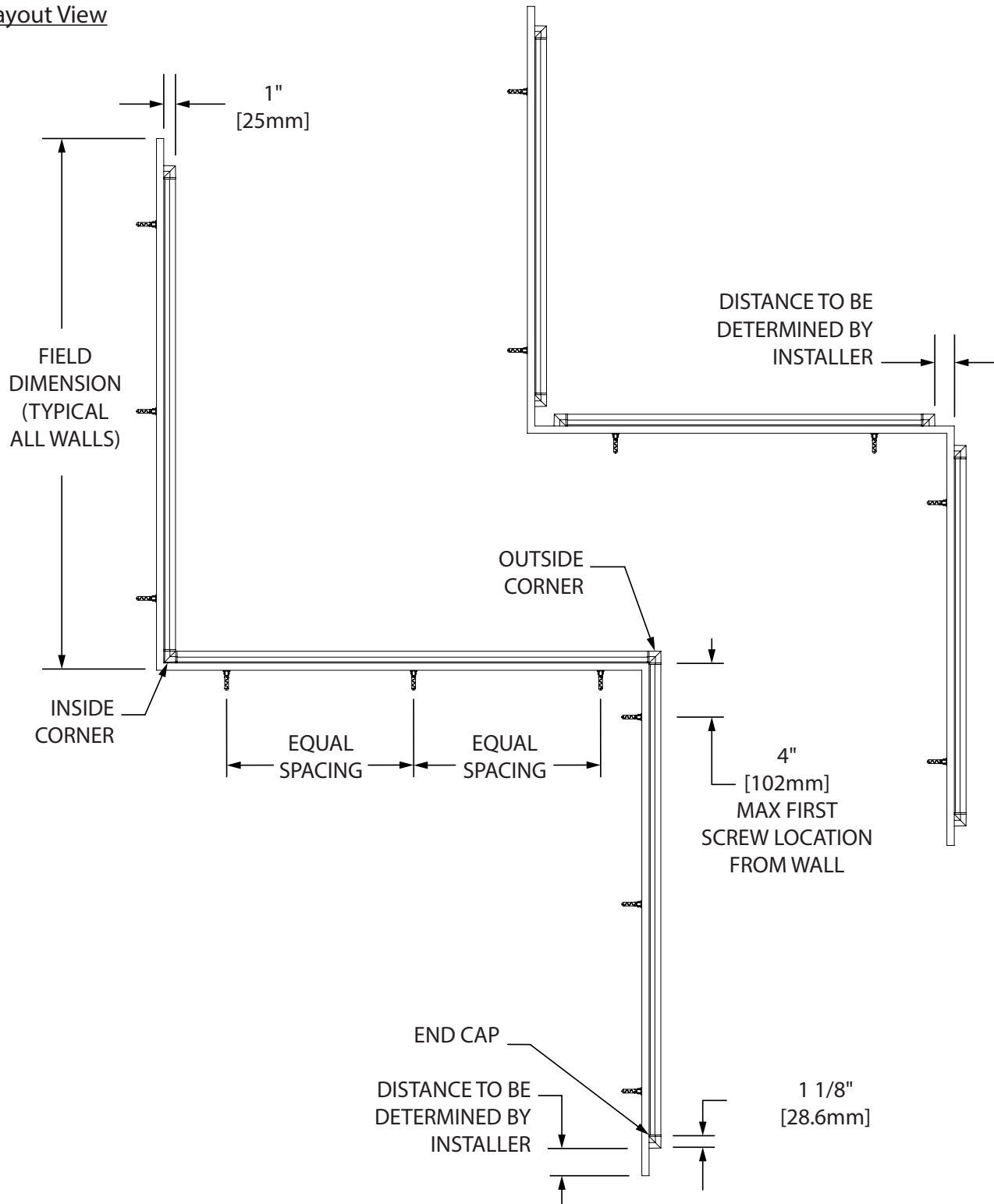
inpro®

Installation Instructions

2700/2700W/G2-2700 Chair Rail

Please read all instructions before installing wallguard.

Layout View



IPC® Door + Wall Protection

inpro.com • 800.222.5556 • 262.679.9010

World Headquarters S80 W18766 Apollo Drive, Muskego, WI 53150 USA

Installation Hotline: 866.394.6776

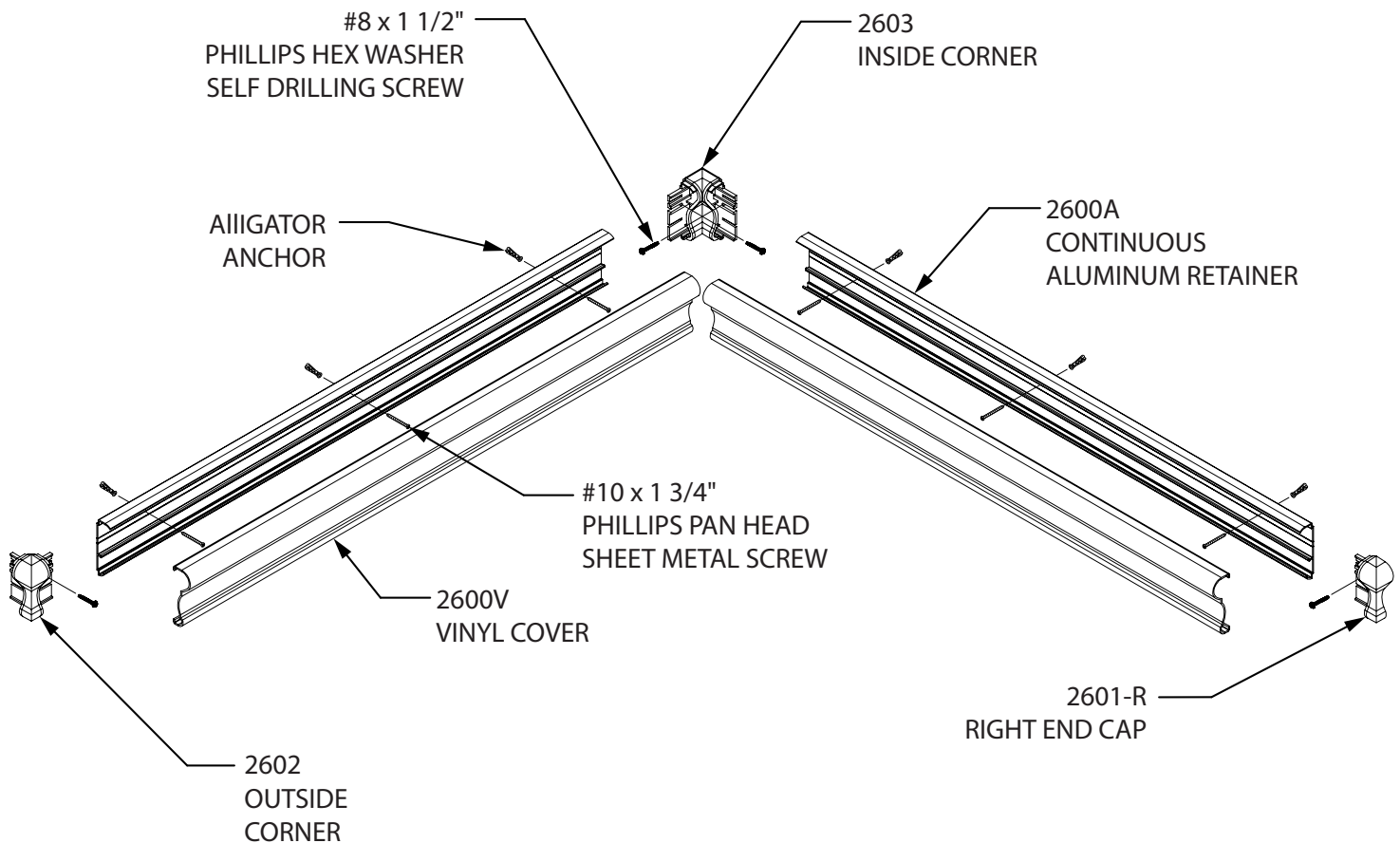
inpro®

Installation Instructions

2700/2700W/G2-2700 Chair Rail

Please read all instructions before installing wallguard.

Exploded Assembly View



IPC® Door + Wall Protection

inpro.com • 800.222.5556 • 262.679.9010

World Headquarters S80 W18766 Apollo Drive, Muskego, WI 53150 USA

Installation Hotline: 866.394.6776

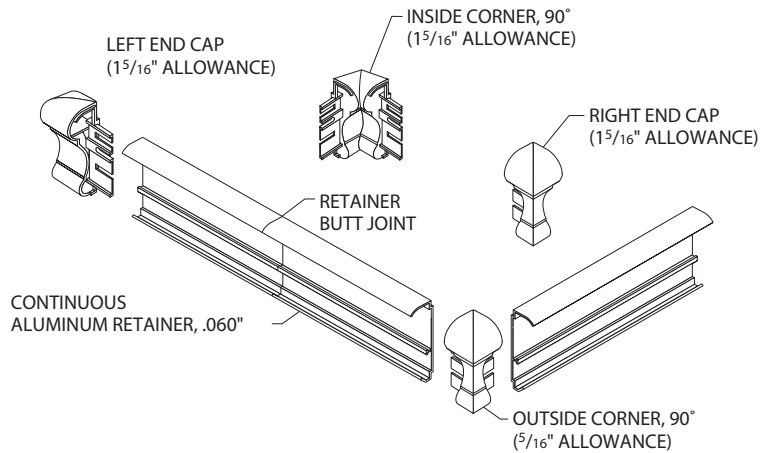
inpro®

Installation Instructions

2700/2700W/G2-2700 Chair Rails

Please read all instructions before installing wallguard.

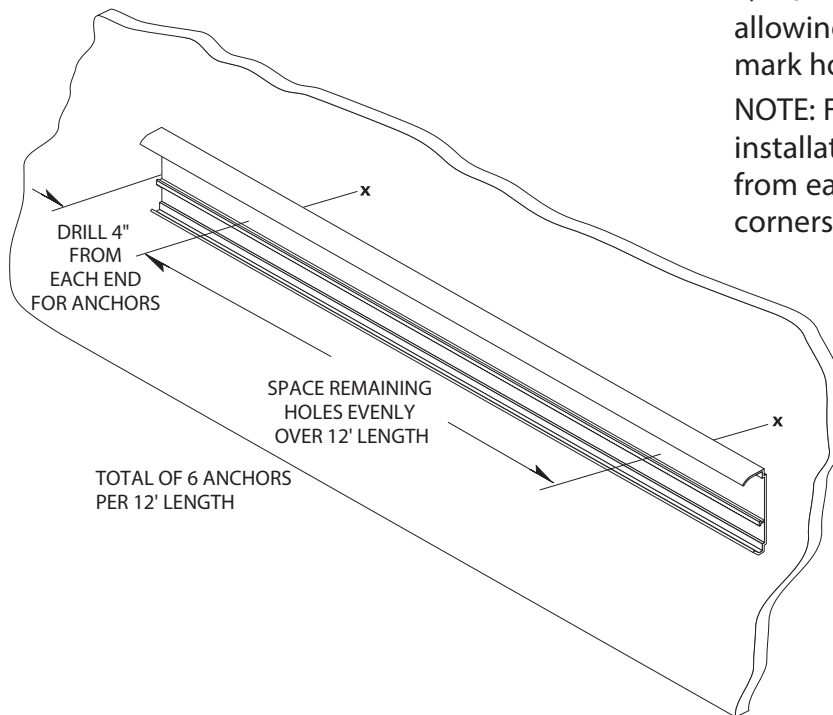
FIG. 1



Please read all instructions before installing chair rail.

1. Cut aluminum retainer to desired length, leaving allowance for end caps, inside corners and outside corners. See Figure 1.

FIG. 2



2. Drill holes in centerline of retainer using 1/4" drill bit. Position retainer on wall allowing for end caps/corners. Level and mark holes. See Figure 2.

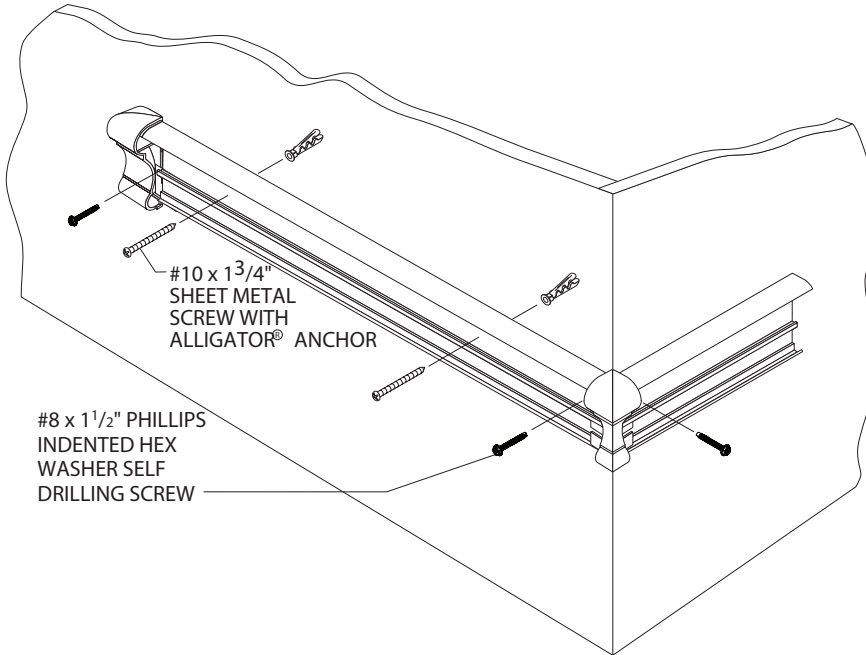
NOTE: For concrete or brick wall installation, drill 1/4" holes, 3/8" [10mm] from each end of retainer for end caps/corners.

Installation Instructions

2700/2700W/G2-2700 Chair Rails

Please read all instructions before installing wallguard.

FIG. 3

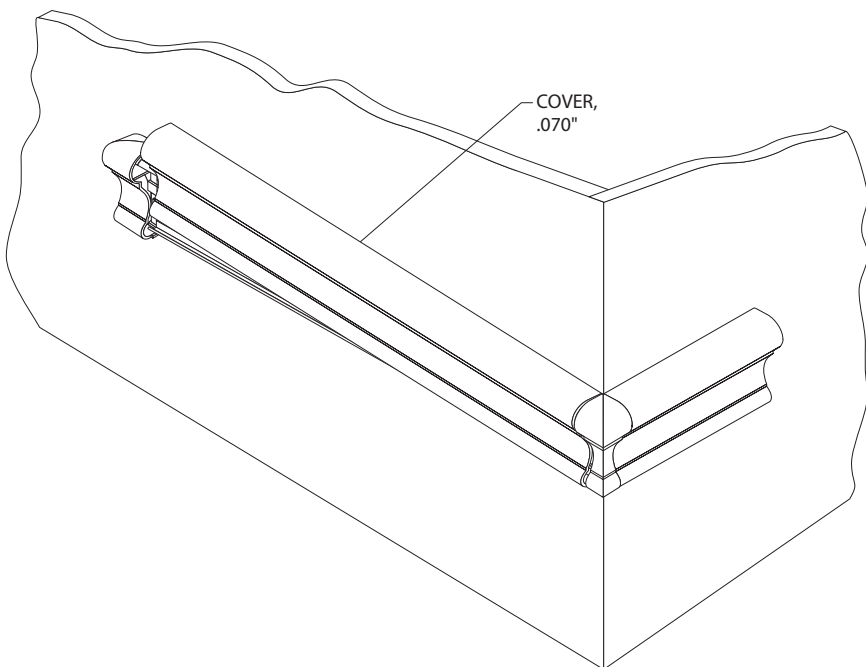


Please read all instructions before installing chair rail.

3. Drill marked holes on wall using a 1/4" drill bit and position Alligator anchors into holes. Mount retainer on wall and tighten screws to secure. Slide end caps and corners onto the retainer and secure, leaving a 1/16" [1.5mm] gap between returns/corners and retainer to allow for adjustment. See Figure 3.

NOTE: For concrete or brick wall installation, use #10 x 1 3/4" Phillips pan head screws to secure end caps and corners.

FIG. 4



4. Cut the cover to length between end caps and/or corners. (Note: Trim factory edges square before installation). Position cover on retainer and adjust end caps and/or corners for a tight fit. Starting at one end, push cover onto retainer until it snaps into place. See Figure 4.