

### 353-A09-150P

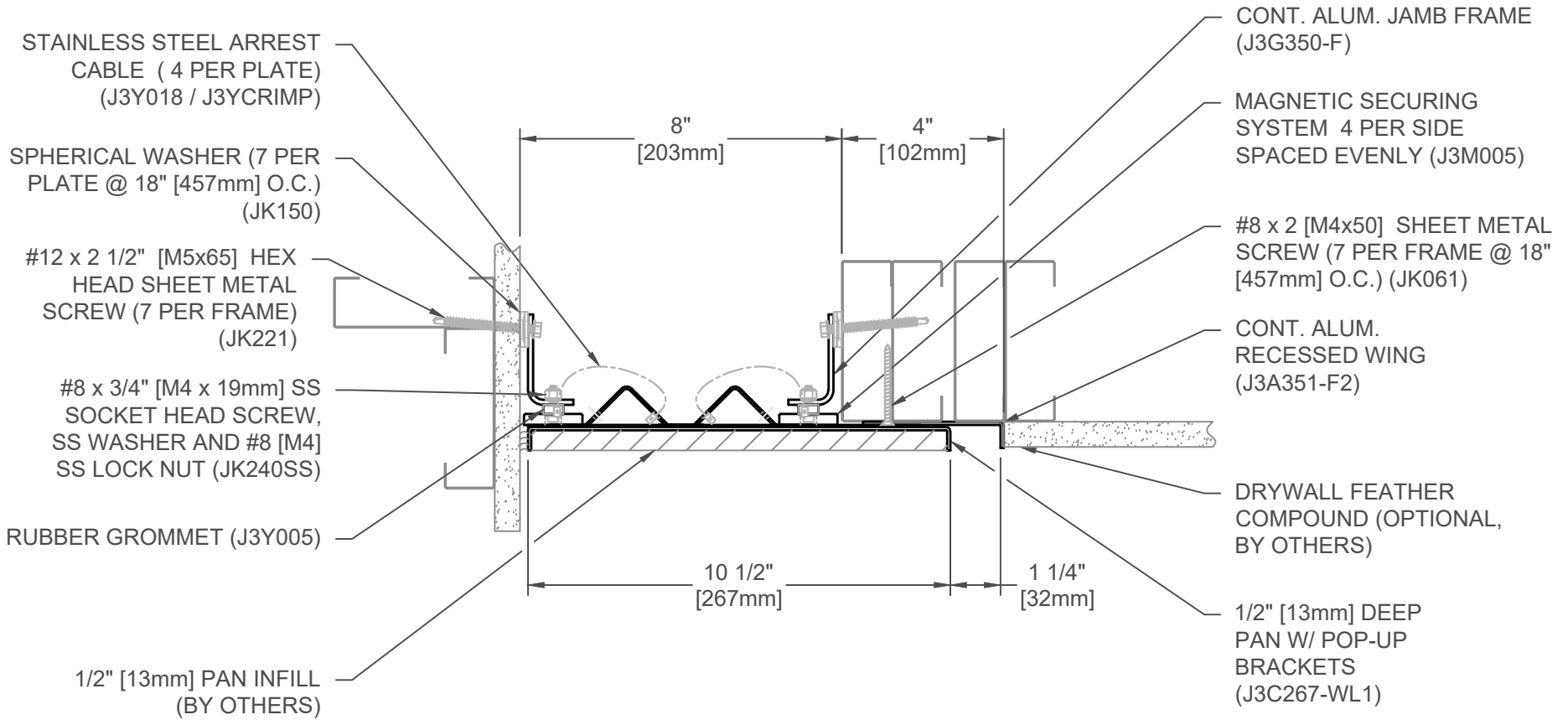
JOINT WIDTH		MOVEMENT ±			
		MINIMUM		MAXIMUM	
US	mm	US	mm	US	mm
6"	152	2 3/4"	70	12"	305

FINISH: MILL
PROJECT:
CUSTOMER:
LOCATION:

APPLICATION -  
 WALL/CORNER CONCEALED PAN EXPANSION JOINT SYSTEM-  
 ACCEPTS VARIETY OF WALL FINISHES

DATE:	9/4/18
SCALE:	1:4
DOC:	CADJM.201/R2

**inpro.**  
 For More Information Visit: [Inprocorp.com](http://Inprocorp.com)



### 353-A09-200P

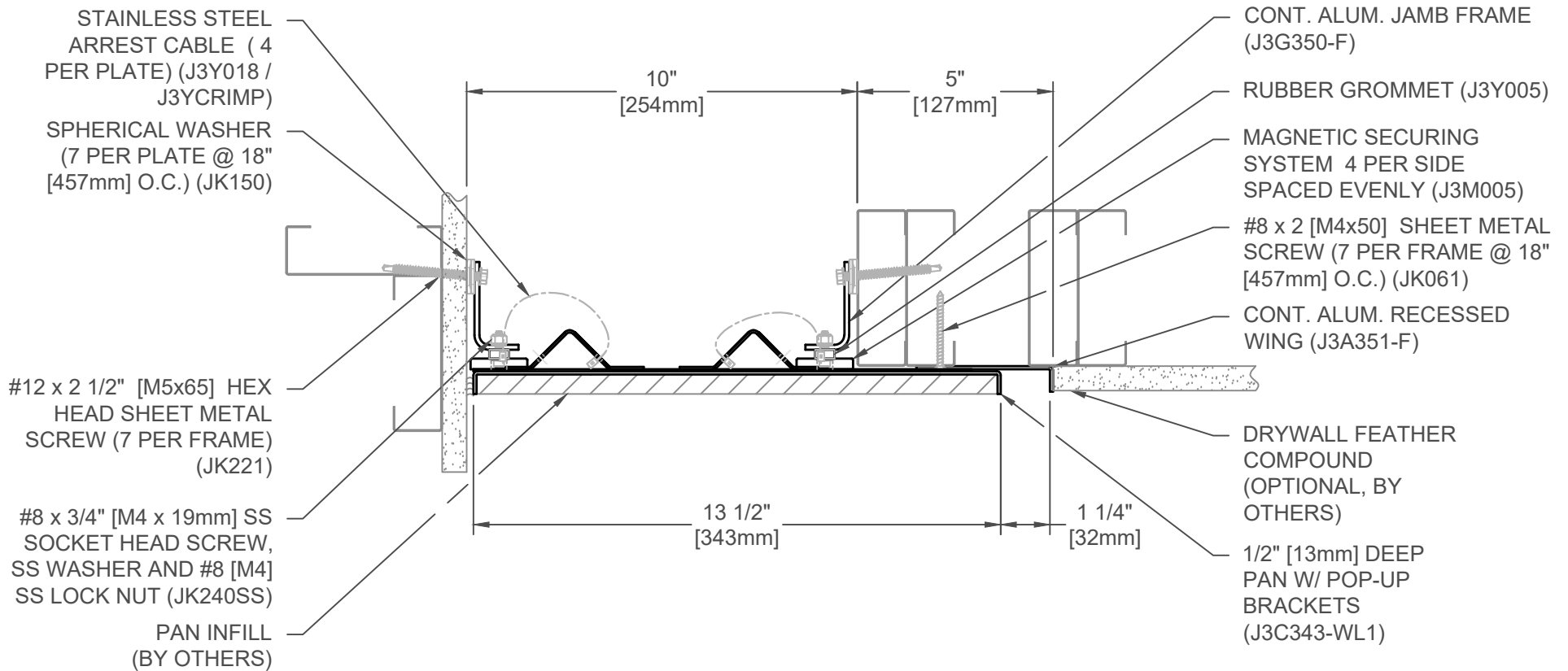
JOINT WIDTH		MOVEMENT ±			
		MINIMUM		MAXIMUM	
US	mm	US	mm	US	mm
8"	203	2 3/4"	70	16"	406

FINISH: MILL
PROJECT:
CUSTOMER:
LOCATION:

APPLICATION -  
WALL/CORNER CONCEALED PAN EXPANSION JOINT SYSTEM-  
ACCEPTS VARIETY OF WALL FINISHES

DATE:	9/4/18
SCALE:	1:4
DOC:	CADJM.201/R2





### 353-A09-250P

JOINT WIDTH		MOVEMENT ±			
		MINIMUM		MAXIMUM	
US	mm	US	mm	US	mm
10"	254	2 3/4"	70	20"	508

FINISH: MILL
PROJECT:
CUSTOMER:
LOCATION:

APPLICATION -  
WALL/CORNER CONCEALED PAN EXPANSION JOINT SYSTEM-  
ACCEPTS VARIETY OF WALL FINISHES

DATE:	9/4/18
SCALE:	1:4
DOC:	CADJM.201/R2



For More Information Visit: [Inprocorp.com](http://Inprocorp.com)

STAINLESS STEEL ARREST  
CABLE ( 4 PER PLATE )  
(J3Y018 / J3YCRIMP)

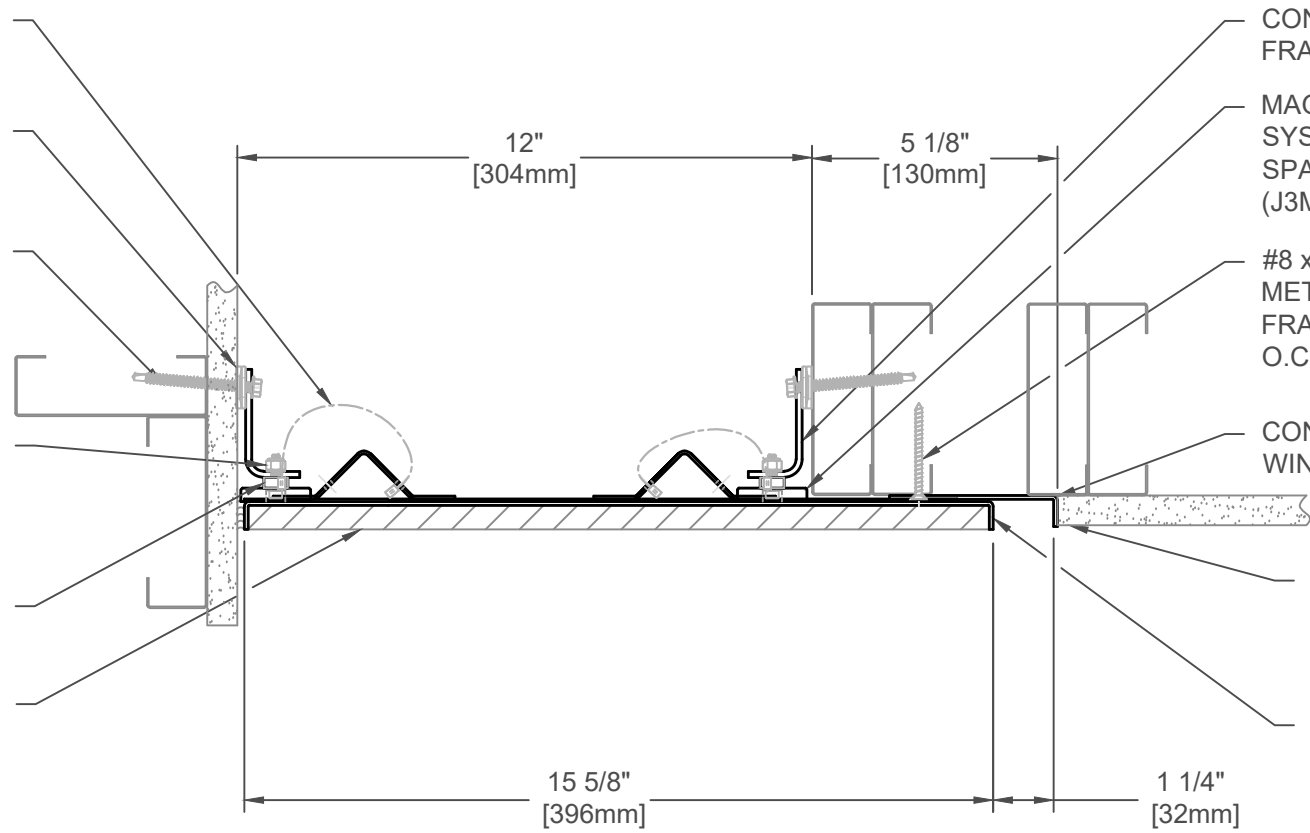
SPHERICAL WASHER  
(7 PER PLATE @ 18"  
[457mm] O.C.) (JK150)

#12 x 2 1/2" [M5x65]  
HEX HEAD SHEET  
METAL SCREW (7 PER  
FRAME) (JK221)

#8 x 3/4" [M4 x 19mm] SS  
SOCKET HEAD SCREW,  
SS WASHER AND #8 [M4]  
SS LOCK NUT (JK240SS)

RUBBER GROMMET  
(J3Y005)

PAN INFILL  
(BY OTHERS)



CONT. ALUM. JAMB  
FRAME (J3G350-F)

MAGNETIC SECURING  
SYSTEM 4 PER SIDE  
SPACED EVENLY  
(J3M005)

#8 x 2 [M4x50] SHEET  
METAL SCREW (7 PER  
FRAME @ 18" [457mm]  
O.C.) (JK061)

CONT. ALUM. RECESSED  
WING (J3A351-F)

DRYWALL FEATHER  
COMPOUND  
(OPTIONAL, BY  
OTHERS)

1/2" [13mm] DEEP  
PAN W/ POP-UP  
BRACKETS  
(J3C397-WL1)

### 353-A09-300P

JOINT WIDTH		MOVEMENT ±			
		MINIMUM		MAXIMUM	
US	mm	US	mm	US	mm
12"	305	2 3/4"	70	24"	610

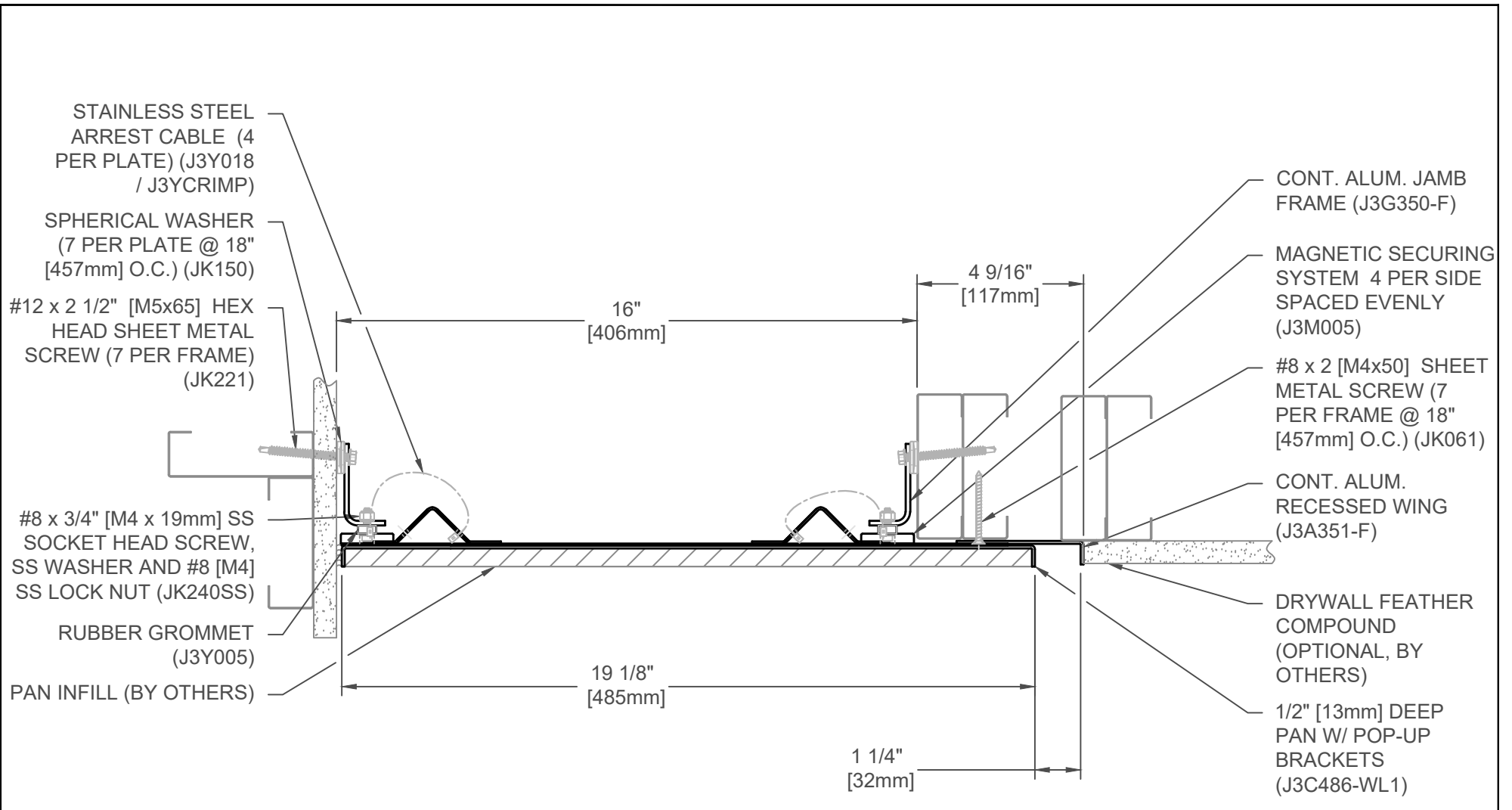
FINISH: MILL
PROJECT:
CUSTOMER:
LOCATION:

APPLICATION -  
WALL/CORNER CONCEALED PAN EXPANSION JOINT SYSTEM-  
ACCEPTS VARIETY OF WALL FINISHES

DATE:	9/4/18
SCALE:	1:4
DOC:	CADJM.201/R2

**inpro.**

For More Information Visit: [Inprocorp.com](http://Inprocorp.com)



### 353-A09-400P

JOINT WIDTH		MOVEMENT ±			
		MINIMUM		MAXIMUM	
US	mm	US	mm	US	mm
16"	406	2 3/4"	70	32"	813

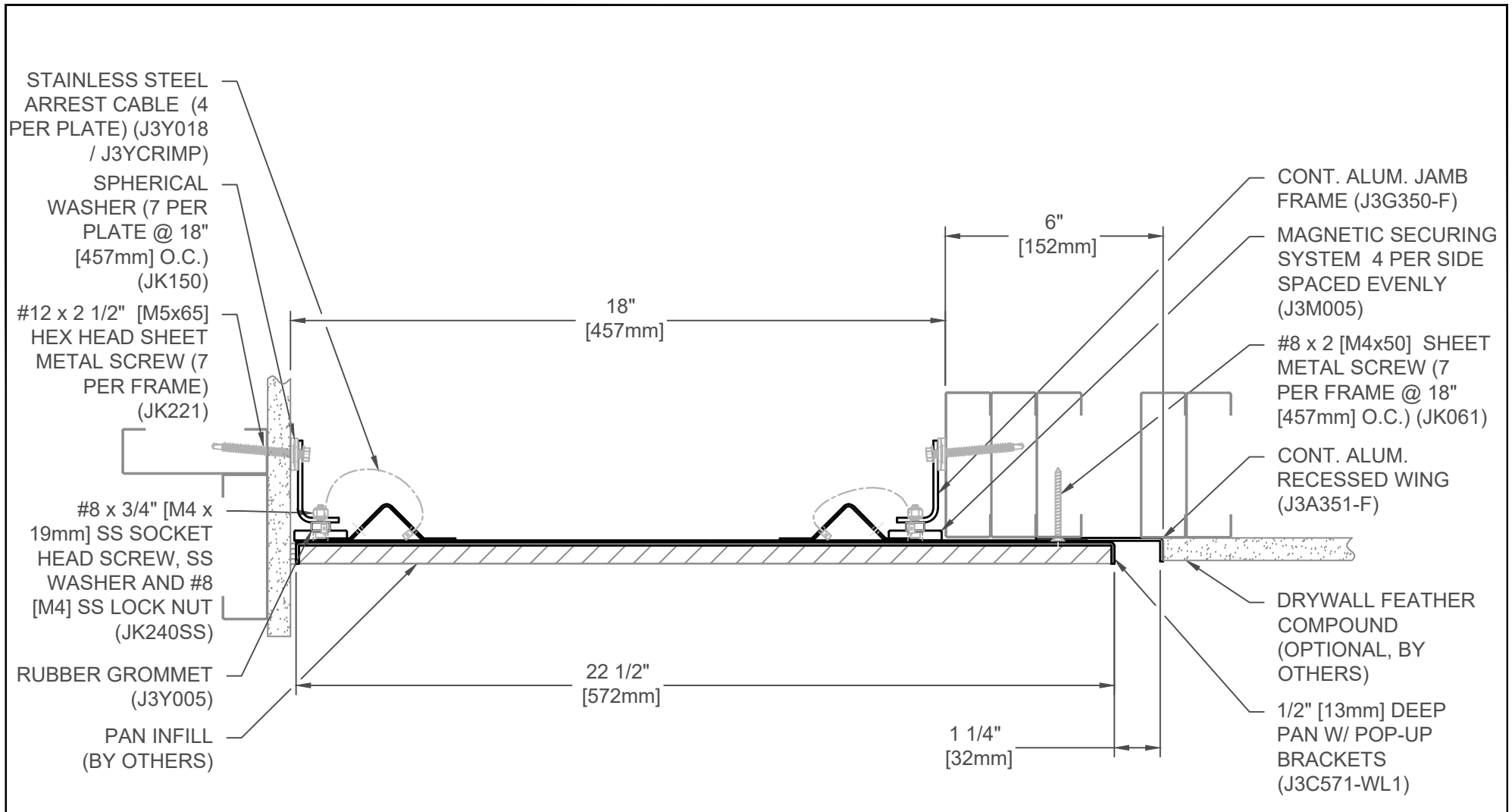
FINISH: MILL
PROJECT:
CUSTOMER:
LOCATION:

APPLICATION -  
WALL/CORNER CONCEALED PAN EXPANSION JOINT SYSTEM-  
ACCEPTS VARIETY OF WALL FINISHES

DATE:	9/4/18
SCALE:	1:4
DOC:	CADJM.201/R2



For More Information Visit: [Inprocorp.com](http://Inprocorp.com)



### 353-A09-450P

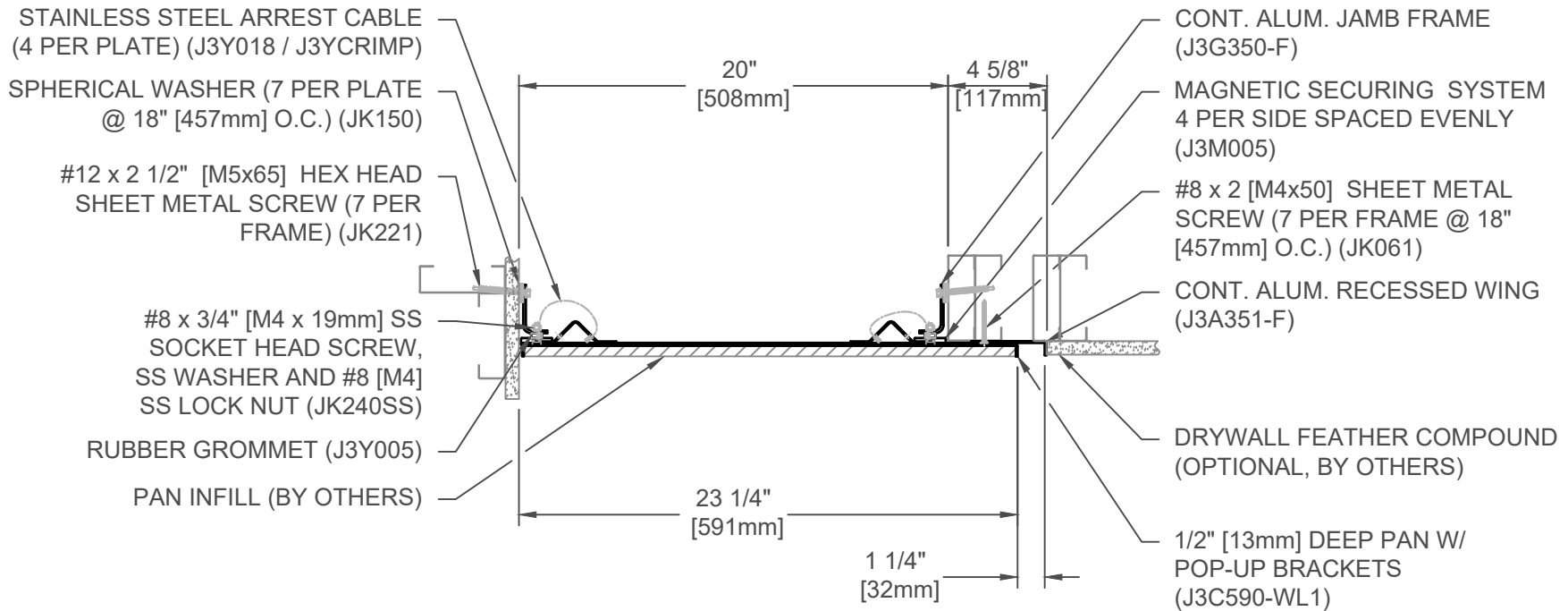
JOINT WIDTH		MOVEMENT ±			
		MINIMUM		MAXIMUM	
US	mm	US	mm	US	mm
18"	457	2 3/4"	70	36"	914

FINISH: MILL
PROJECT:
CUSTOMER:
LOCATION:

APPLICATION -  
WALL/CORNER CONCEALED PAN EXPANSION JOINT SYSTEM-  
ACCEPTS VARIETY OF WALL FINISHES

DATE:	9/4/18
SCALE:	1:4
DOC:	CADJM.201/R2

  
 For More Information Visit: [Inprocorp.com](http://Inprocorp.com)



### 353-A09-500P

JOINT WIDTH		MOVEMENT ±			
		MINIMUM		MAXIMUM	
US	mm	US	mm	US	mm
20"	508	2 3/4"	70	40"	1016

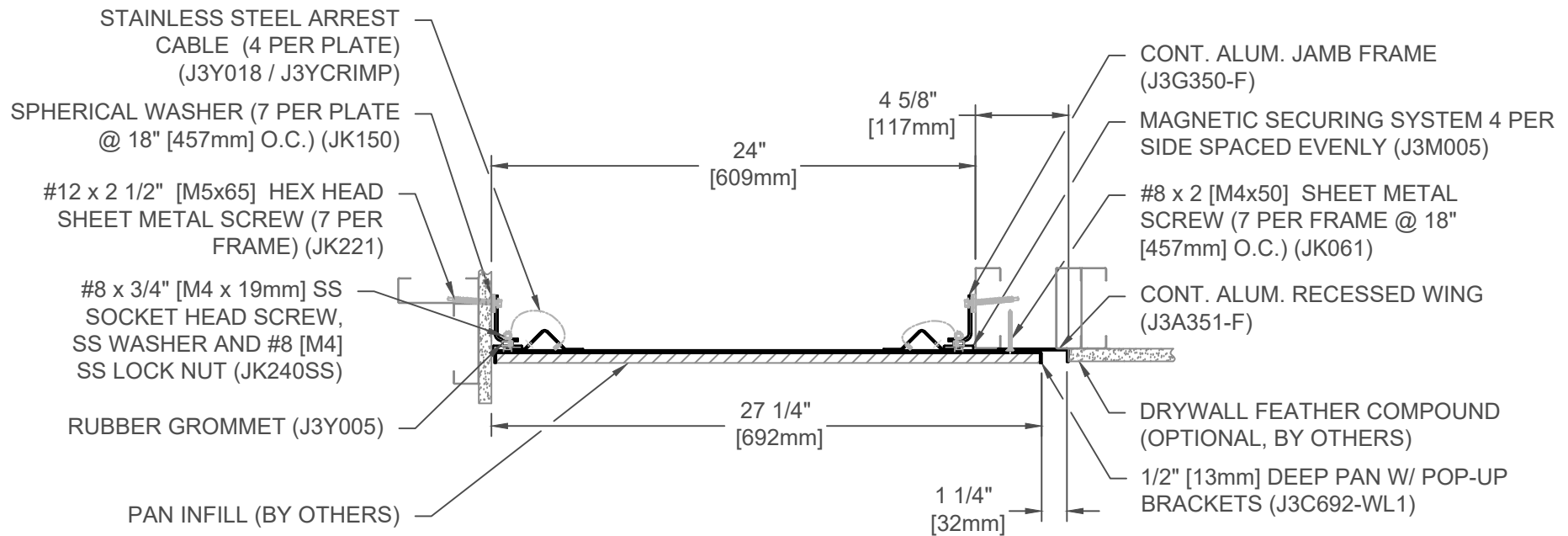
FINISH: MILL
PROJECT:
CUSTOMER:
LOCATION:

APPLICATION -  
WALL/CORNER CONCEALED PAN EXPANSION JOINT SYSTEM-  
ACCEPTS VARIETY OF WALL FINISHES

DATE:	9/4/18
SCALE:	1:8
DOC:	CADJM.201/R2



For More Information Visit: [Inprocorp.com](http://Inprocorp.com)



### 353-A09-600P

JOINT WIDTH		MOVEMENT ±			
		MINIMUM		MAXIMUM	
US	mm	US	mm	US	mm
24"	610	2 3/4"	70	48"	1219

FINISH: MILL
PROJECT:
CUSTOMER:
LOCATION:

APPLICATION -  
WALL/CORNER CONCEALED PAN EXPANSION JOINT SYSTEM-  
ACCEPTS VARIETY OF WALL FINISHES

DATE:	9/4/18
SCALE:	1:8
DOC:	CADJM.201/R2



For More Information Visit: [Inprocorp.com](http://Inprocorp.com)