

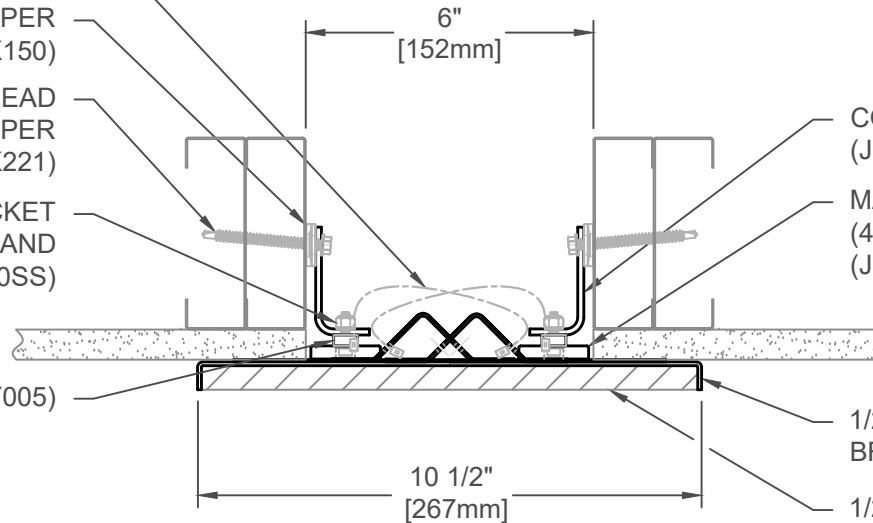
STAINLESS STEEL ARREST CABLE
(4 PER PLATE) (J3Y018 / J3YCRIMP)

SPHERICAL WASHER (7 PER
PLATE @ 18" [457mm] O.C.) (JK150)

#12 x 2 1/2" [M5x65] HEX HEAD
SHEET METAL SCREW (7 PER
FRAME) (JK221)

#8 x 3/4" [M4 x 19mm] SS SOCKET
HEAD SCREW, SS WASHER AND
#8 [M4] SS LOCK NUT (JK240SS)

RUBBER GROMMET (J3Y005)



CONT. ALUM. JAMB FRAME
(J3G350-F)

MAGNETIC SECURING SYSTEM
(4 PER SIDE) SPACED EVENLY
(J3M005)

1/2" [13mm] DEEP PAN W/ POP-UP
BRACKETS (J3C267-WL)

1/2" [13mm] PAN INFILL (BY OTHERS)

355-A07-150P

JOINT WIDTH		MOVEMENT ±			
		MINIMUM		MAXIMUM	
US	mm	US	mm	US	mm
6"	152	2 3/4"	70	12"	305

FINISH: MILL
PROJECT:
CUSTOMER:
LOCATION:

APPLICATION -
WALL/WALL CONCEALED PAN EXPANSION JOINT SYSTEM- ACCEPTS
VARIETY OF WALL FINISHES

DATE:	9/4/18
SCALE:	1:4
DOC:	CADJM.202/R2

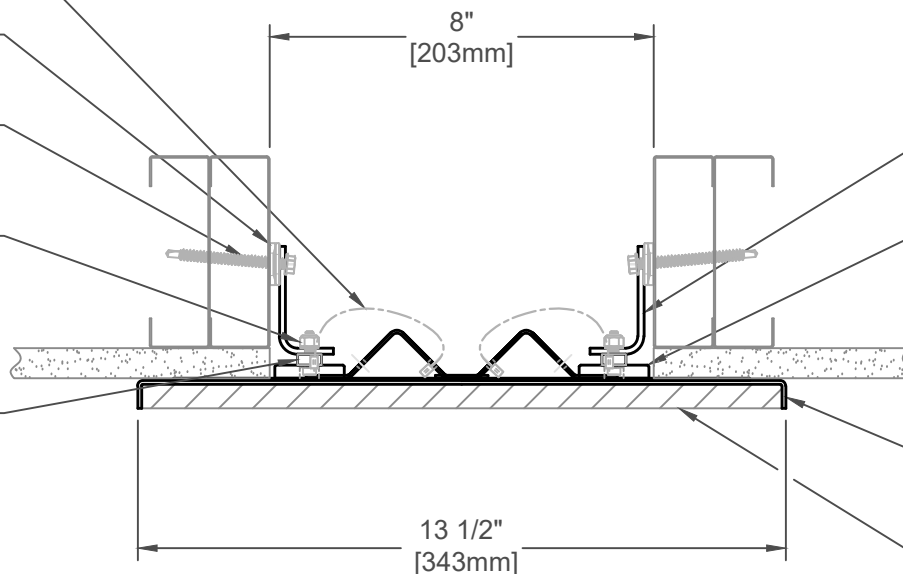
STAINLESS STEEL ARREST CABLE
(4 PER PLATE) (J3Y018 / J3YCRIMP)

SPHERICAL WASHER (7 PER PLATE
@ 18" [457mm] O.C.) (JK150)

#12 x 2 1/2" [M5x65] HEX HEAD
SHEET METAL SCREW (7 PER
FRAME) (JK221)

#8 x 3/4" [M4 x 19mm] SS
SOCKET HEAD SCREW, SS
WASHER AND #8 [M4] SS LOCK
NUT (JK240SS)

RUBBER GROMMET (J3Y005)



CONT. ALUM. JAMB
FRAME (J3G350-F)

MAGNETIC SECURING
SYSTEM (4 PER SIDE)
SPACED EVENLY
(J3M005)

1/2" [13mm] DEEP PAN W/
POP-UP BRACKETS (J3C343-WL)

1/2" [13mm] PAN INFILL
(BY OTHERS)

355-A07-200P

JOINT WIDTH		MOVEMENT ±			
US	mm	MINIMUM		MAXIMUM	
US	mm	US	mm	US	mm
8"	203	2 3/4"	70	16"	406

FINISH: MILL

PROJECT:

CUSTOMER:

LOCATION:

APPLICATION -
WALL/WALL CONCEALED PAN EXPANSION JOINT SYSTEM- ACCEPTS
VARIETY OF WALL FINISHES

DATE: 9/4/18

SCALE: 1:4

DOC: CADJM.202/R2

inpro.

For More Information Visit: Inprocorp.com

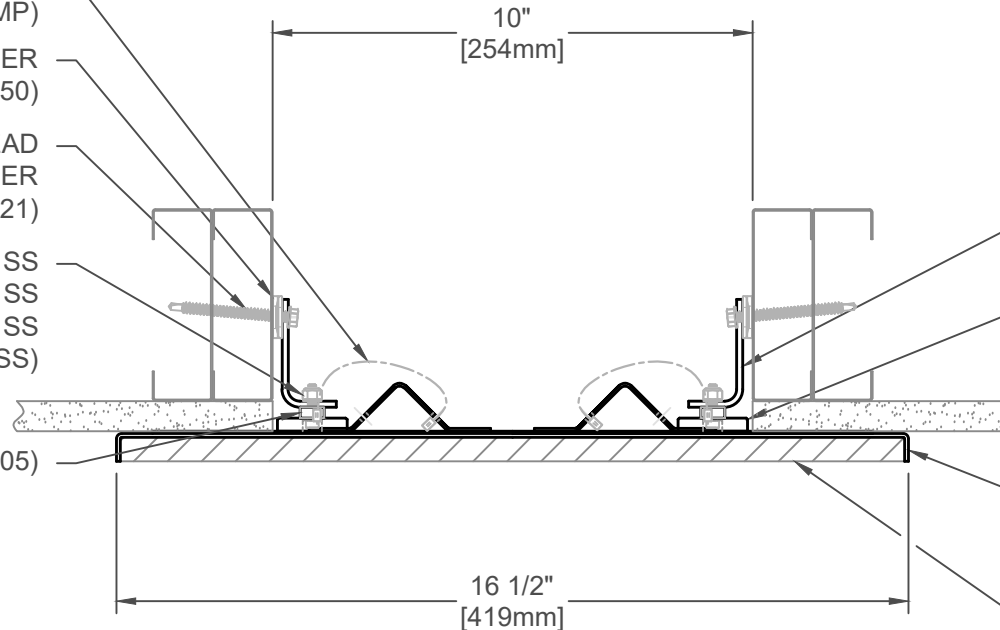
STAINLESS STEEL ARREST CABLE
(4 PER PLATE) (J3Y018 / J3YCRIMP)

SPHERICAL WASHER (7 PER
PLATE @ 18" [457mm] O.C.) (JK150)

#12 x 2 1/2" [M5x65] HEX HEAD
SHEET METAL SCREW (7 PER
FRAME) (JK221)

#8 x 3/4" [M4 x 19mm] SS
SOCKET HEAD SCREW, SS
WASHER AND #8 [M4] SS
LOCK NUT (JK240SS)

RUBBER GROMMET (J3Y005)



CONT. ALUM. JAMB
FRAME (J3G350-F)

MAGNETIC SECURING
SYSTEM (4 PER SIDE)
SPACED EVENLY
(J3M005)

1/2" [13mm] DEEP PAN
W/ POP-UP BRACKETS
(J3C419-WL)

1/2" [13mm] PAN INFILL
(BY OTHERS)

355-A07-250P

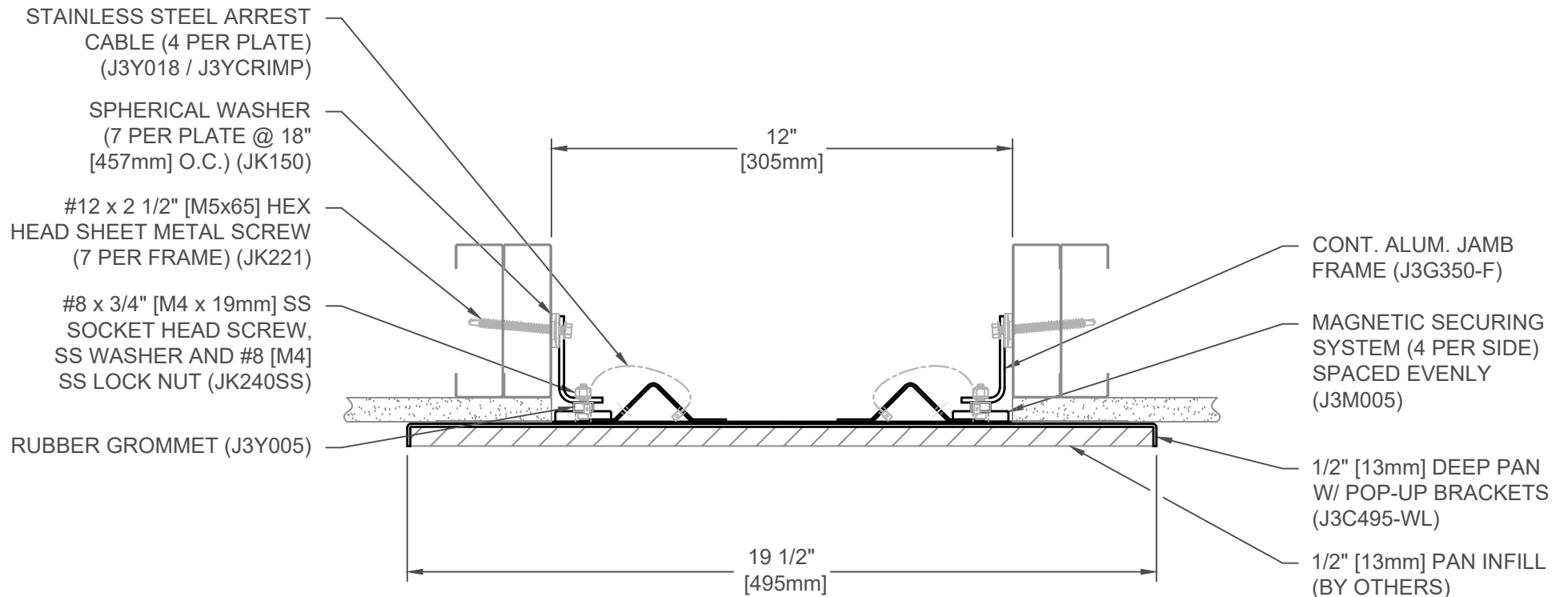
JOINT WIDTH		MOVEMENT ±			
US	mm	US	mm	US	mm
10"	254	2 3/4"	70	20"	508

FINISH: MILL
PROJECT:
CUSTOMER:
LOCATION:

APPLICATION -
WALL/WALL CONCEALED PAN EXPANSION JOINT SYSTEM- ACCEPTS
VARIETY OF WALL FINISHES

DATE:	9/4/18
SCALE:	1:4
DOC:	CADJM.202/R2

inpro.
For More Information Visit: Inprocorp.com



355-A07-300P

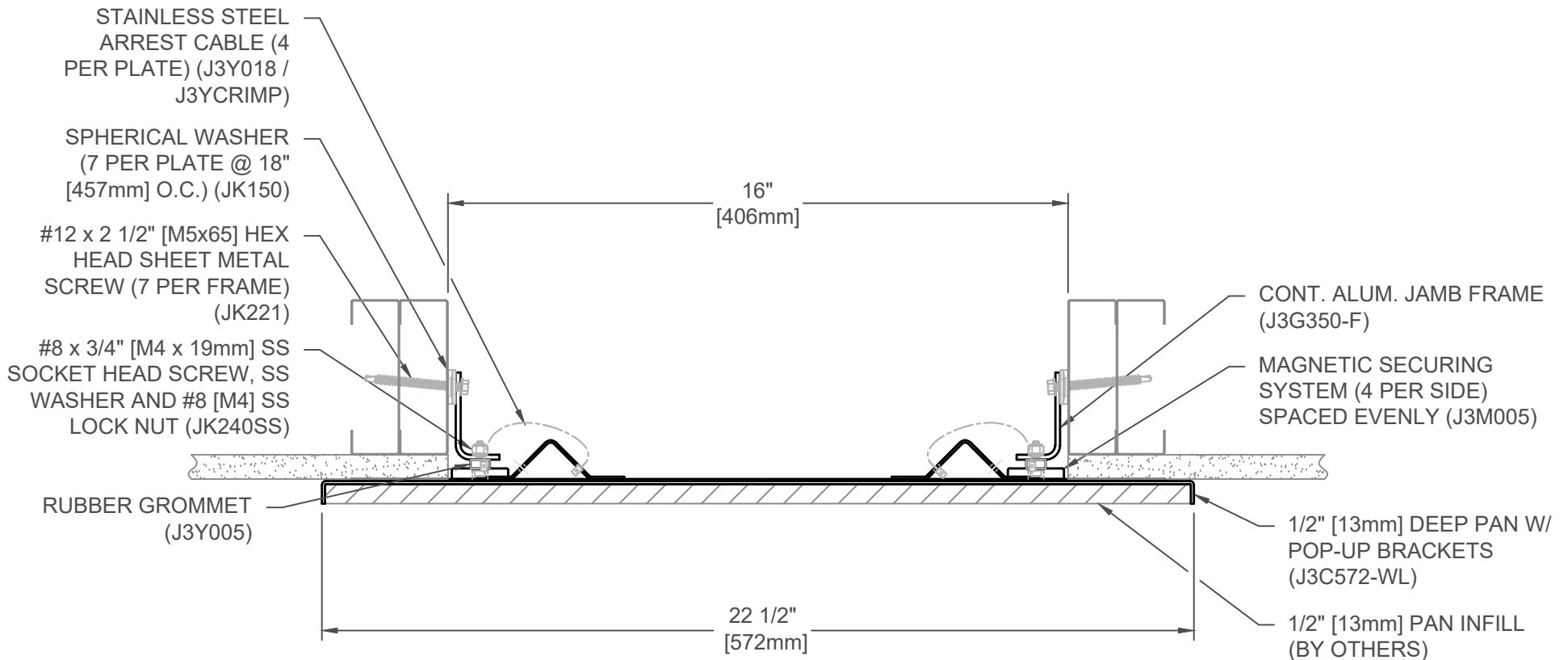
JOINT WIDTH		MOVEMENT ±			
US	mm	MINIMUM		MAXIMUM	
US	mm	US	mm	US	mm
12"	305	2 3/4"	70	24"	610

FINISH: MILL
PROJECT:
CUSTOMER:
LOCATION:

APPLICATION -
WALL/WALL CONCEALED PAN EXPANSION JOINT SYSTEM- ACCEPTS
VARIETY OF WALL FINISHES

DATE:	9/4/18
SCALE:	1:4
DOC:	CADJM.202/R2

inpro.
For More Information Visit: Inprocorp.com



355-A07-400P

JOINT WIDTH		MOVEMENT ±			
		MINIMUM		MAXIMUM	
US	mm	US	mm	US	mm
16"	406	2 3/4"	70	32"	813

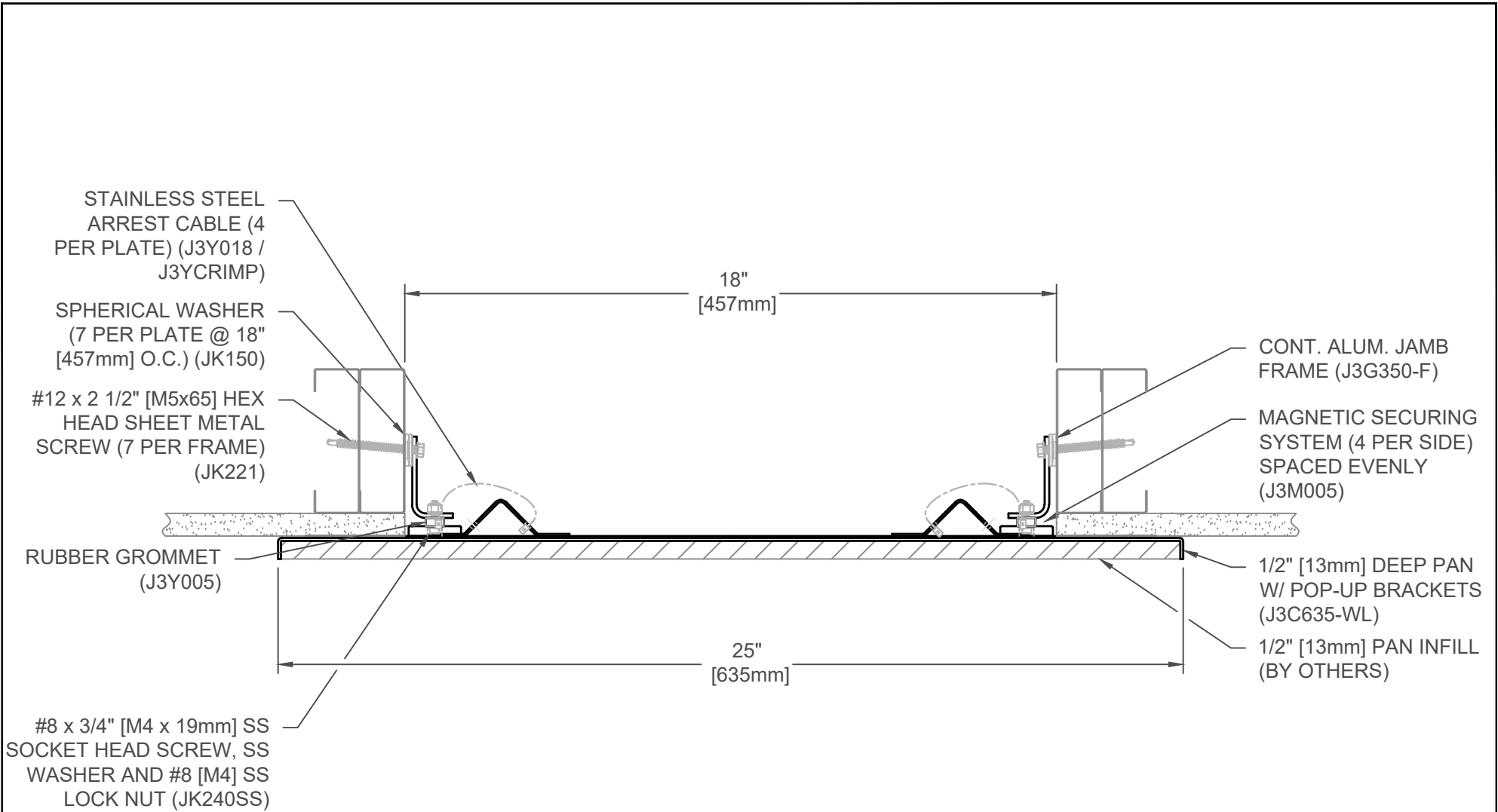
FINISH: MILL
PROJECT:
CUSTOMER:
LOCATION:

APPLICATION -
WALL/WALL CONCEALED PAN EXPANSION JOINT SYSTEM- ACCEPTS
VARIETY OF WALL FINISHES

DATE:	9/4/18
SCALE:	1:4
DOC:	CADJM.202/R2



For More Information Visit: Inprocorp.com



355-A07-450P

JOINT WIDTH		MOVEMENT ±			
		MINIMUM		MAXIMUM	
US	mm	US	mm	US	mm
18"	457	2 3/4"	70	36"	914

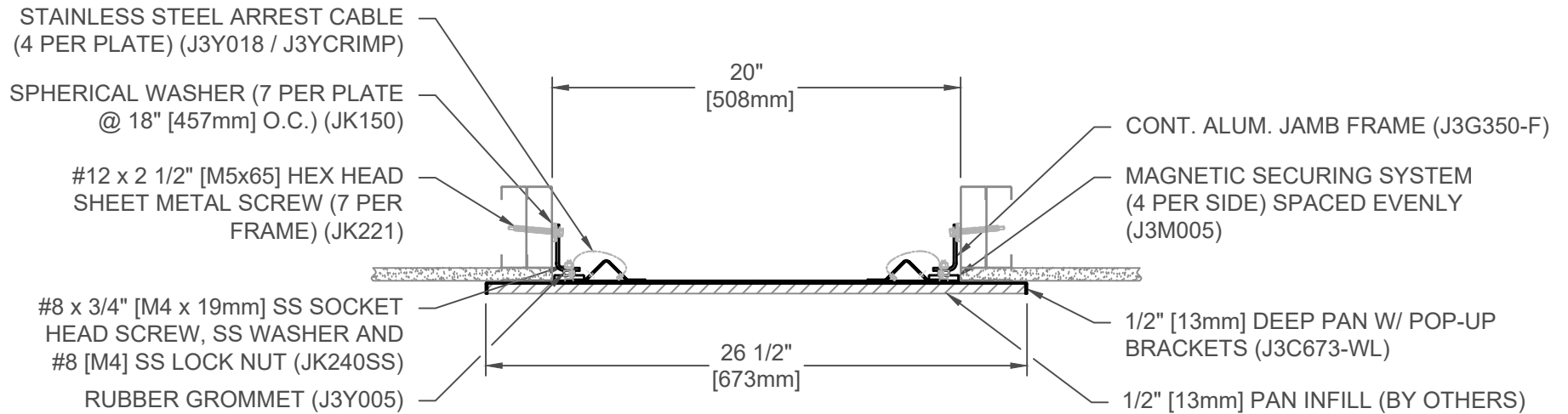
FINISH: MILL
PROJECT:
CUSTOMER:
LOCATION:

APPLICATION -
WALL/WALL CONCEALED PAN EXPANSION JOINT SYSTEM- ACCEPTS
VARIETY OF WALL FINISHES

DATE:	9/4/18
SCALE:	1:4
DOC:	CADJM.202/R2



For More Information Visit: Inprocorp.com



355-A07-500P

JOINT WIDTH		MOVEMENT ±			
		MINIMUM		MAXIMUM	
US	mm	US	mm	US	mm
20"	508	2 3/4"	70	40"	1016

FINISH: MILL
PROJECT:
CUSTOMER:
LOCATION:

APPLICATION -
WALL/WALL CONCEALED PAN EXPANSION JOINT SYSTEM- ACCEPTS
VARIETY OF WALL FINISHES

DATE:	9/4/18
SCALE:	1:8
DOC:	CADJM.202/R2

inpro.

For More Information Visit: Inprocorp.com

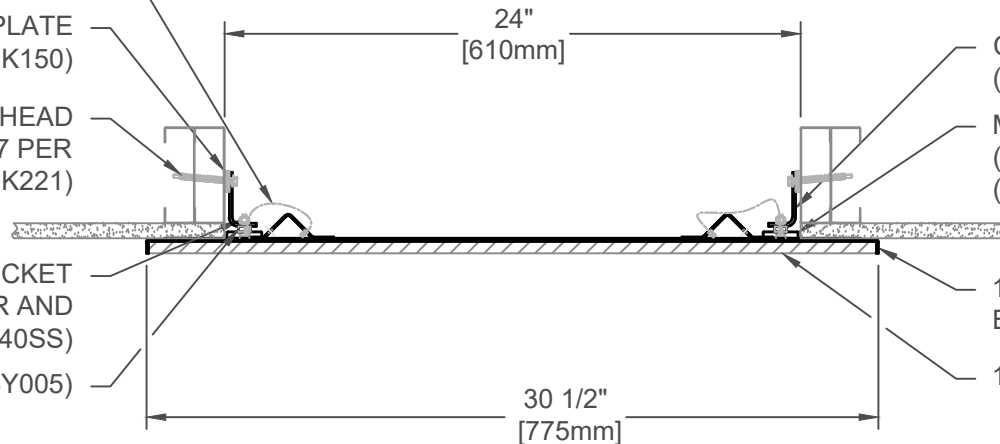
STAINLESS STEEL ARREST CABLE
(4 PER PLATE) (J3Y018 / J3YCRIMP)

SPHERICAL WASHER (7 PER PLATE
@ 18" [457mm] O.C.) (JK150)

#12 x 2 1/2" [M5x65] HEX HEAD
SHEET METAL SCREW (7 PER
FRAME) (JK221)

#8 x 3/4" [M4 x 19mm] SS SOCKET
HEAD SCREW, SS WASHER AND
#8 [M4] SS LOCK NUT (JK240SS)

RUBBER GROMMET (J3Y005)



CONT. ALUM. JAMB FRAME
(J3G350-F)

MAGNETIC SECURING SYSTEM
(4 PER SIDE) SPACED EVENLY
(J3M005)

1/2" [13mm] DEEP PAN W/ POP-UP
BRACKETS (J3C775-WL)

1/2" [13mm] PAN INFILL (BY OTHERS)

355-A07-600P

JOINT WIDTH		MOVEMENT ±			
		MINIMUM		MAXIMUM	
US	mm	US	mm	US	mm
24"	610	2 3/4"	70	48"	1219

FINISH: MILL
PROJECT:
CUSTOMER:
LOCATION:

APPLICATION -
WALL/WALL CONCEALED PAN EXPANSION JOINT SYSTEM- ACCEPTS
VARIETY OF WALL FINISHES

DATE:	9/4/18
SCALE:	1:8
DOC:	CADJM.202/R2

inpro.

For More Information Visit: Inprocorp.com