

355-A09-150P

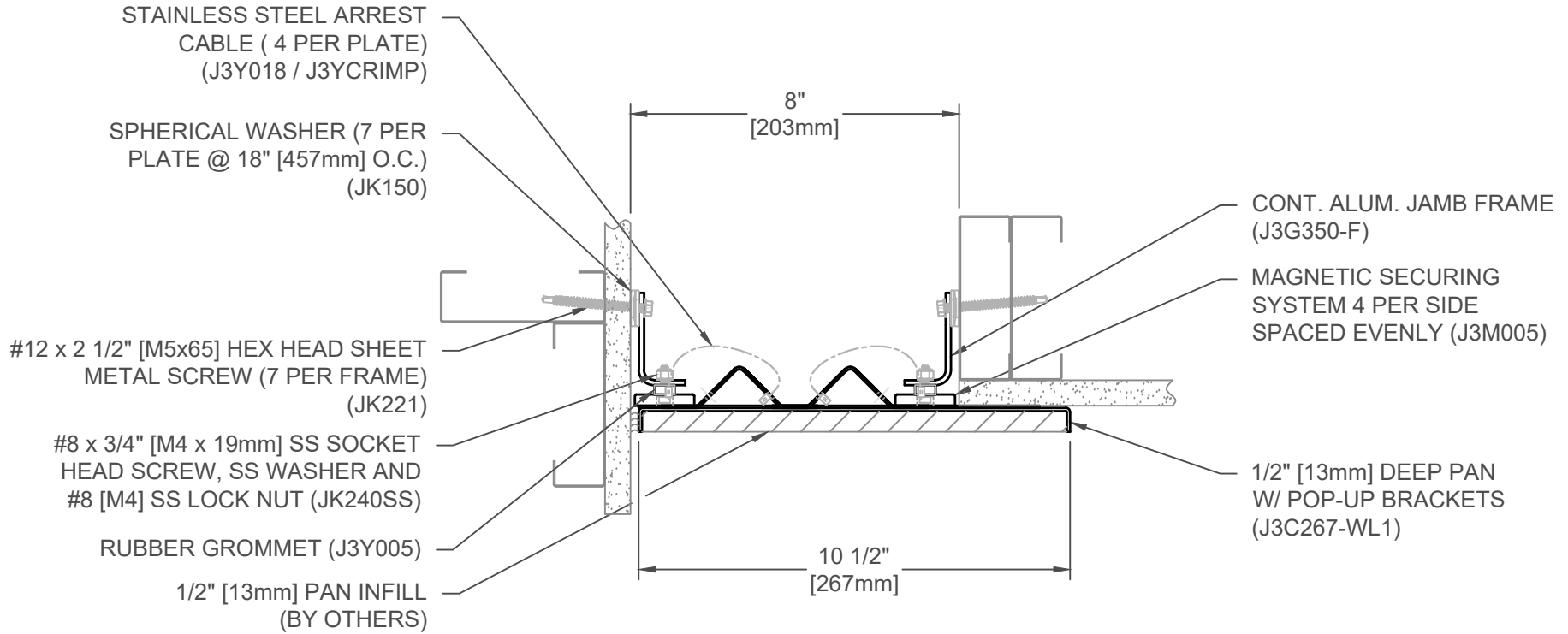
JOINT WIDTH		MOVEMENT ±			
		MINIMUM		MAXIMUM	
US	mm	US	mm	US	mm
6"	152	2 3/4"	70	12"	305

FINISH: MILL
PROJECT:
CUSTOMER:
LOCATION:

APPLICATION -
WALL/CORNER CONCEALED PAN EXPANSION JOINT SYSTEM-
ACCEPTS VARIETY OF WALL FINISHES

DATE:	9/4/18
SCALE:	1:4
DOC:	CADJM.203/R2





355-A09-200P

JOINT WIDTH		MOVEMENT ±			
		MINIMUM		MAXIMUM	
US	mm	US	mm	US	mm
8"	203	2 3/4"	70	16"	406

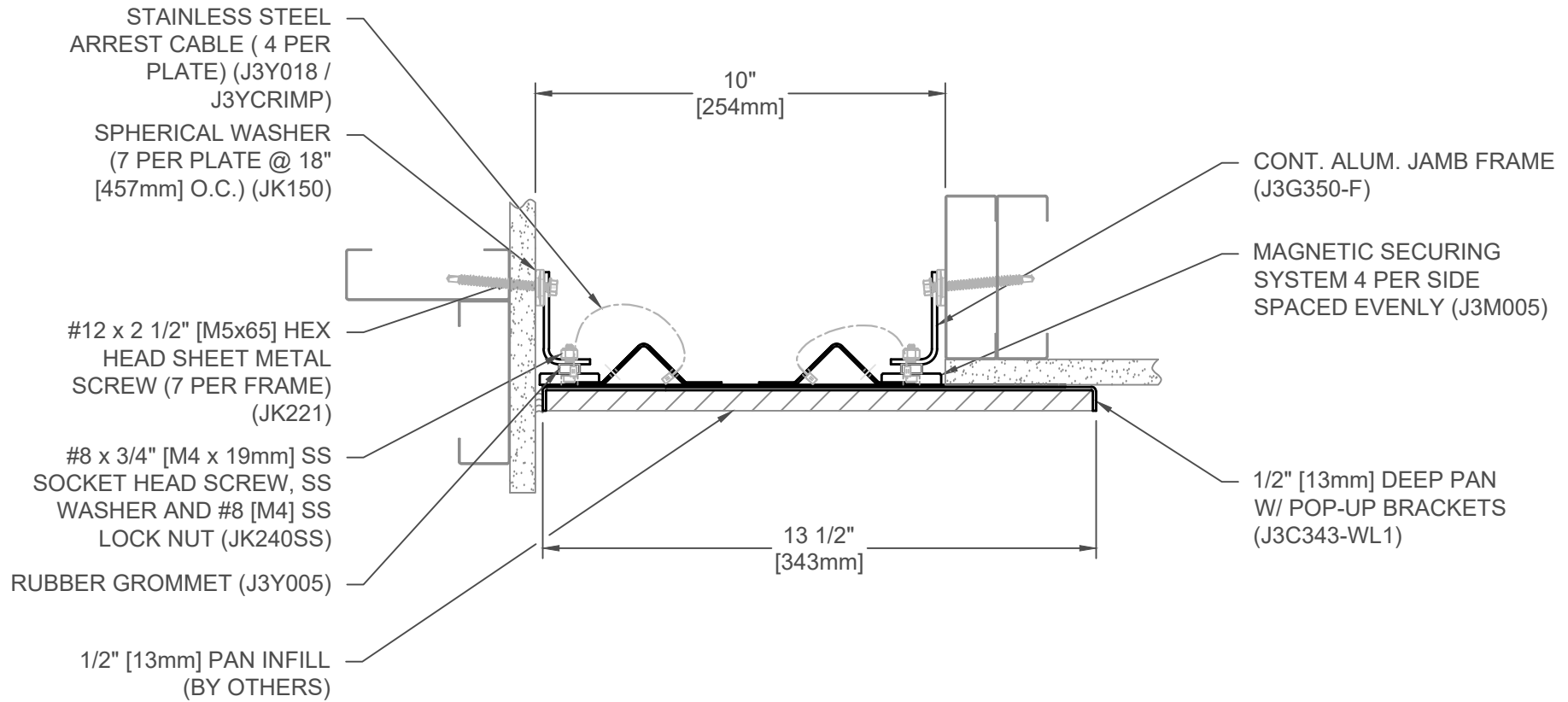
FINISH: MILL
PROJECT:
CUSTOMER:
LOCATION:

APPLICATION -
WALL/CORNER CONCEALED PAN EXPANSION JOINT SYSTEM-
ACCEPTS VARIETY OF WALL FINISHES

DATE:	9/4/18
SCALE:	1:4
DOC:	CADJM.203/R2

inpro.

For More Information Visit: Inprocorp.com



355-A09-250P

JOINT WIDTH		MOVEMENT ±			
		MINIMUM		MAXIMUM	
US	mm	US	mm	US	mm
10"	254	2 3/4"	70	20"	508

FINISH: MILL
PROJECT:
CUSTOMER:
LOCATION:

APPLICATION -
WALL/CORNER CONCEALED PAN EXPANSION JOINT SYSTEM-
ACCEPTS VARIETY OF WALL FINISHES

DATE:	9/4/18
SCALE:	1:4
DOC:	CADJM.203/R2

inpro.

For More Information Visit: Inprocorp.com

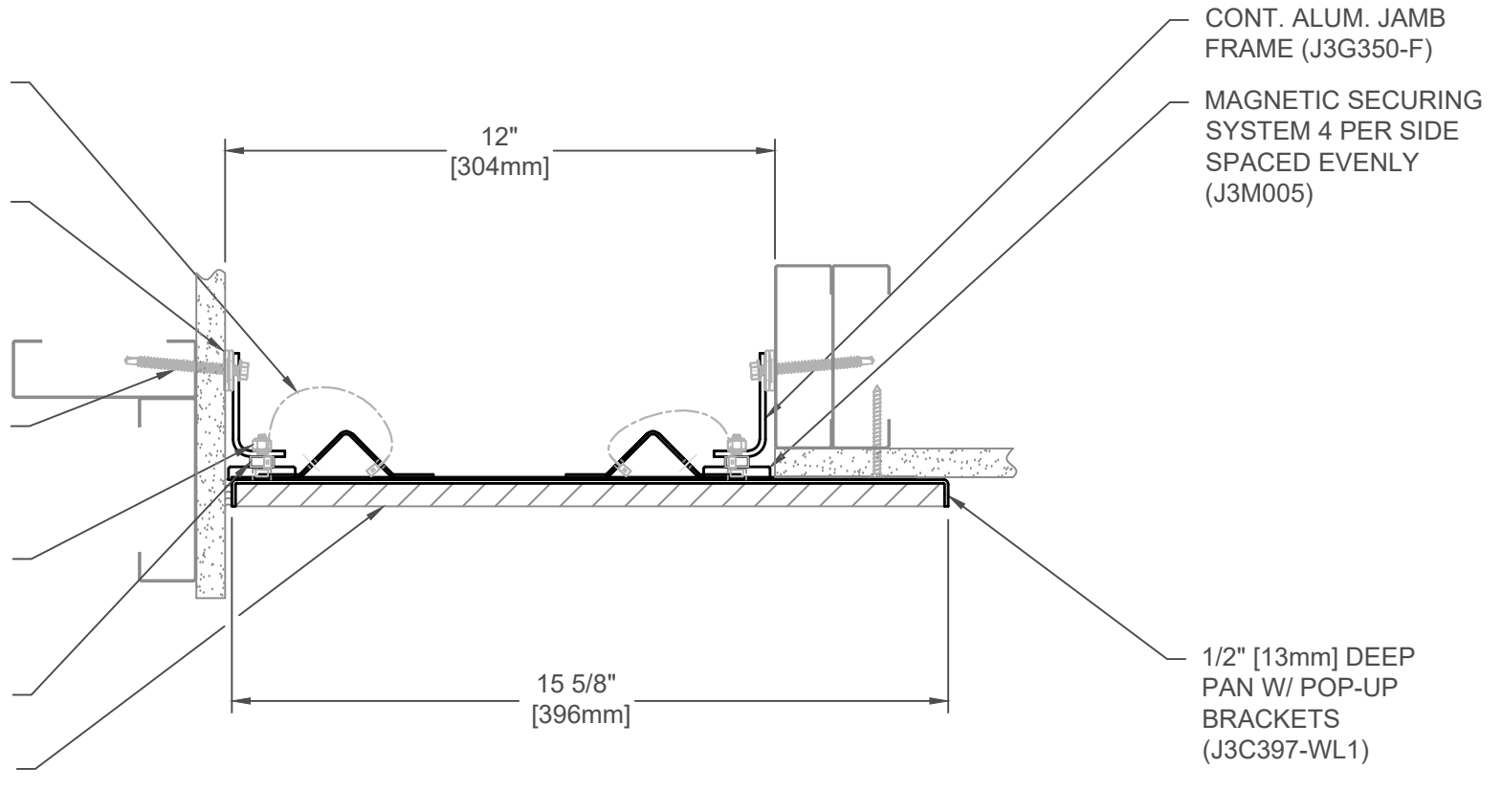
STAINLESS STEEL
ARREST CABLE (4 PER
PLATE) (J3Y018 /
J3YCRIMP)
SPHERICAL WASHER
(7 PER PLATE @ 18"
[457mm] O.C.) (JK150)

#12 x 2 1/2" [M5x65] HEX
HEAD SHEET METAL
SCREW (7 PER FRAME)
(JK221)

#8 x 3/4" [M4 x 19mm] SS
SOCKET HEAD SCREW,
SS WASHER AND #8 [M4]
SS LOCK NUT (JK240SS)

RUBBER GROMMET
(J3Y005)

1/2" [13mm] PAN INFILL
(BY OTHERS)



CONT. ALUM. JAMB
FRAME (J3G350-F)

MAGNETIC SECURING
SYSTEM 4 PER SIDE
SPACED EVENLY
(J3M005)

1/2" [13mm] DEEP
PAN W/ POP-UP
BRACKETS
(J3C397-WL1)

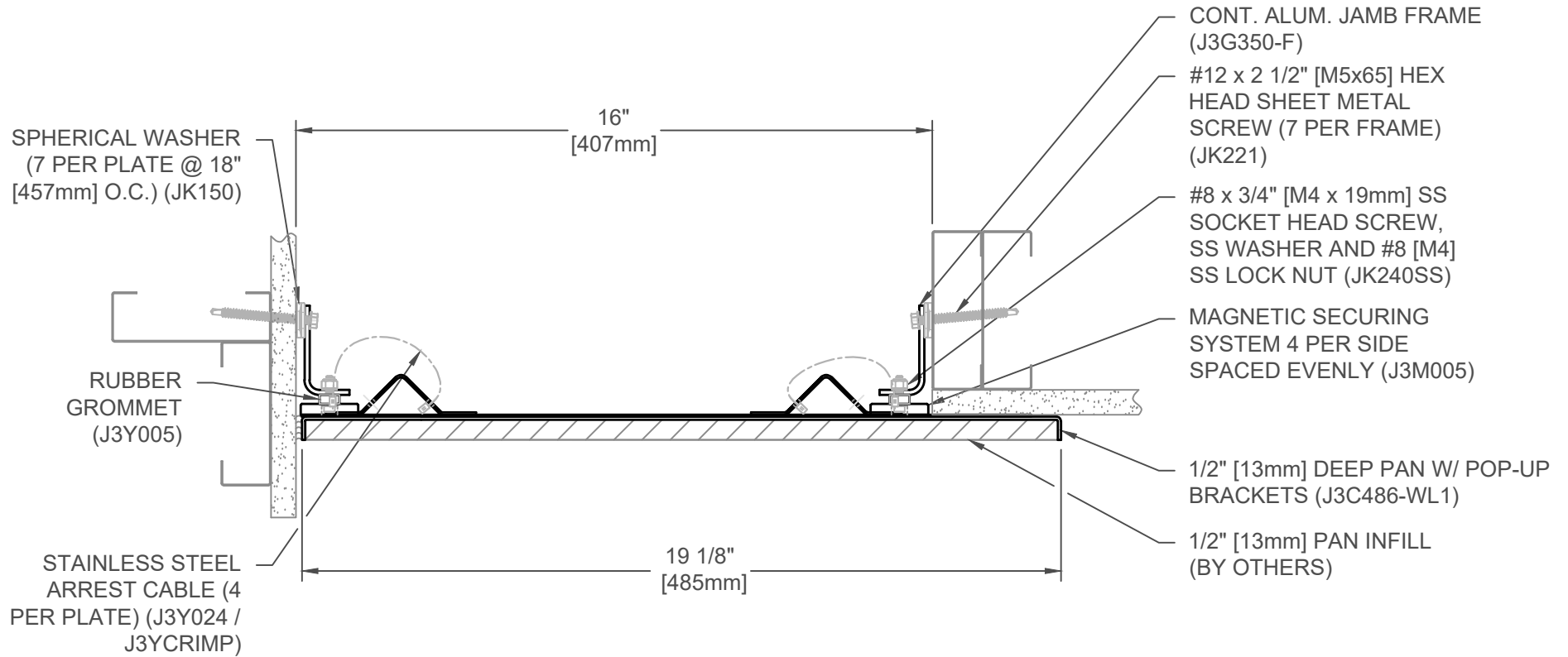
355-A09-300P

JOINT WIDTH		MOVEMENT ±			
		MINIMUM		MAXIMUM	
US	mm	US	mm	US	mm
12"	305	2 3/4"	70	24"	610

FINISH: MILL
PROJECT:
CUSTOMER:
LOCATION:

APPLICATION -
WALL/CORNER CONCEALED PAN EXPANSION JOINT SYSTEM-
ACCEPTS VARIETY OF WALL FINISHES

DATE:	9/4/18
SCALE:	1:4
DOC:	CADJM.203/R2



355-A09-400P

JOINT WIDTH		MOVEMENT ±			
		MINIMUM		MAXIMUM	
US	mm	US	mm	US	mm
16"	406	2 3/4"	70	32"	813

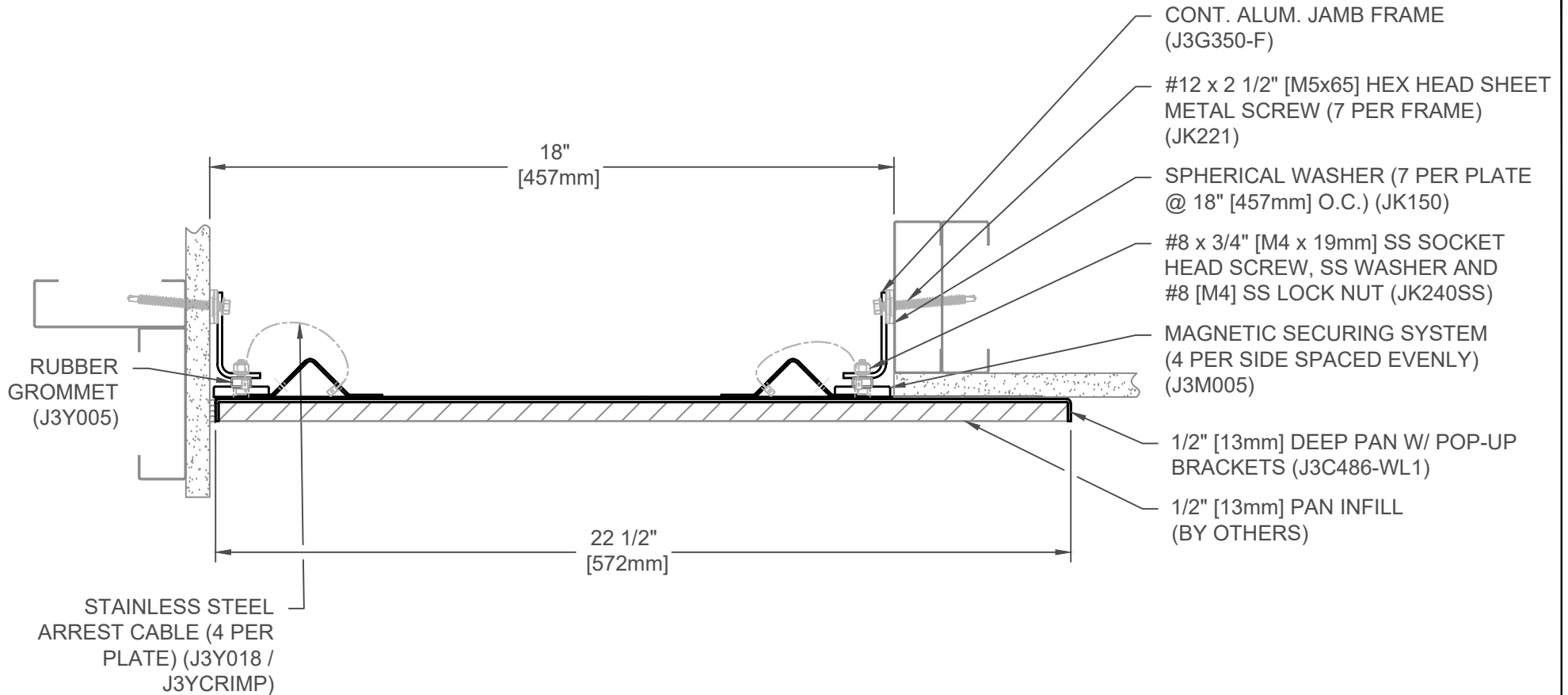
FINISH: MILL
PROJECT:
CUSTOMER:
LOCATION:

APPLICATION -
WALL/CORNER CONCEALED PAN EXPANSION JOINT SYSTEM-
ACCEPTS VARIETY OF WALL FINISHES

DATE:	9/4/18
SCALE:	1:4
DOC:	CADJM.203/R2

inpro.

For More Information Visit: Inprocorp.com



355-A09-450P

JOINT WIDTH		MOVEMENT ±			
		MINIMUM		MAXIMUM	
US	mm	US	mm	US	mm
18"	457	2 3/4"	70	36"	914

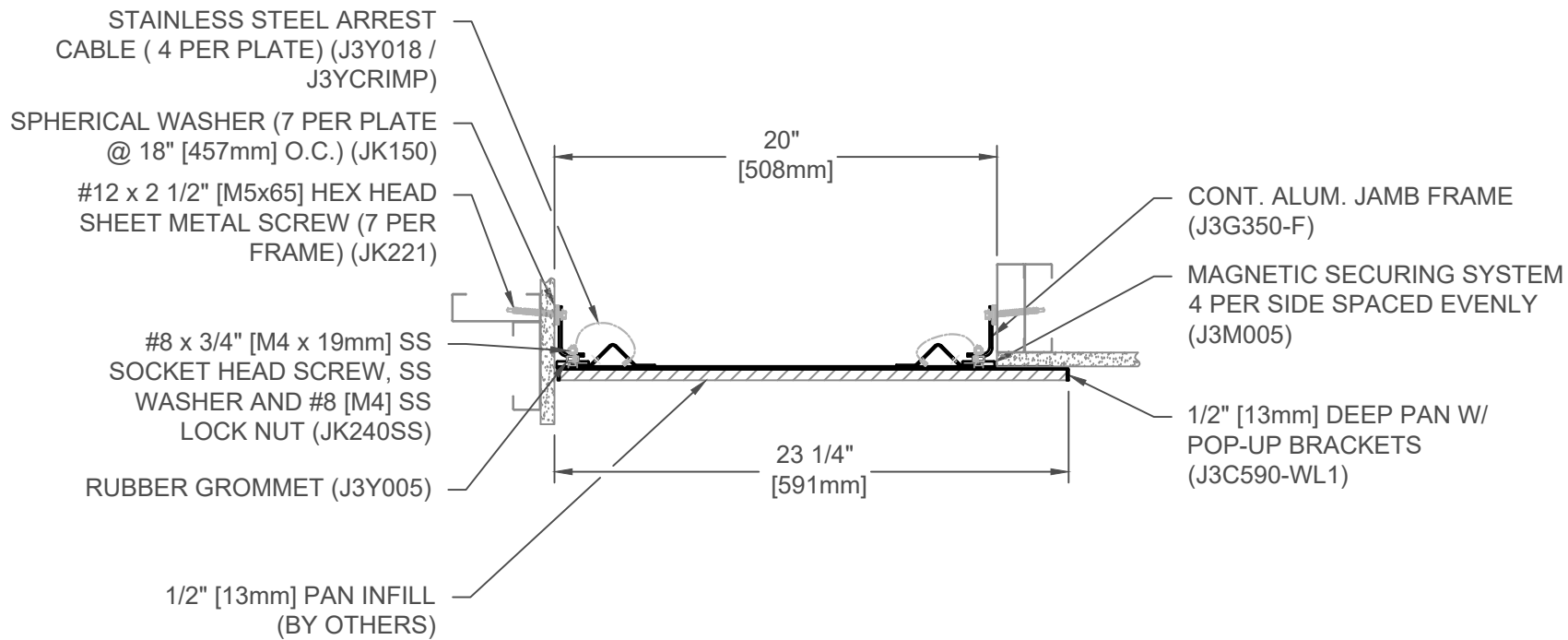
FINISH: MILL
PROJECT:
CUSTOMER:
LOCATION:

APPLICATION -
WALL/CORNER CONCEALED PAN EXPANSION JOINT SYSTEM-
ACCEPTS VARIETY OF WALL FINISHES

DATE:	9/4/18
SCALE:	1:4
DOC:	CADJM.203/R2

inpro.

For More Information Visit: Inprocorp.com



355-A09-500P

JOINT WIDTH		MOVEMENT ±			
		MINIMUM		MAXIMUM	
US	mm	US	mm	US	mm
20"	508	2 3/4"	70	40"	1016

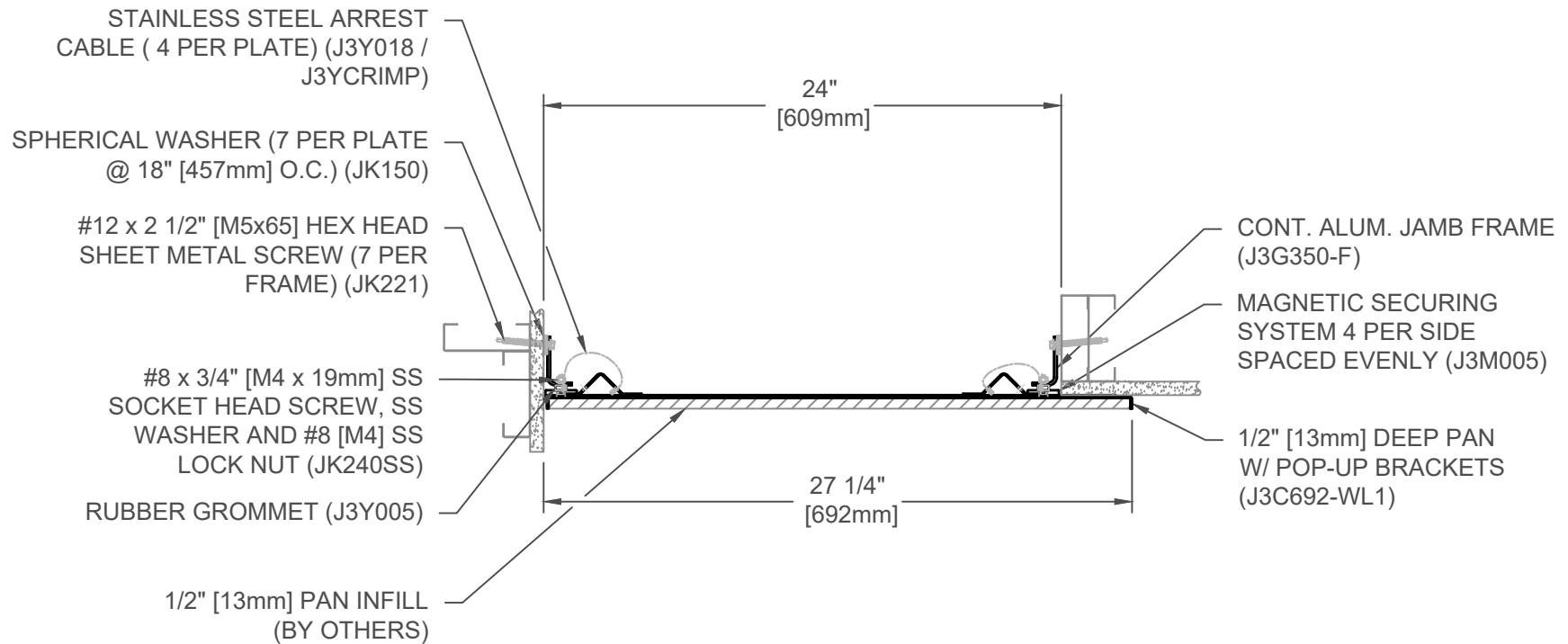
FINISH: MILL
PROJECT:
CUSTOMER:
LOCATION:

APPLICATION -
WALL/CORNER CONCEALED PAN EXPANSION JOINT SYSTEM-
ACCEPTS VARIETY OF WALL FINISHES

DATE:	9/4/18
SCALE:	1:8
DOC:	CADJM.203/R2

inpro.

For More Information Visit: Inprocorp.com



355-A09-600P

JOINT WIDTH		MOVEMENT ±			
		MINIMUM		MAXIMUM	
US	mm	US	mm	US	mm
24"	610	2 3/4"	70	48"	1219

FINISH: MILL
PROJECT:
CUSTOMER:
LOCATION:

APPLICATION -
WALL/CORNER CONCEALED PAN EXPANSION JOINT SYSTEM-
ACCEPTS VARIETY OF WALL FINISHES

DATE:	9/4/18
SCALE:	1:8
DOC:	CADJM.203/R2

inpro.

For More Information Visit: Inprocorp.com