

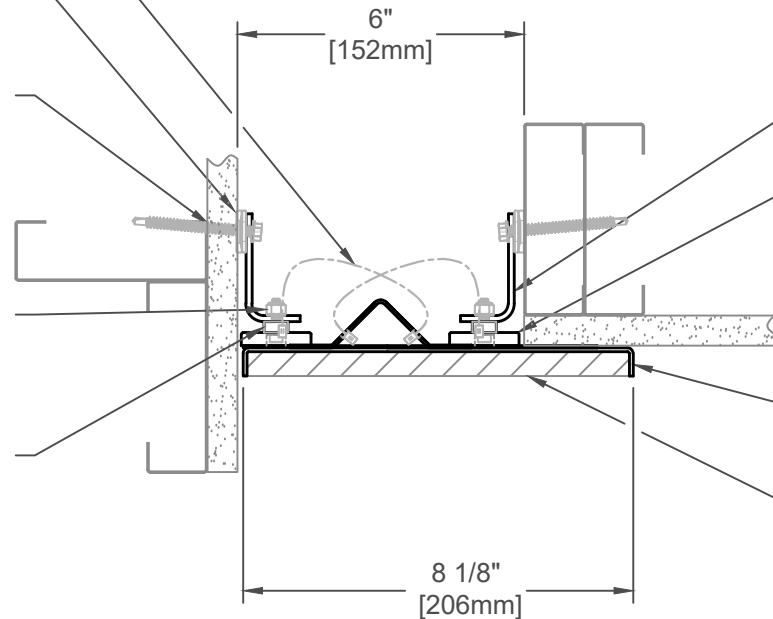
STAINLESS STEEL ARREST
CABLE (8 PER PLATE) (J3Y018 /
J3YCRIMP)

SPHERICAL WASHER (7 PER
PLATE @ 18" [457mm] O.C.)
(JK150)

#12 x 2 1/2" [M5x65] HEX HEAD
SHEET METAL SCREW (7 PER
FRAME) (JK221)

#8 x 3/4" [M4 x 19mm] SS SOCKET
HEAD SCREW, SS WASHER AND
#8 [M4] SS LOCK NUT (JK240SS)

RUBBER GROMMET (J3Y005)



CONT. ALUM. JAMB FRAME
(J3G350-F)

MAGNETIC SECURING
SYSTEM (5 PER SIDE)
SPACED EVENLY (J3M005)

1/2" [13mm] DEEP PAN W/
POP-UP BRACKETS
(J3C206-CE1)

1/2" [13mm] PAN INFILL
(BY OTHERS)

355-A18-150P

JOINT WIDTH		MOVEMENT ±			
		MINIMUM		MAXIMUM	
US	mm	US	mm	US	mm
6"	152	2 3/4"	70	12"	305

FINISH: MILL
PROJECT:
CUSTOMER:
LOCATION:

APPLICATION -
CEILING/WALL CONCEALED PAN EXPANSION JOINT SYSTEM-
ACCEPTS VARIETY OF WALL FINISHES

DATE:	9/4/18
SCALE:	1:4
DOC:	CADJM.207/R2

inpro.

For More Information Visit: Inprocorp.com

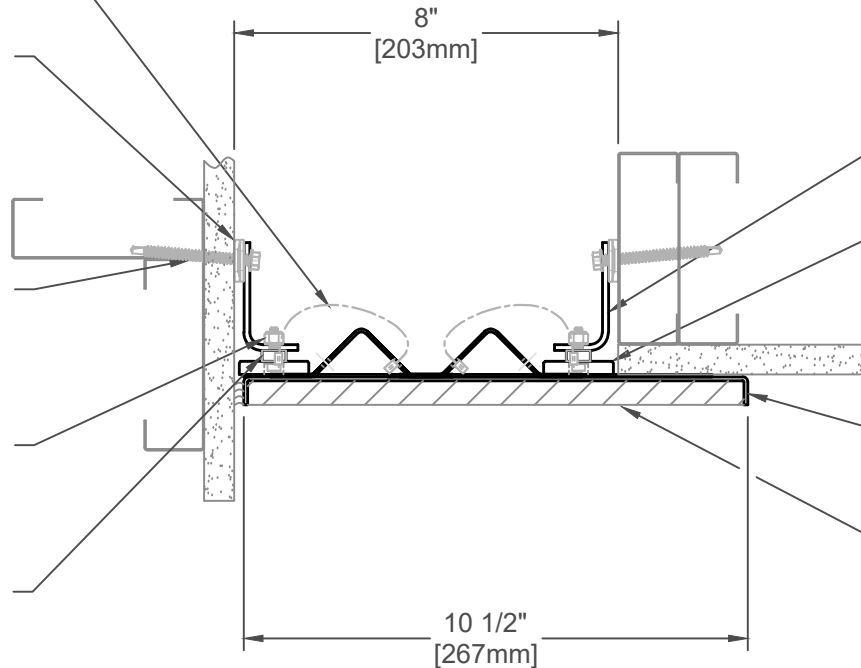
STAINLESS STEEL ARREST
CABLE (8 PER PLATE)
(J3Y018 / J3YCRIMP)

SPHERICAL WASHER (7 PER
PLATE @ 18" [457mm] O.C.)
(JK150)

#12 x 2 1/2" [M5x65] HEX
HEAD SHEET METAL
SCREW (7 PER FRAME)
(JK221)

#8 x 3/4" [M4 x 19mm] SS
SOCKET HEAD SCREW, SS
WASHER AND #8 [M4] SS
LOCK NUT (JK240SS)

RUBBER GROMMET (J3Y005)



CONT. ALUM. JAMB FRAME
(J3G350-F)

MAGNETIC SECURING
SYSTEM (5 PER SIDE)
SPACED EVENLY (J3M005)

1/2" [13mm] DEEP PAN W/
POP-UP BRACKETS
(J3C267-CE1)

1/2" [13mm] PAN INFILL
(BY OTHERS)

355-A18-200P

JOINT WIDTH		MOVEMENT ±			
		MINIMUM		MAXIMUM	
US	mm	US	mm	US	mm
8"	203	2 3/4"	70	16"	406

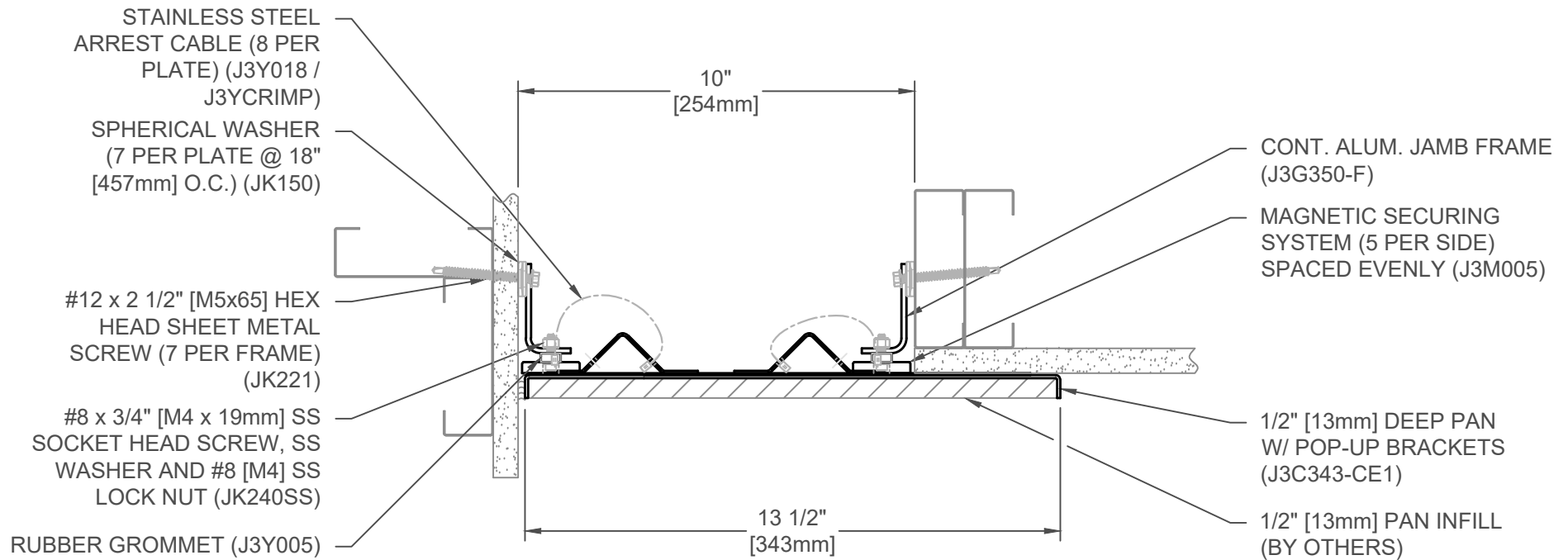
FINISH: MILL
PROJECT:
CUSTOMER:
LOCATION:

APPLICATION -
CEILING/WALL CONCEALED PAN EXPANSION JOINT SYSTEM-
ACCEPTS VARIETY OF WALL FINISHES

DATE:	9/4/18
SCALE:	1:4
DOC:	CADJM.207/R2

inpro.

For More Information Visit: Inprocorp.com



355-A18-250P

JOINT WIDTH		MOVEMENT ±			
		MINIMUM		MAXIMUM	
US	mm	US	mm	US	mm
10"	254	2 3/4"	70	20"	508

FINISH: MILL
PROJECT:
CUSTOMER:
LOCATION:

APPLICATION -
CEILING/WALL CONCEALED PAN EXPANSION JOINT SYSTEM-
ACCEPTS VARIETY OF WALL FINISHES

DATE:	9/4/18
SCALE:	1:4
DOC:	CADJM.207/R2

inpro.

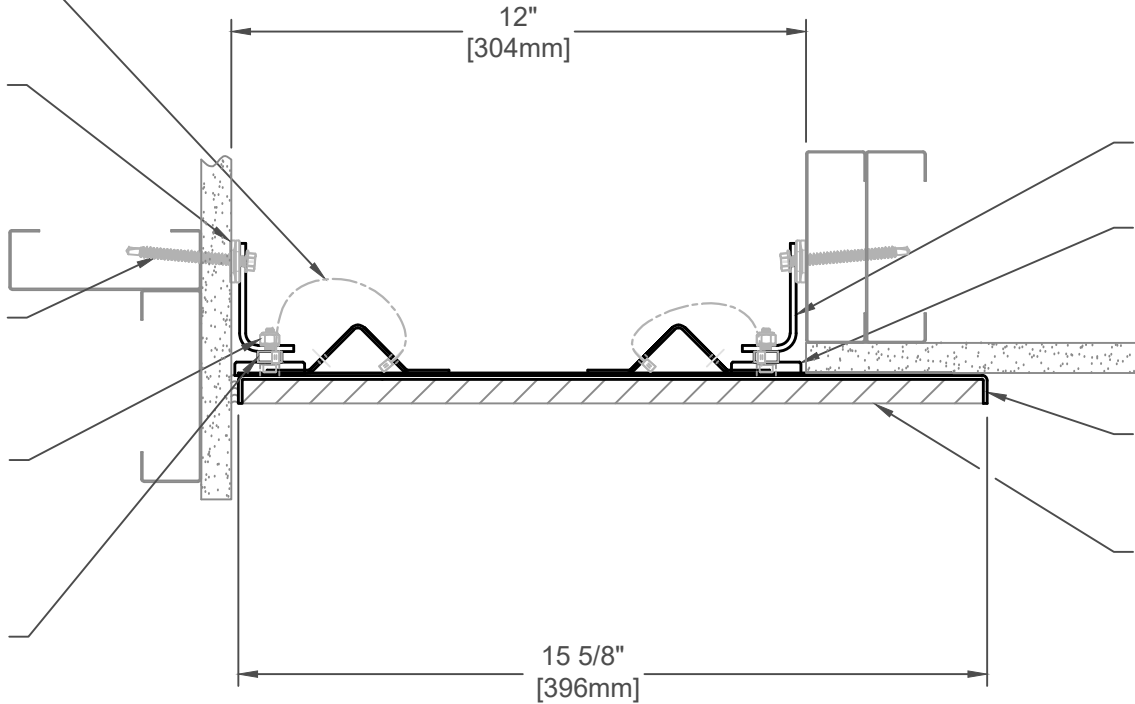
For More Information Visit: Inprocorp.com

STAINLESS STEEL
ARREST CABLE (8 PER
PLATE) (J3Y018 /
J3YCRIMP)
SPHERICAL WASHER
(7 PER PLATE @ 18"
[457mm] O.C.) (JK150)

#12 x 2 1/2" [M5x65] HEX
HEAD SHEET METAL
SCREW (7 PER FRAME)
(JK221)

#8 x 3/4" [M4 x 19mm]
SS SOCKET HEAD
SCREW, SS WASHER
AND #8 [M4] SS LOCK
NUT (JK240SS)

RUBBER GROMMET
(J3Y005)



CONT. ALUM. JAMB
FRAME (J3G350-F)

MAGNETIC SECURING SYSTEM
(5 PER SIDE) SPACED EVENLY
(J3M005)

1/2" [13mm] DEEP PAN W/
POP-UP BRACKETS
(J3C397-CE1)

1/2" [13mm] PAN INFILL
(BY OTHERS)

355-A18-300P

JOINT WIDTH		MOVEMENT ±			
		MINIMUM		MAXIMUM	
US	mm	US	mm	US	mm
12"	305	2 3/4"	70	24"	610

FINISH: MILL
PROJECT:
CUSTOMER:
LOCATION:

APPLICATION -
CEILING/WALL CONCEALED PAN EXPANSION JOINT SYSTEM-
ACCEPTS VARIETY OF WALL FINISHES

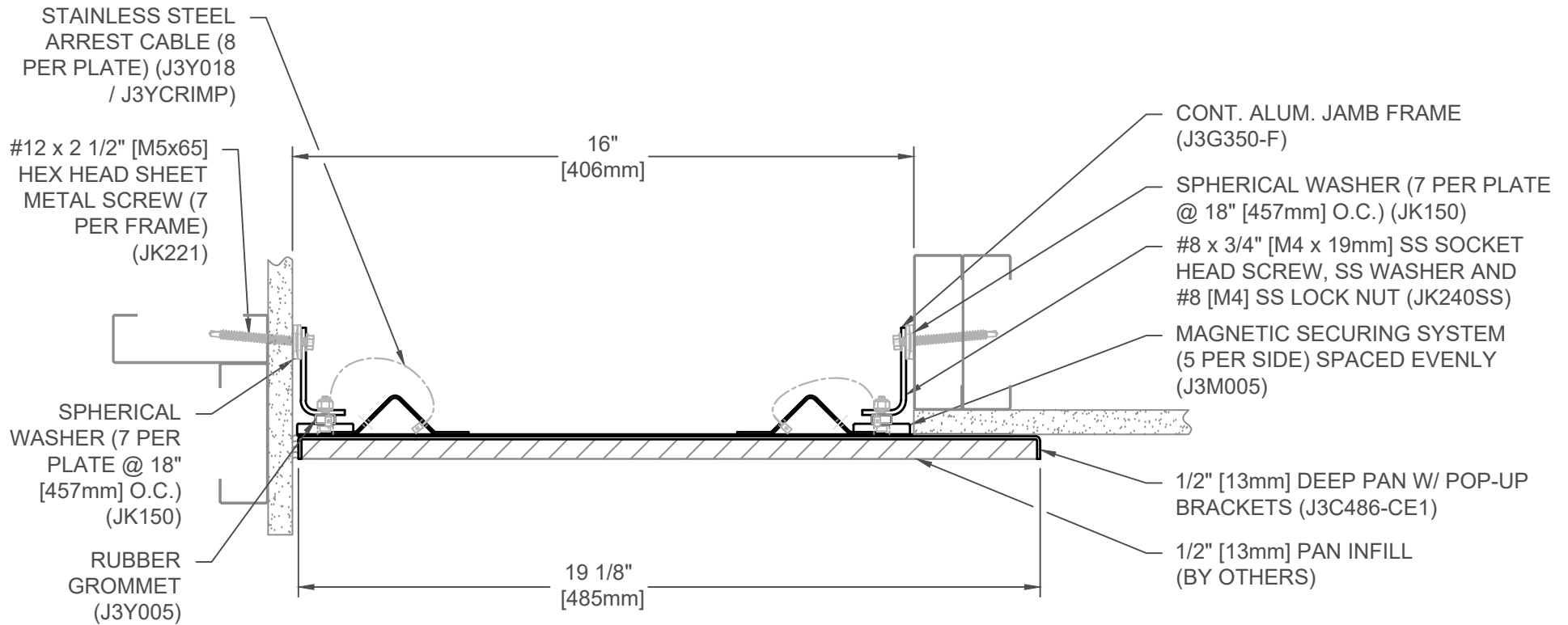
DATE: 9/4/18

SCALE: 1:4

DOC: CADJM.207/R2

inpro.

For More Information Visit: Inprocorp.com



355-A18-400P

JOINT WIDTH		MOVEMENT ±			
		MINIMUM		MAXIMUM	
US	mm	US	mm	US	mm
16"	406	2 3/4"	70	32"	813

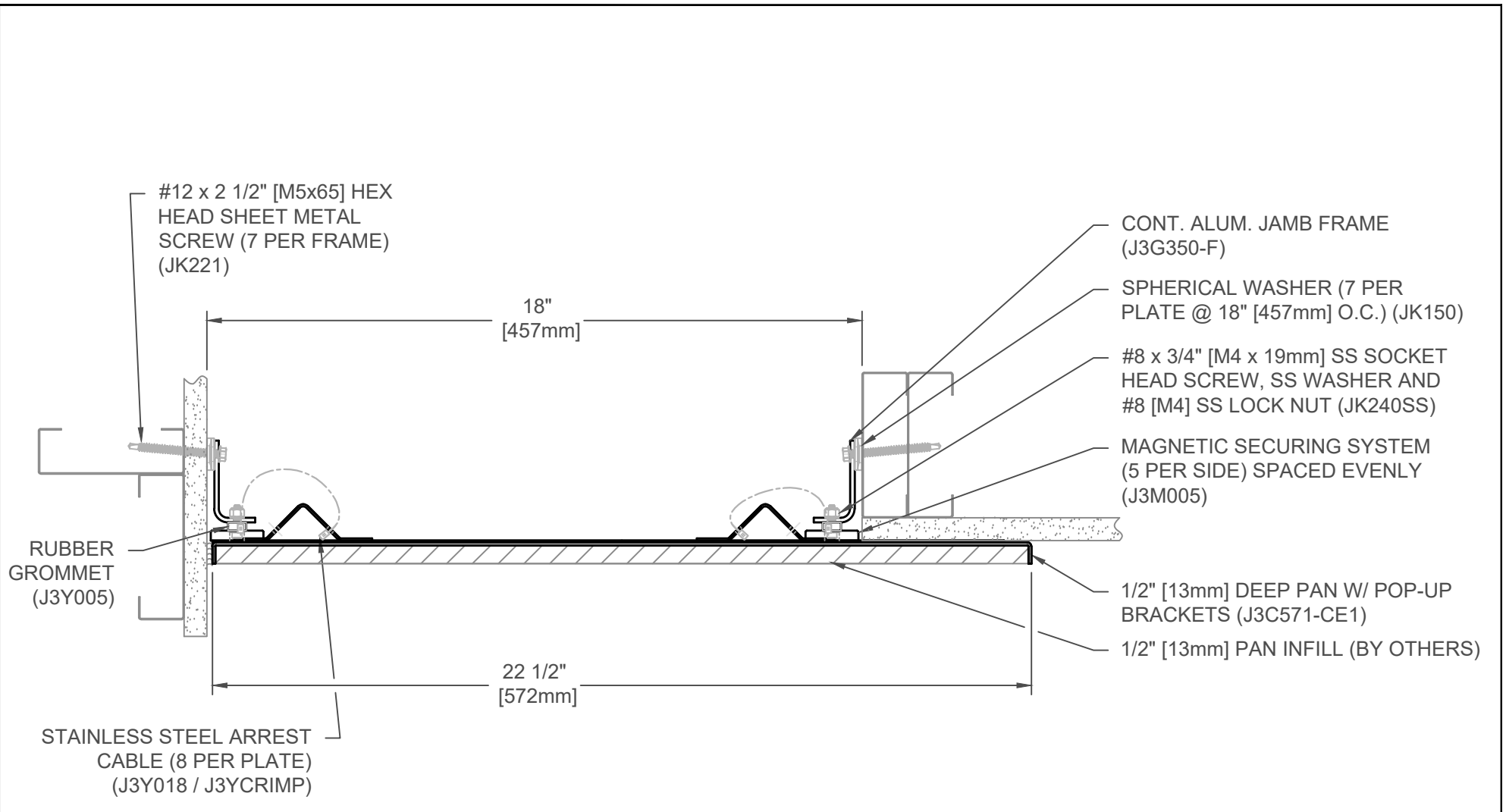
FINISH: MILL
PROJECT:
CUSTOMER:
LOCATION:

APPLICATION -
 CEILING/WALL CONCEALED PAN EXPANSION JOINT SYSTEM-
 ACCEPTS VARIETY OF WALL FINISHES

DATE:	9/4/18
SCALE:	1:4
DOC:	CADJM.207/R2



For More Information Visit: Inprocorp.com



355-A18-450P

JOINT WIDTH		MOVEMENT ±			
		MINIMUM		MAXIMUM	
US	mm	US	mm	US	mm
18"	457	2 3/4"	70	36"	914

FINISH: MILL
PROJECT:
CUSTOMER:
LOCATION:

APPLICATION -
 CEILING/WALL CONCEALED PAN EXPANSION JOINT SYSTEM-
 ACCEPTS VARIETY OF WALL FINISHES

DATE:	9/4/18
SCALE:	1:4
DOC:	CADJM.207/R2

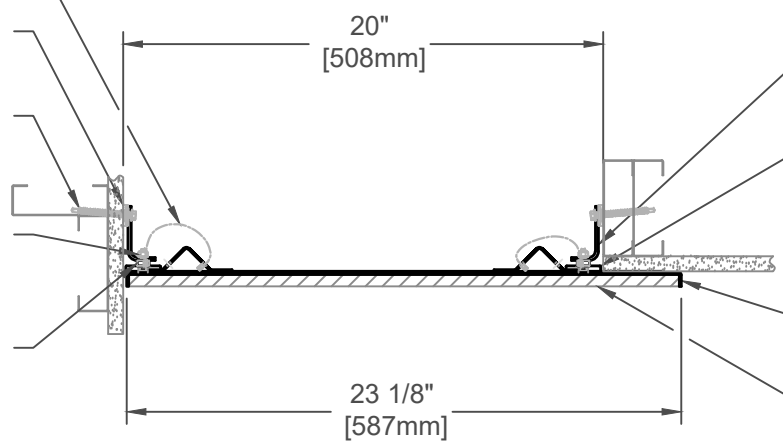
STAINLESS STEEL ARREST CABLE
(8 PER PLATE) (J3Y018 / J3YCRIMP)

SPHERICAL WASHER (7 PER PLATE
@ 18" [457mm] O.C.) (JK150)

#12 x 2 1/2" [M5x65] HEX HEAD SHEET
METAL SCREW (7 PER FRAME) (JK221)

#8 x 3/4" [M4 x 19mm] SS SOCKET
HEAD SCREW, SS WASHER AND
#8 [M4] SS LOCK NUT (JK240SS)

RUBBER GROMMET (J3Y005)



CONT. ALUM. JAMB FRAME
(J3G350-F)

MAGNETIC SECURING SYSTEM
(5 PER SIDE) SPACED EVENLY
(J3M005)

1/2" [13mm] DEEP PAN W/ POP-UP
BRACKETS (J3C590-CE1)

1/2" [13mm] PAN INFILL
(BY OTHERS)

355-A18-500P

JOINT WIDTH		MOVEMENT ±			
		MINIMUM		MAXIMUM	
US	mm	US	mm	US	mm
20"	508	2 3/4"	70	40"	1016

FINISH: MILL
PROJECT:
CUSTOMER:
LOCATION:

APPLICATION -
CEILING/WALL CONCEALED PAN EXPANSION JOINT SYSTEM-
ACCEPTS VARIETY OF WALL FINISHES

DATE:	9/4/18
SCALE:	1:8
DOC:	CADJM.207/R2

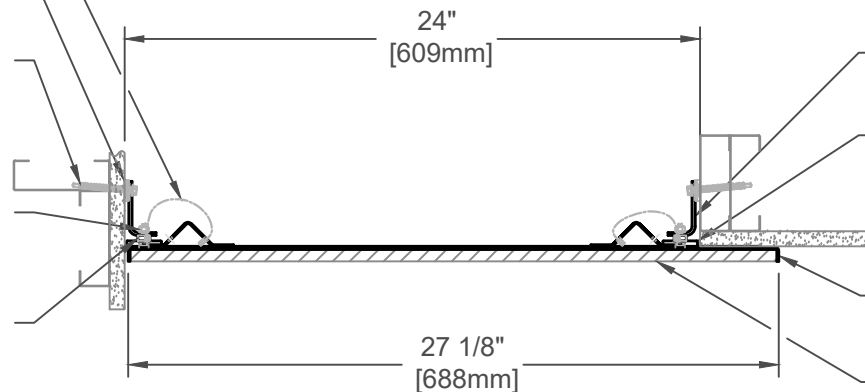


STAINLESS STEEL ARREST CABLE
(8 PER PLATE) (J3Y018 / J3YCRIMP)

SPHERICAL WASHER (7 PER PLATE
@ 18" [457mm] O.C.) (JK150)

#12 x 2 1/2" [M5x65] HEX HEAD
SHEET METAL SCREW (7 PER
FRAME) (JK221)

#8 x 3/4" [M4 x 19mm] SS SOCKET
HEAD SCREW, SS WASHER AND
#8 [M4] SS LOCK NUT (JK240SS)
RUBBER GROMMET (J3Y005)



CONT. ALUM. JAMB FRAME
(J3G350-F)

MAGNETIC SECURING SYSTEM
(5 PER SIDE) EVENLY SPACED
(J3M005)

1/2" [13mm] DEEP PAN W/ POP-UP
BRACKETS (J3C692-CE1)

1/2" [13mm] PAN INFILL
(BY OTHERS)

355-A18-600P

JOINT WIDTH		MOVEMENT ±			
		MINIMUM		MAXIMUM	
US	mm	US	mm	US	mm
24"	610	2 3/4"	70	48"	1219

FINISH: MILL
PROJECT:
CUSTOMER:
LOCATION:

APPLICATION -
CEILING/WALL CONCEALED PAN EXPANSION JOINT SYSTEM-
ACCEPTS VARIETY OF WALL FINISHES

DATE:	9/4/18
SCALE:	1:8
DOC:	CADJM.207/R2

inpro.
For More Information Visit: Inprocorp.com