

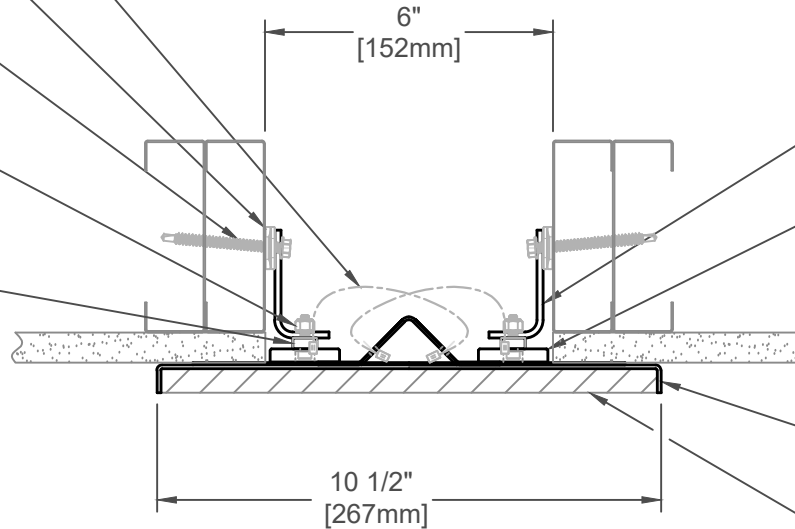
STAINLESS STEEL ARREST
CABLE (8 PER PLATE) (J3Y018 /
J3YCRIMP)

SPHERICAL WASHER (7 PER
PLATE @ 18" [457mm] O.C.)
(JK150)

#12 x 2 1/2" [M5x65] HEX HEAD
SHEET METAL SCREW (7 PER
FRAME) (JK221)

#8 x 3/4" [M4 x 19mm] SS
SOCKET HEAD SCREW, SS
WASHER AND #8 [M4] SS LOCK
NUT (JK240SS)

RUBBER GROMMET (J3Y005)



CONT. ALUM. JAMB FRAME
(J3G350-F)

MAGNETIC SECURING SYSTEM
(5 PER SIDE) SPACED EVENLY
(J3M005)

1/2" [13mm] DEEP PAN W/ POP-UP
BRACKETS (J3C267-CE)

1/2" [13mm] PAN INFILL
(BY OTHERS)

355-A24-150P

| JOINT WIDTH | | MOVEMENT ± | | | |
|-------------|-----|------------|----|---------|-----|
| | | MINIMUM | | MAXIMUM | |
| US | mm | US | mm | US | mm |
| 6" | 152 | 2 3/4" | 70 | 12" | 305 |

| |
|--------------|
| FINISH: MILL |
| PROJECT: |
| CUSTOMER: |
| LOCATION: |

APPLICATION -
CEILING/CEILING CONCEALED PAN EXPANSION JOINT SYSTEM-
ACCEPTS VARIETY OF WALL FINISHES

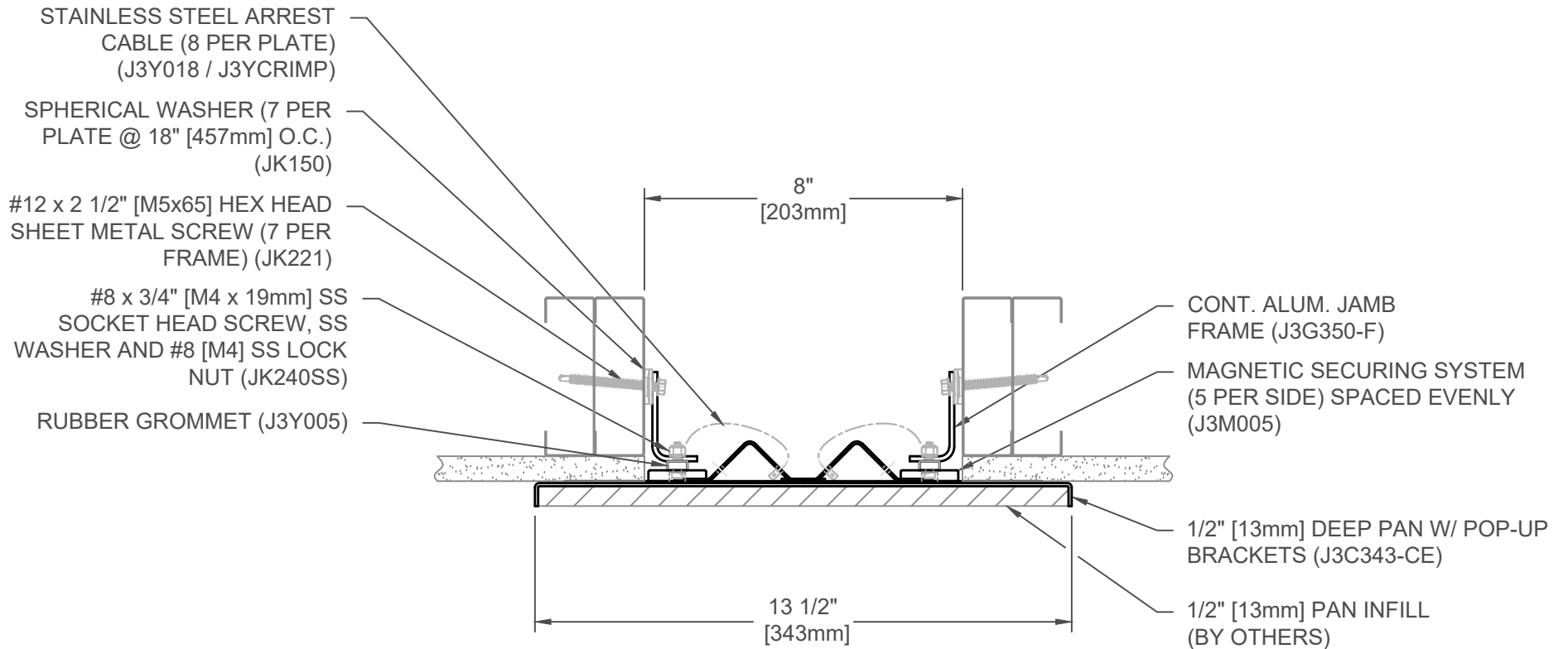
DATE: 9/4/18

SCALE: 1:4

DOC: CADJM.206/R2

inpro.

For More Information Visit: Inprocorp.com



355-A24-200P

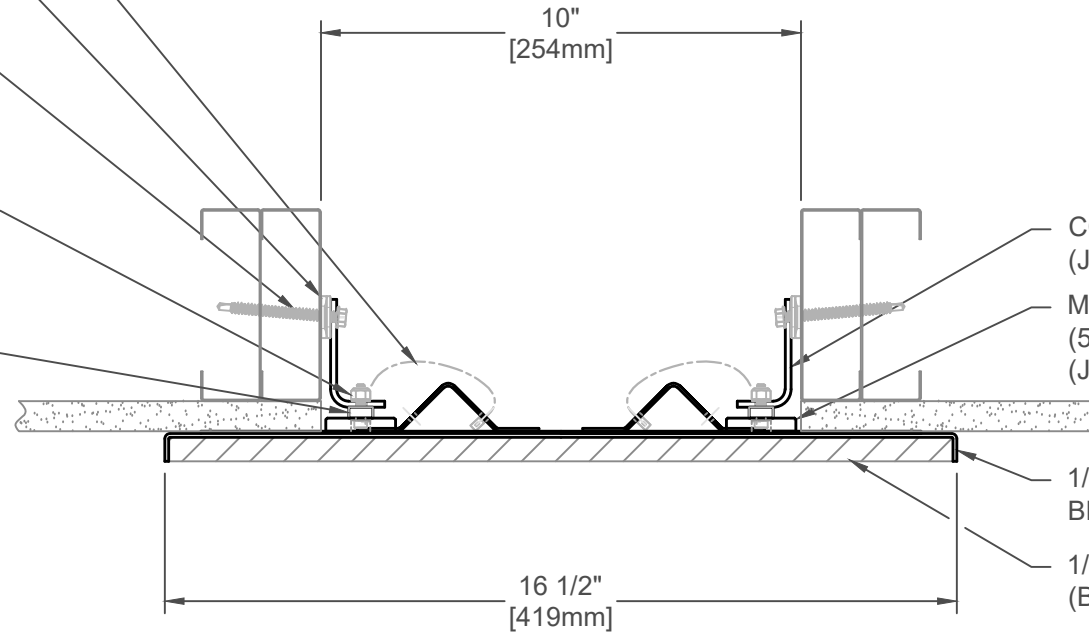
| JOINT WIDTH | | MOVEMENT ± | | | |
|-------------|-----|------------|----|---------|-----|
| | | MINIMUM | | MAXIMUM | |
| US | mm | US | mm | US | mm |
| 8" | 203 | 2 3/4" | 70 | 16" | 406 |

| |
|--------------|
| FINISH: MILL |
| PROJECT: |
| CUSTOMER: |
| LOCATION: |

APPLICATION -
CEILING/CEILING CONCEALED PAN EXPANSION JOINT SYSTEM-
ACCEPTS VARIETY OF WALL FINISHES

| | |
|--------|--------------|
| DATE: | 9/4/18 |
| SCALE: | 1:4 |
| DOC: | CADJM.206/R2 |

- STAINLESS STEEL ARREST CABLE (8 PER PLATE) (J3Y018 / J3YCRIMP)
- SPHERICAL WASHER (7 PER PLATE @ 18" [457mm] O.C.) (JK150)
- #12 x 2 1/2" [M5x65] HEX HEAD SHEET METAL SCREW (7 PER FRAME) (JK221)
- #8 x 3/4" [M4 x 19mm] SS SOCKET HEAD SCREW, SS WASHER AND #8 [M4] SS LOCK NUT (JK240SS)
- RUBBER GROMMET (J3Y005)



- CONT. ALUM. JAMB FRAME (J3G350-F)
- MAGNETIC SECURING SYSTEM (5 PER SIDE) SPACED EVENLY (J3M005)
- 1/2" [13mm] DEEP PAN W/ POP-UP BRACKETS (J3C419-CE)
- 1/2" [13mm] PAN INFILL (BY OTHERS)

355-A24-250P

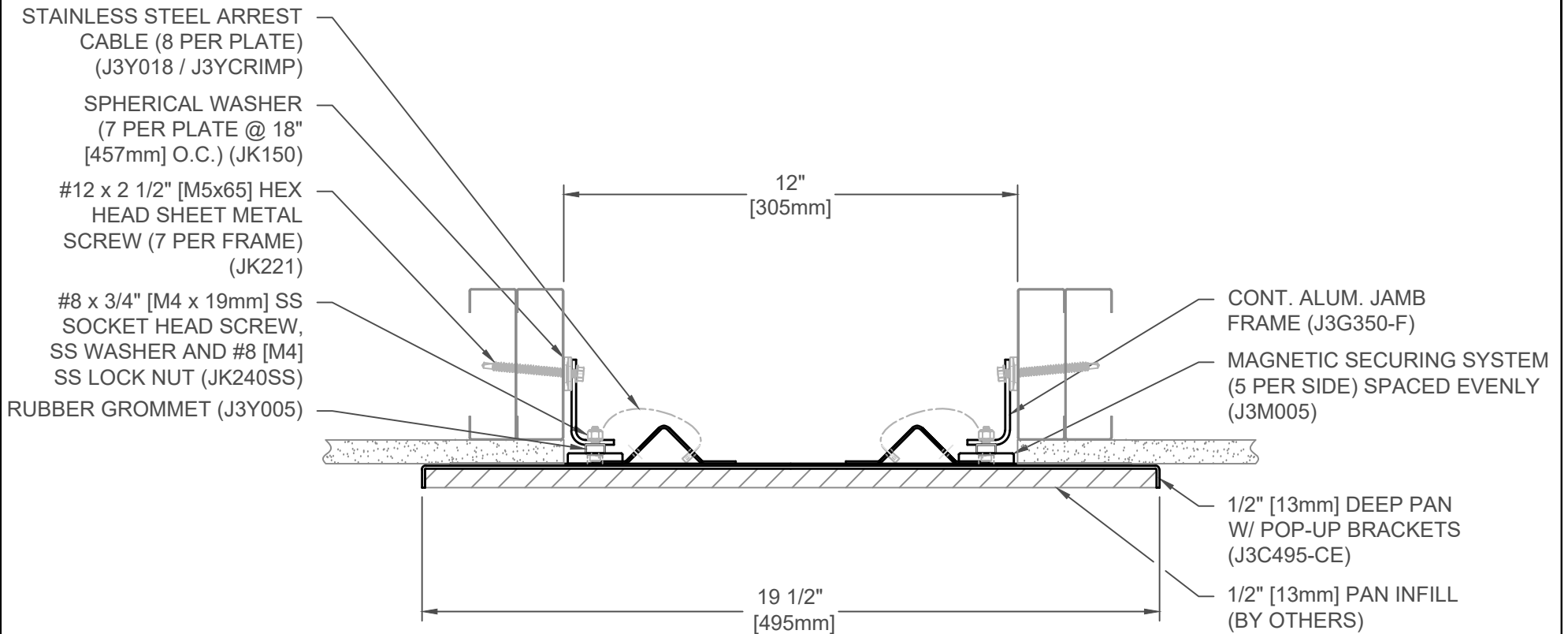
| JOINT WIDTH | | MOVEMENT ± | | | |
|-------------|-----|------------|----|---------|-----|
| | | MINIMUM | | MAXIMUM | |
| US | mm | US | mm | US | mm |
| 10" | 254 | 2 3/4" | 70 | 20" | 508 |

| |
|--------------|
| FINISH: MILL |
| PROJECT: |
| CUSTOMER: |
| LOCATION: |

APPLICATION -
CEILING/CEILING CONCEALED PAN EXPANSION JOINT SYSTEM-
ACCEPTS VARIETY OF WALL FINISHES

| | |
|--------|--------------|
| DATE: | 9/4/18 |
| SCALE: | 1:4 |
| DOC: | CADJM.206/R2 |





355-A24-300P

| JOINT WIDTH | | MOVEMENT ± | | | |
|-------------|-----|------------|----|---------|-----|
| | | MINIMUM | | MAXIMUM | |
| US | mm | US | mm | US | mm |
| 12" | 305 | 2 3/4" | 70 | 24" | 610 |

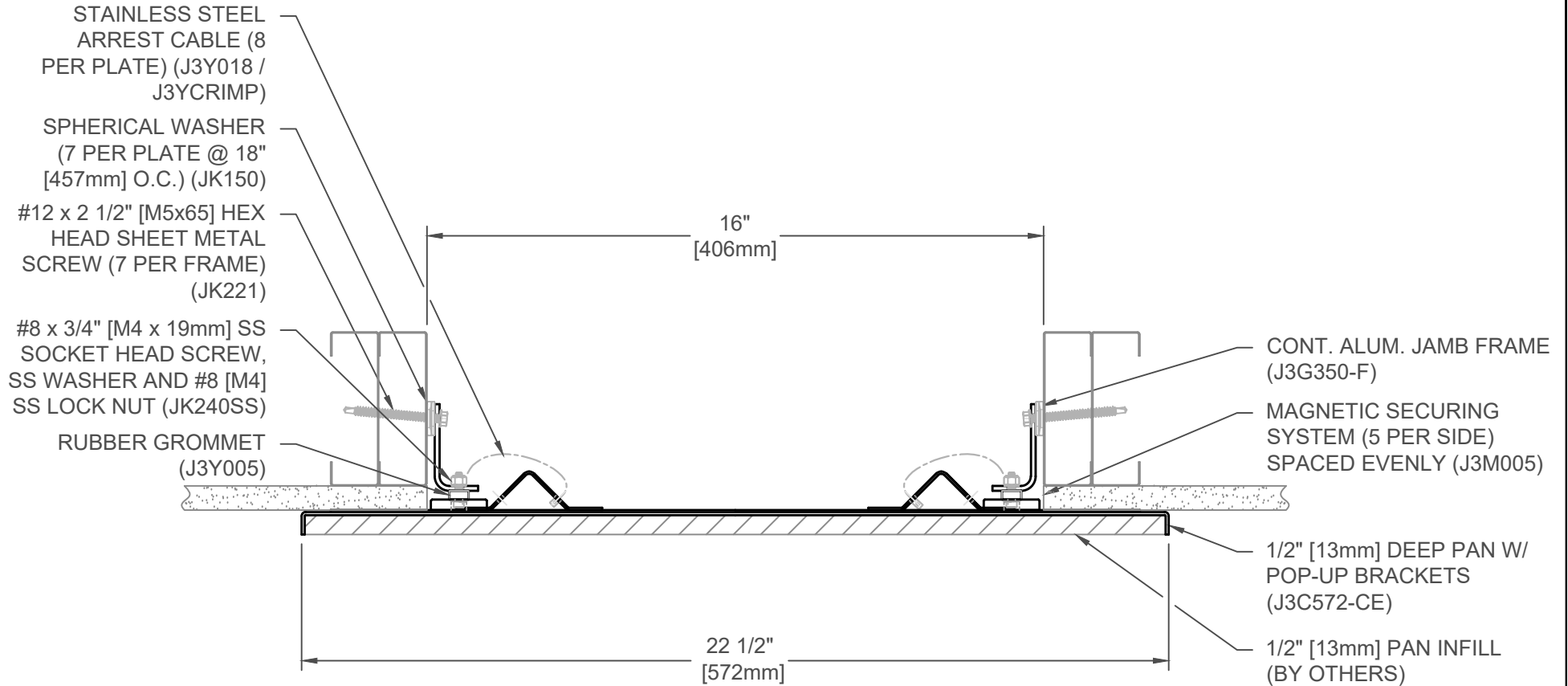
| |
|--------------|
| FINISH: MILL |
| PROJECT: |
| CUSTOMER: |
| LOCATION: |

APPLICATION -
 CEILING/CEILING CONCEALED PAN EXPANSION JOINT SYSTEM-
 ACCEPTS VARIETY OF WALL FINISHES

| | |
|--------|--------------|
| DATE: | 9/4/18 |
| SCALE: | 1:4 |
| DOC: | CADJM.206/R2 |



For More Information Visit: Inprocorp.com



355-A24-400P

| JOINT WIDTH | | MOVEMENT ± | | | |
|-------------|-----|------------|----|---------|-----|
| | | MINIMUM | | MAXIMUM | |
| US | mm | US | mm | US | mm |
| 16" | 406 | 2 3/4" | 70 | 32" | 813 |

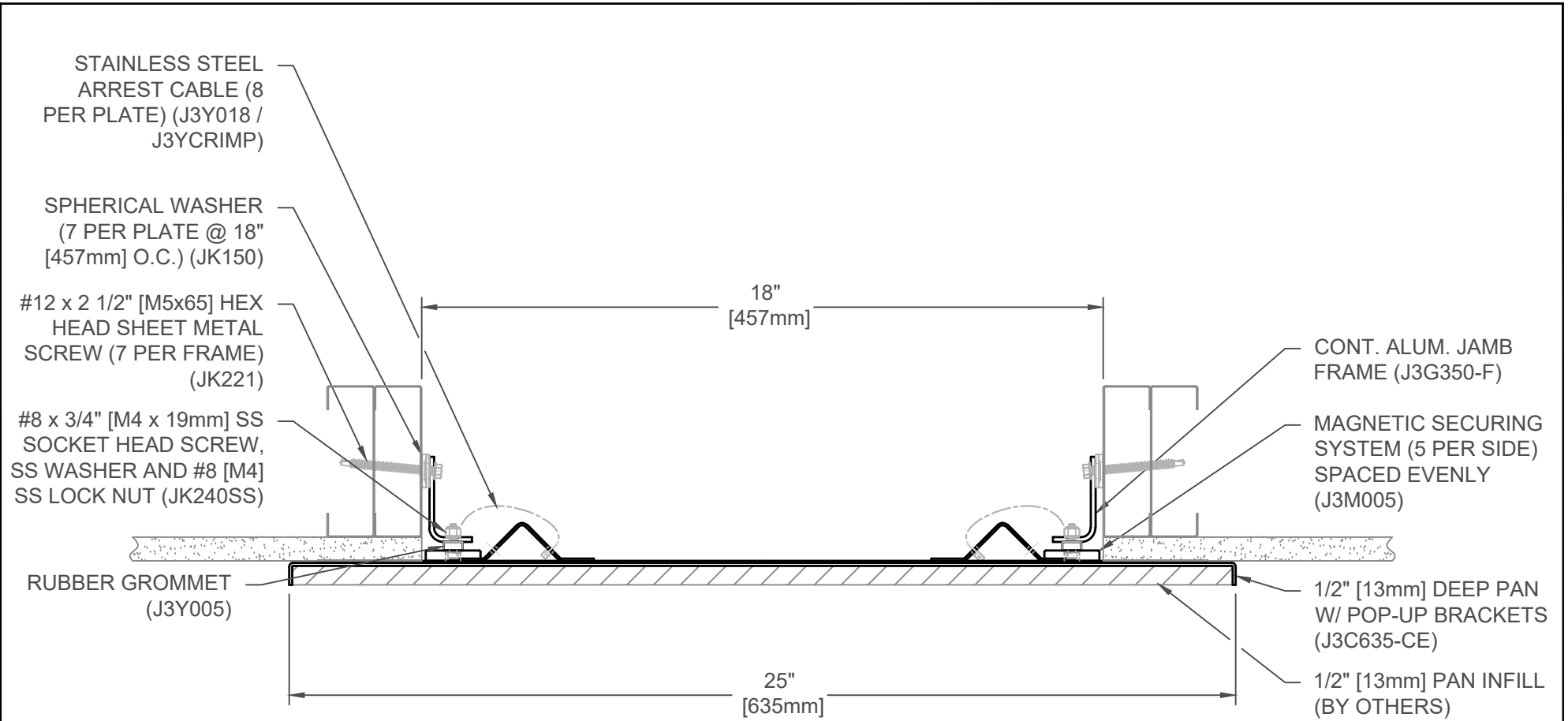
| |
|--------------|
| FINISH: MILL |
| PROJECT: |
| CUSTOMER: |
| LOCATION: |

APPLICATION -
 CEILING/CEILING CONCEALED PAN EXPANSION JOINT SYSTEM-
 ACCEPTS VARIETY OF WALL FINISHES

| | |
|--------|--------------|
| DATE: | 9/4/18 |
| SCALE: | 1:4 |
| DOC: | CADJM.206/R2 |



For More Information Visit: Inprocorp.com



355-A24-450P

| JOINT WIDTH | | MOVEMENT ± | | | |
|-------------|-----|------------|----|---------|-----|
| | | MINIMUM | | MAXIMUM | |
| US | mm | US | mm | US | mm |
| 18" | 457 | 2 3/4" | 70 | 36" | 914 |

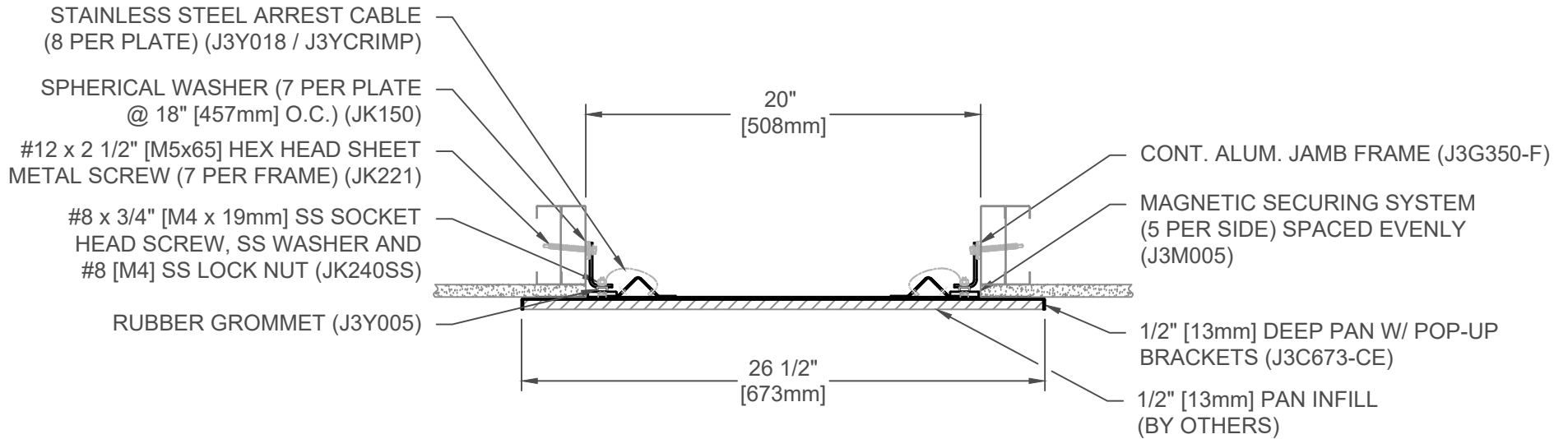
| |
|--------------|
| FINISH: MILL |
| PROJECT: |
| CUSTOMER: |
| LOCATION: |

APPLICATION -
 CEILING/CEILING CONCEALED PAN EXPANSION JOINT SYSTEM-
 ACCEPTS VARIETY OF WALL FINISHES

| | |
|--------|--------------|
| DATE: | 9/4/18 |
| SCALE: | 1:4 |
| DOC: | CADJM.206/R2 |



For More Information Visit: Inprocorp.com



355-A24-500P

| JOINT WIDTH | | MOVEMENT ± | | | |
|-------------|-----|------------|----|---------|------|
| | | MINIMUM | | MAXIMUM | |
| US | mm | US | mm | US | mm |
| 20" | 508 | 2 3/4" | 70 | 40" | 1016 |

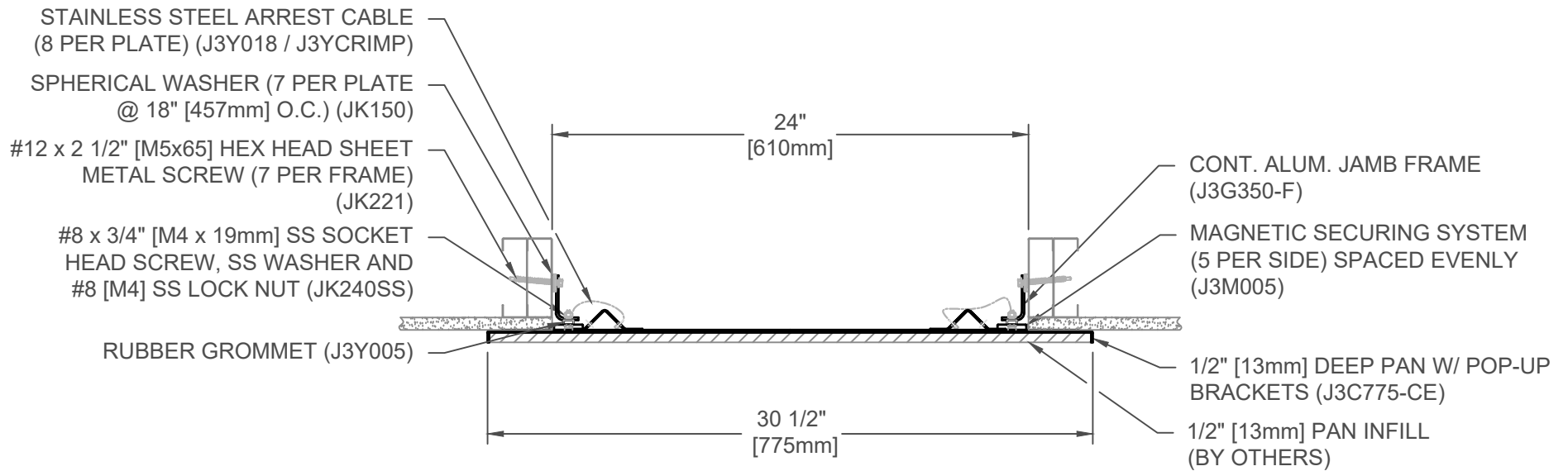
| |
|--------------|
| FINISH: MILL |
| PROJECT: |
| CUSTOMER: |
| LOCATION: |

APPLICATION -
 CEILING/CEILING CONCEALED PAN EXPANSION JOINT SYSTEM-
 ACCEPTS VARIETY OF WALL FINISHES

| | |
|--------|--------------|
| DATE: | 9/4/18 |
| SCALE: | 1:8 |
| DOC: | CADJM.206/R2 |

inpro.

For More Information Visit: Inprocorp.com



355-A24-600P

| JOINT WIDTH | | MOVEMENT ± | | | |
|-------------|-----|------------|----|---------|------|
| | | MINIMUM | | MAXIMUM | |
| US | mm | US | mm | US | mm |
| 24" | 610 | 2 3/4" | 70 | 48" | 1219 |

| |
|--------------|
| FINISH: MILL |
| PROJECT: |
| CUSTOMER: |
| LOCATION: |

APPLICATION -
 CEILING/CEILING CONCEALED PAN EXPANSION JOINT SYSTEM-
 ACCEPTS VARIETY OF WALL FINISHES

| | |
|--------|--------------|
| DATE: | 9/4/18 |
| SCALE: | 1:8 |
| DOC: | CADJM.206/R2 |



For More Information Visit: Inprocorp.com