

430-A02-025

NOTE:
TO DETERMINE BLOCKOUT DEPTH,
DEDUCT THICKNESS OF THE FIN.
FLR. FROM FRAME HEIGHT

JOINT WIDTH		MOVEMENT ±			
		HORIZONTAL		VERTICAL	
US	mm	US	mm	US	mm
1"	25	1/2"	13	1/2"	13

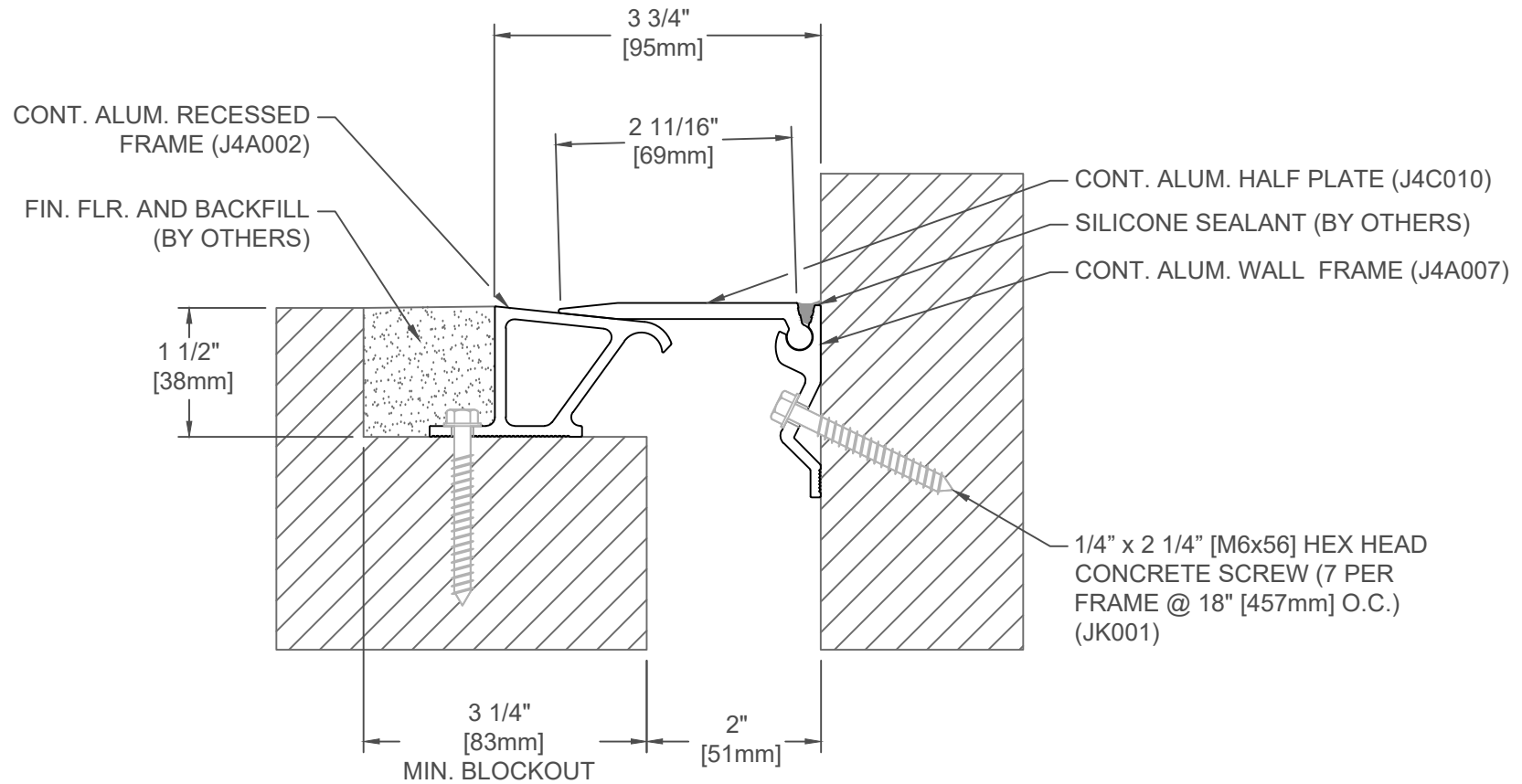
FINISH: MILL
PROJECT:
CUSTOMER:
LOCATION:

APPLICATION-
RECESSED FLOOR/WALL CONDITION

DATE:	11-19-14
SCALE:	1:2
DOC:	CADJM.025/R3

inpro.

For More Information Visit: Inprocorp.com



430-A02-050

NOTE:
TO DETERMINE BLOCKOUT DEPTH,
DEDUCT THICKNESS OF THE FIN.
FLR. FROM FRAME HEIGHT

JOINT WIDTH		MOVEMENT ±			
		HORIZONTAL		VERTICAL	
US	mm	US	mm	US	mm
2"	51	1"	25	1/2"	13

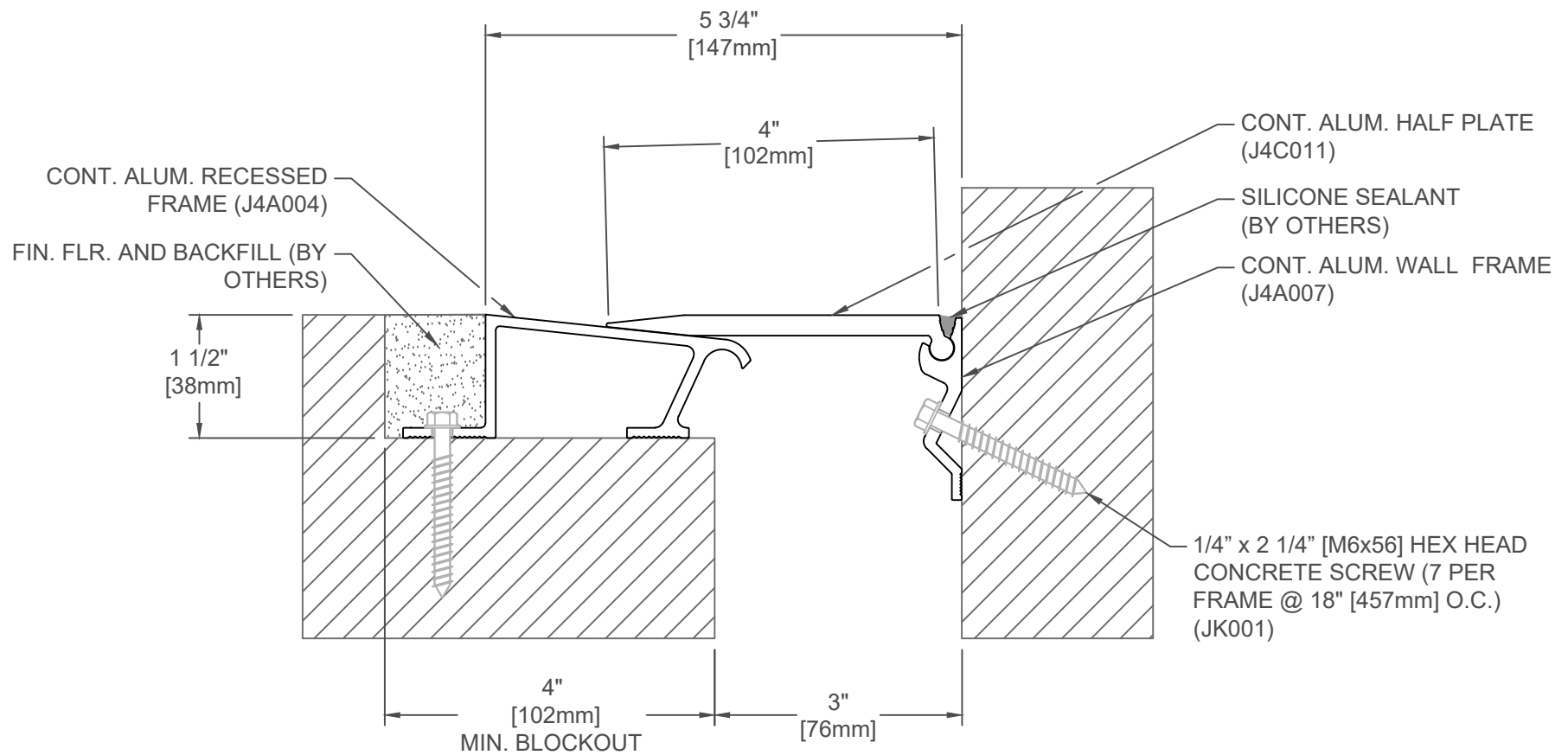
FINISH: MILL
PROJECT:
CUSTOMER:
LOCATION:

APPLICATION-
RECESSED FLOOR/WALL CONDITION

DATE:	11-19-14
SCALE:	1:2
DOC:	CADJM.025/R3

inpro.

For More Information Visit: Inprocorp.com



430-A02-075

NOTE:
TO DETERMINE BLOCKOUT DEPTH,
DEDUCT THICKNESS OF THE FIN.
FLR. FROM FRAME HEIGHT

JOINT WIDTH		MOVEMENT ±			
		HORIZONTAL		VERTICAL	
US	mm	US	mm	US	mm
3"	76	1-1/2"	38	3/4"	19

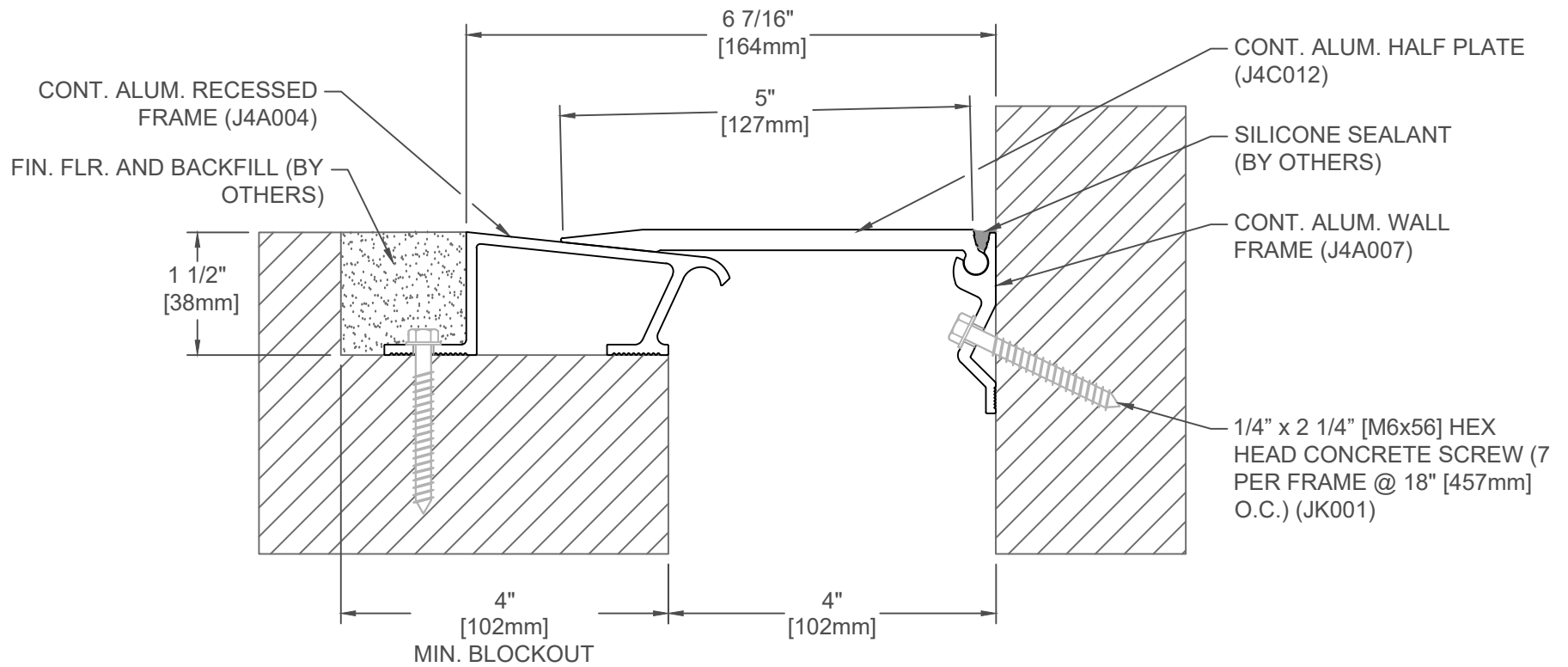
FINISH: MILL
PROJECT:
CUSTOMER:
LOCATION:

APPLICATION-
RECESSED FLOOR/WALL CONDITION

DATE:	11-19-14
SCALE:	1:2
DOC:	CADJM.025/R3

inpro.

For More Information Visit: Inprocorp.com



430-A02-100

NOTE:
TO DETERMINE BLOCKOUT DEPTH,
DEDUCT THICKNESS OF THE FIN.
FLR. FROM FRAME HEIGHT

JOINT WIDTH		MOVEMENT ±			
		HORIZONTAL		VERTICAL	
US	mm	US	mm	US	mm
4"	102	2"	51	1"	25

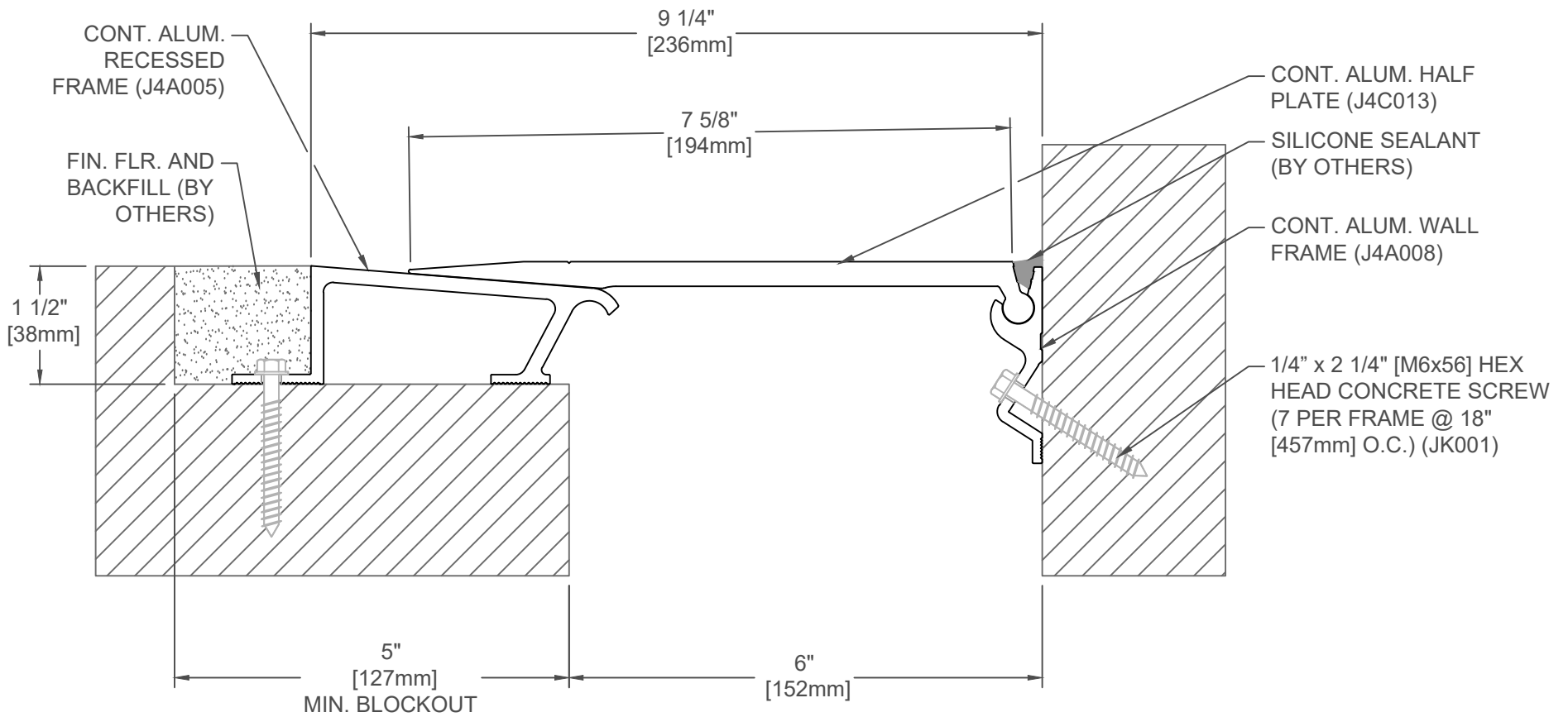
FINISH: MILL
PROJECT:
CUSTOMER:
LOCATION:

APPLICATION-
RECESSED FLOOR/WALL CONDITION

DATE:	11-19-14
SCALE:	1:2
DOC:	CADJM.025/R3

inpro.

For More Information Visit: Inprocorp.com



430-A02-150

NOTE:
TO DETERMINE BLOCKOUT DEPTH,
DEDUCT THICKNESS OF THE FIN.
FLR. FROM FRAME HEIGHT

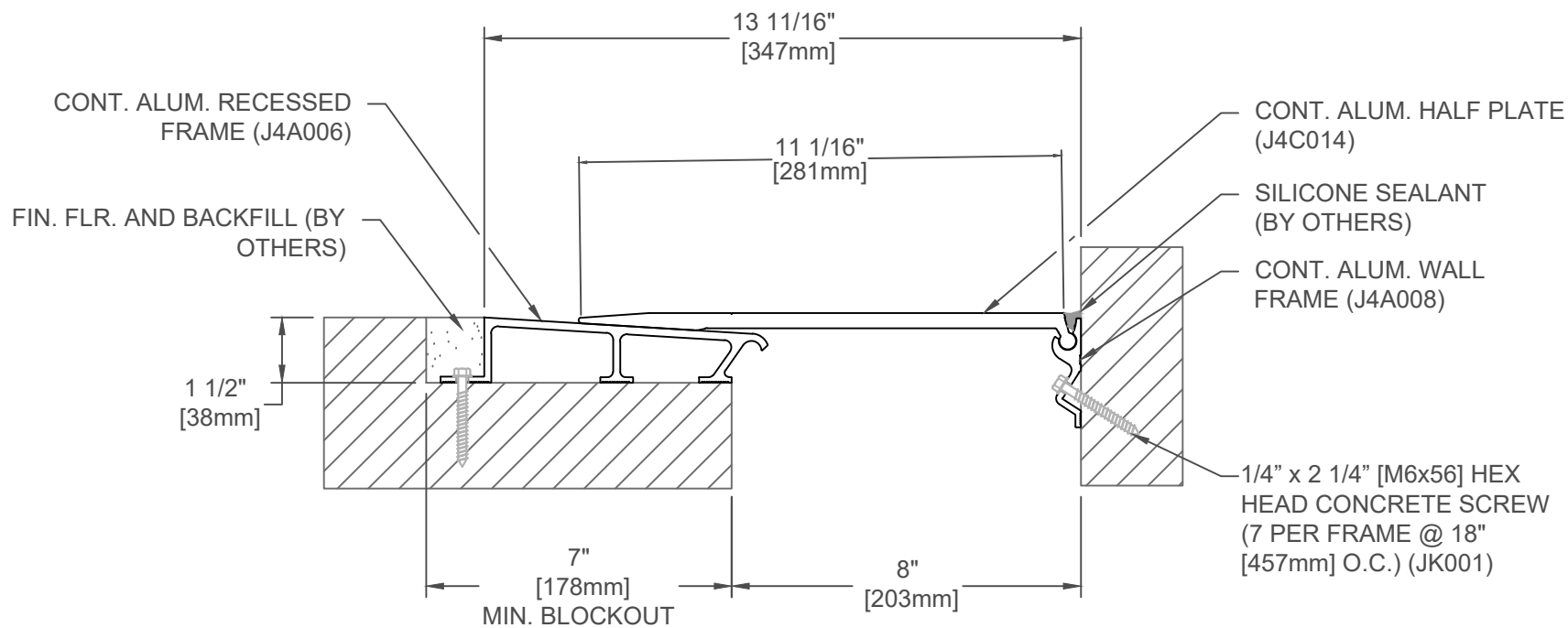
JOINT WIDTH		MOVEMENT ±			
		HORIZONTAL		VERTICAL	
US	mm	US	mm	US	mm
6"	152	3"	76	1-1/2"	38

FINISH: MILL
PROJECT:
CUSTOMER:
LOCATION:

APPLICATION-
RECESSED FLOOR/WALL CONDITION

DATE:	8-3-15
SCALE:	1:2
DOC:	CADJM.025/R3

inpro.
For More Information Visit: Inprocorp.com



430-A02-200

NOTE:
TO DETERMINE BLOCKOUT DEPTH,
DEDUCT THICKNESS OF THE FIN. FLR.
FROM FRAME HEIGHT

JOINT WIDTH		MOVEMENT ±			
		HORIZONTAL		VERTICAL	
US	mm	US	mm	US	mm
8"	203	4"	102	2"	51

FINISH: MILL
PROJECT:
CUSTOMER:
LOCATION:

APPLICATION-
RECESSED FLOOR/WALL CONDITION

DATE:	5-13-15
SCALE:	1:4
DOC:	CADJM.025/R3

inpro.
For More Information Visit: Inprocorp.com