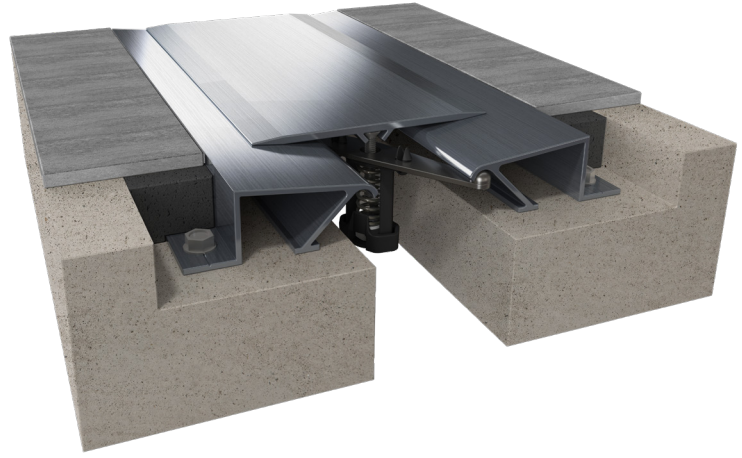


430/432 Series

A01 - Floor to Floor

A02 - Floor to Wall



Movement Rating ± 50%

Product Guide



Interior



Seismic



Fire Rated Option



Vapor Barrier Option



ADA Compliant

- ▶ Accommodates horizontal, vertical and shear seismic movement
- ▶ Centering bar keeps plate positioned over joint during cycling
- ▶ Sloped and tapered center plate provides a smooth transition that is ADA compliant.
- ▶ Ideal system for use with carpet, vinyl, and other floor finishes to create a greatly reduced sightline.
- ▶ 432 features exposed hardware.
- ▶ No-Bump system without side gaps that trap dirt and debris.

Application	System	W		H1		S		B		Movement +/-			
		Joint Width		Frame Height 1		Sightline		Blockout		Horizontal		Vertical	
		US	mm	US	mm	US	mm	US	mm	US	mm	US	mm
Floor to Floor	430-A01-025	1"	25	1 1/2"	38	5 1/4"	133	3 1/4"	83	1 1/2"	13	1/4"	6
	430-A01-050	2"	51	1 1/2"	38	5 1/2"	140	3 1/4"	83	1"	25	1/2"	13
	430-A01-075	3"	76	1 1/2"	38	8 1/2"	216	4"	102	1 1/2"	38	3/4"	19
	430-A01-100	4"	102	1 1/2"	38	8 7/8"	225	4"	102	2"	51	1"	25
	430-A01-150	6"	152	1 1/2"	38	12 1/2"	318	4 1/2"	114	3"	76	1 1/2"	38
	430-A01-200	8"	203	1 1/2"	38	19 3/8"	492	5"	127	4"	102	2"	51
	432-A01-025	1"	25	1 1/2"	38	5 1/4"	133	3 1/4"	83	1 1/2"	13	1/4"	6
	432-A01-050	2"	51	1 1/2"	38	5 1/2"	140	3 1/4"	83	1"	25	1/2"	13
	432-A01-075	3"	76	1 1/2"	38	8 1/2"	216	4"	102	1 1/2"	38	3/4"	19
	432-A01-100	4"	102	1 1/2"	38	8 7/8"	225	4"	102	2"	51	1"	25
Floor to Wall	430/432-A02-025	1"	25	1 1/2"	38	3"	76	3 1/4"	83	1/4"	6	1/4"	6
	430/432-A02-050	2"	51	1 1/2"	38	3 3/4"	95	3 1/4"	83	1/2"	13	1/2"	13
	430/432-A02-075	3"	76	1 1/2"	38	5 3/4"	146	4"	102	3/4"	19	3/4"	19
	430/432-A02-100	4"	102	1 1/2"	38	6 1/2"	168	4"	102	1"	25	1"	25
	430/432-A02-150	6"	152	1 1/2"	38	9"	229	4 1/2"	114	1 1/2"	38	1 1/2"	38
	430/432-A02-200	8"	203	1 1/2"	38	13 1/2"	343	5"	127	2"	51	2"	51

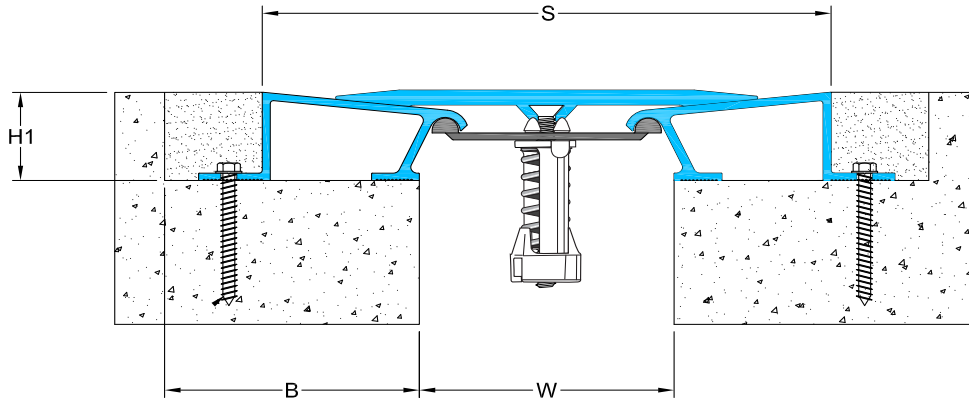
May be available in larger widths, please contact Inpro Corporation for more details.

IPC.842/REV.14

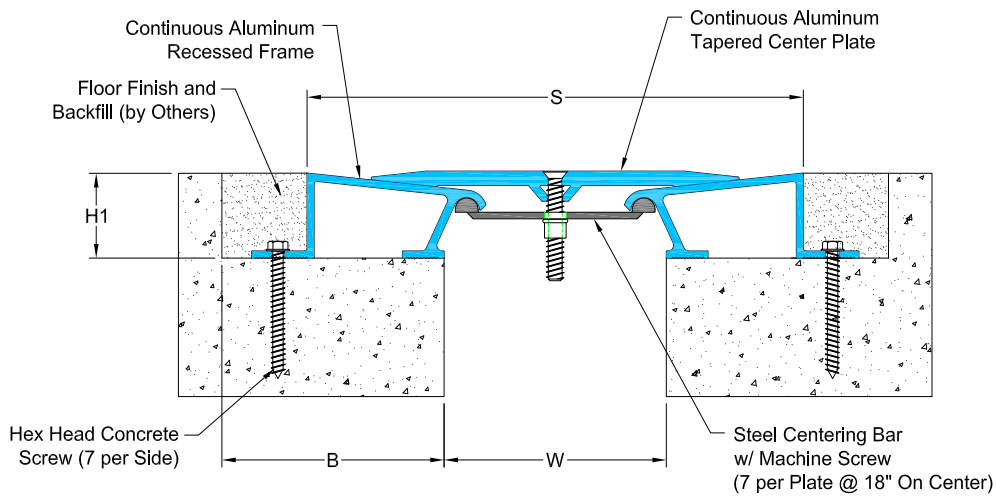
430/432 Series

Center Bar Seismic Floor Systems

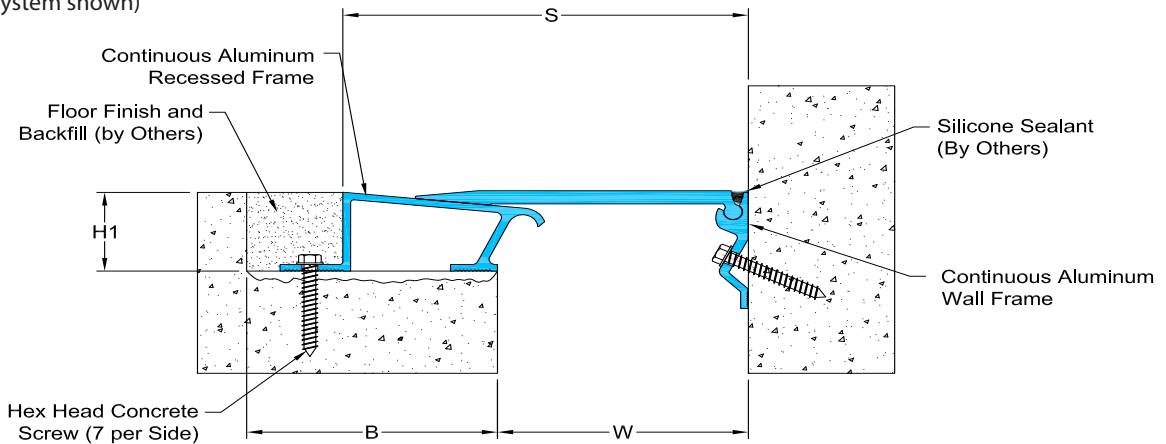
430-A01 Floor/Floor - Hidden Fastener Model
(4" (150mm) system shown)



432-A01 Floor/Floor - Exposed Fastener Model
(4" (100mm) system shown)



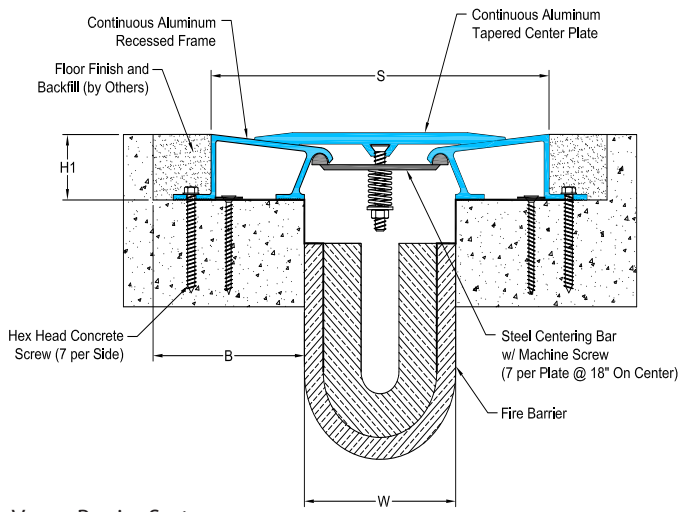
Hidden / Exposed Fastener Model
430/432-A02 Floor/Wall
(4" (150mm) system shown)



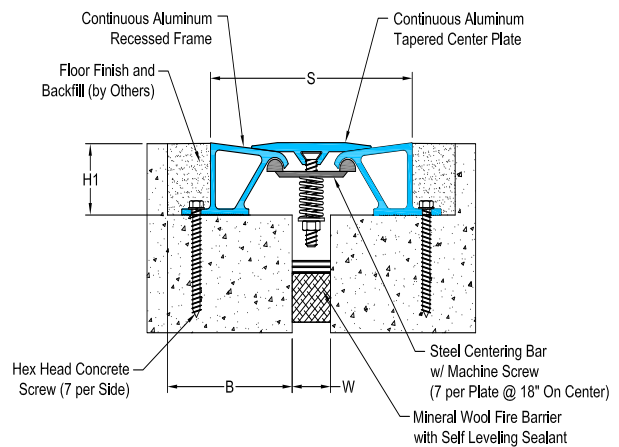
430/432 Series

Options

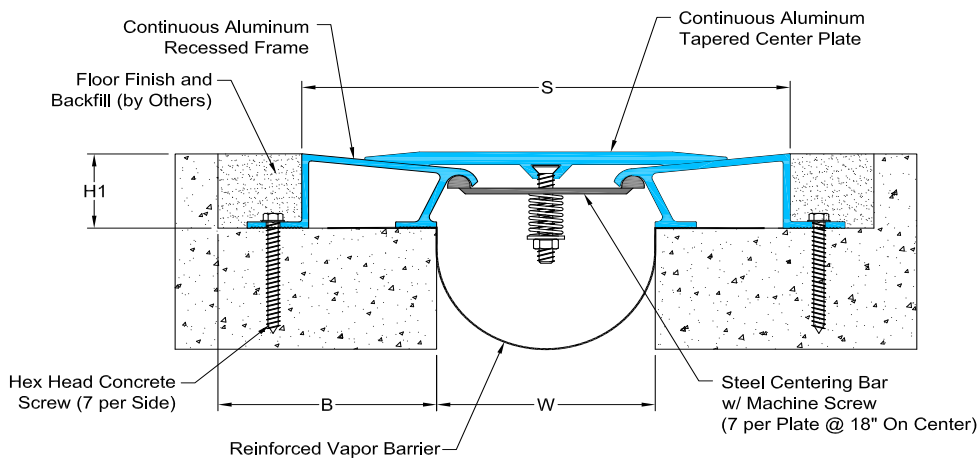
Fire Blanket System
(430-A01-100 system shown)



Mineral Wool And Silicone Sealant Fire Barrier System
(430-A01-25 system shown)



Vapor Barrier System
(432-A01-100 system shown)



Reduced Sightline Option
(430-A01-100 system shown)

