

461/471 Series

A01 - Floor to Floor

A02 - Floor to Wall



Movement Rating \pm 50%

Product Guide



Interior



Seismic



Fire Rated
Option



Vapor Barrier
Option

- ▶ Tapered center plate design maintains a smooth transition
- ▶ Designed for retrofits, additions and renovations
- ▶ Centering bars maintains center plate position and allows for multi-directional seismic movement
- ▶ Hidden cover plate bar hardware for clean look
- ▶ 1/8" (3mm) nosing designed specifically to vinyl & VCT floors
- ▶ 461 Series applies to additions where the blockout occurs on one side only (rendered above)
- ▶ 471 Series applies to retrofit surface mounted conditions only

Application	System	W		H1		H2		S		B		Movement +/-			
		Joint Width		Frame Height 1		Height 2		Sightline		Blockout		Horizontal		Vertical	
		US	mm	US	mm	US	mm	US	mm	US	mm	US	mm	US	mm
Floor to Floor	461-A01-075	3"	76	1/4"	38	1 1/2"	6	9 9/16"	243	4 5/16"	110	1 1/2"	38	3/4"	19
	461-A01-100	4"	102	1/4"	38	1 1/2"	6	10 3/8"	264	4 1/8"	104	2"	51	1"	25
	461-A01-200	8"	203	1/4"	38	1 1/2"	6	20 3/8"	517	7 3/4"	196	4"	102	2"	51
	471-A01-075	3"	76	1/4"	*	*	6	10 1/2"	267	*	*	1 1/2"	38	3/4"	19
Floor to Wall	471-A01-100	4"	102	1/4"	*	*	6	11 13/16"	300	*	*	2"	51	1"	25
	471-A01-200	8"	203	1/4"	*	*	6	21 3/8"	544	*	*	4"	102	2"	51
	471-A02-075	3"	76	1/4"	*	*	6	6 3/4"	172	*	*	3/4"	19	3/4"	19
	471-A02-100	4"	102	1/4"	*	*	6	7 15/16"	201	*	*	1"	25	1"	25
	471-A02-200	8"	203	1/4"	*	*	6	14 11/16"	373	*	*	2"	102	2"	51

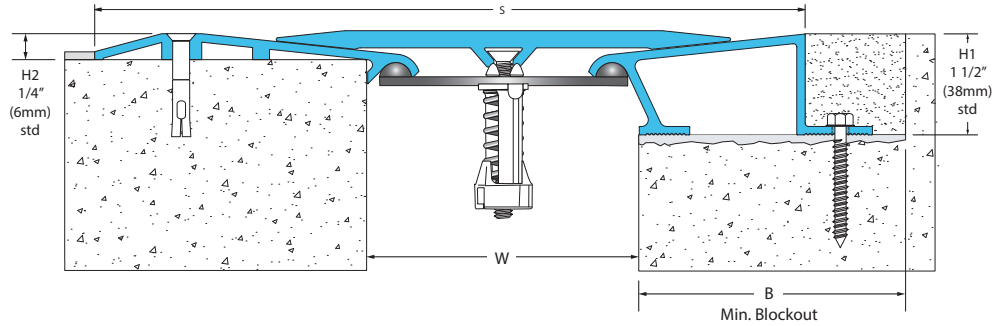
- ▶ Contact your InPro Rep. for loading capabilities

IPC.849/REV.13

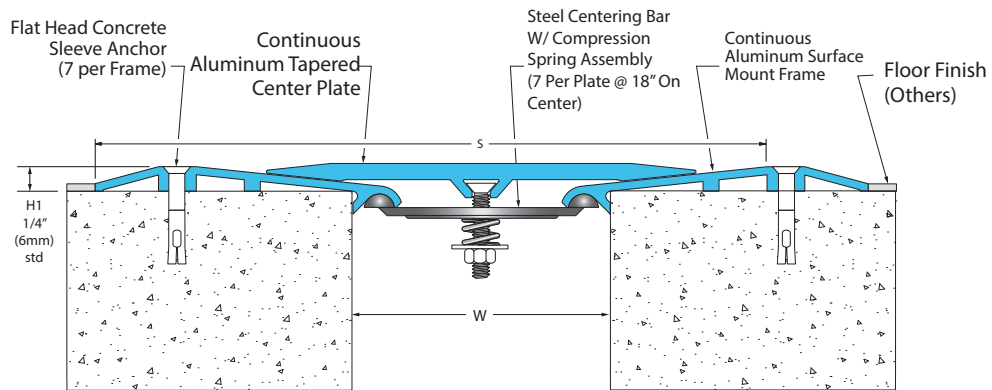
461/471 Series

Center Bar Seismic Floor Systems

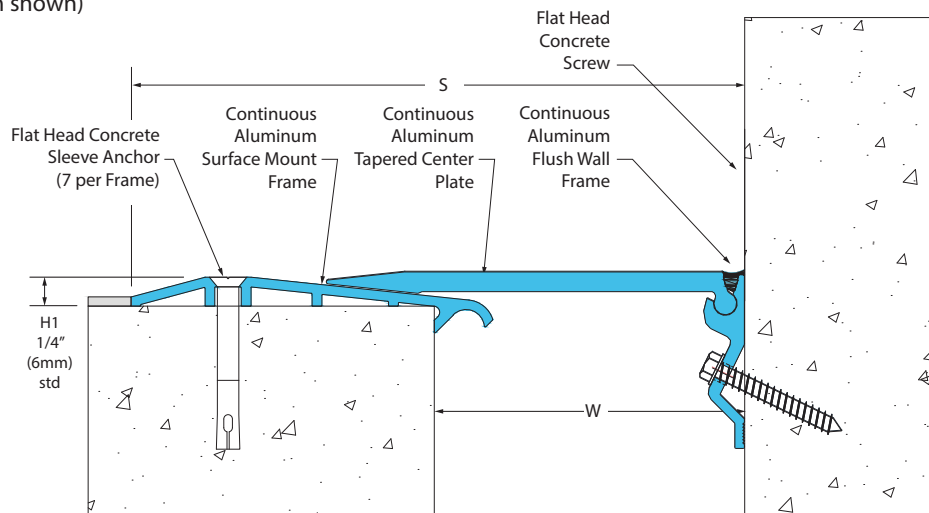
461-A01 Floor/Floor - New to Existing
(4" (100mm) system shown)



471-A01 Floor/Floor - New to New
(4" (100mm) system shown)



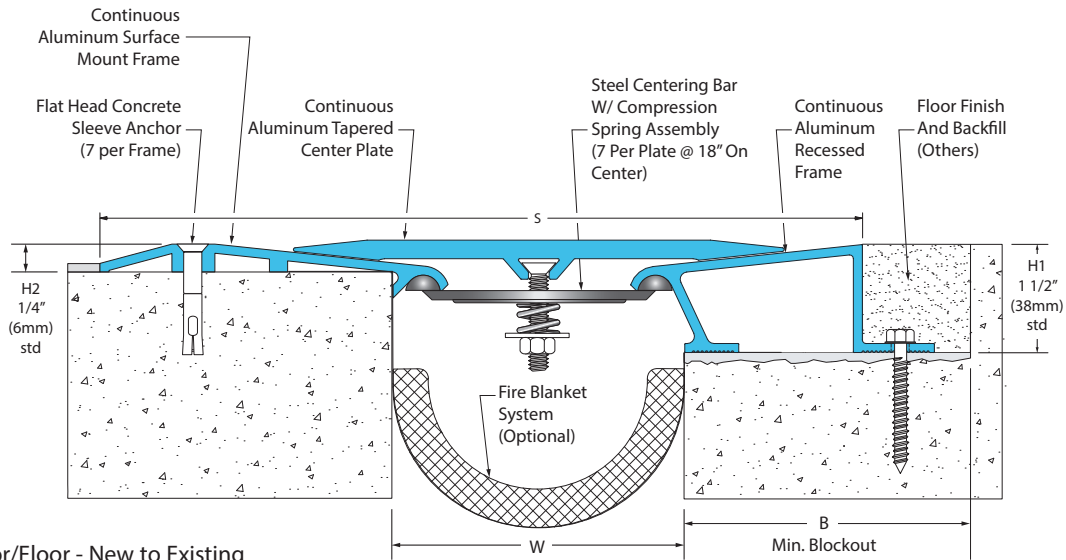
471-A02 Floor/Wall - New to Existing
(4" (100mm) system shown)



461/471 Series

Options

461-A01 Floor/Floor - New to Existing
(4" (100mm) system shown)



461-A01 Floor/Floor - New to Existing
(4" (100mm) system shown)

