

### 471-A02-075

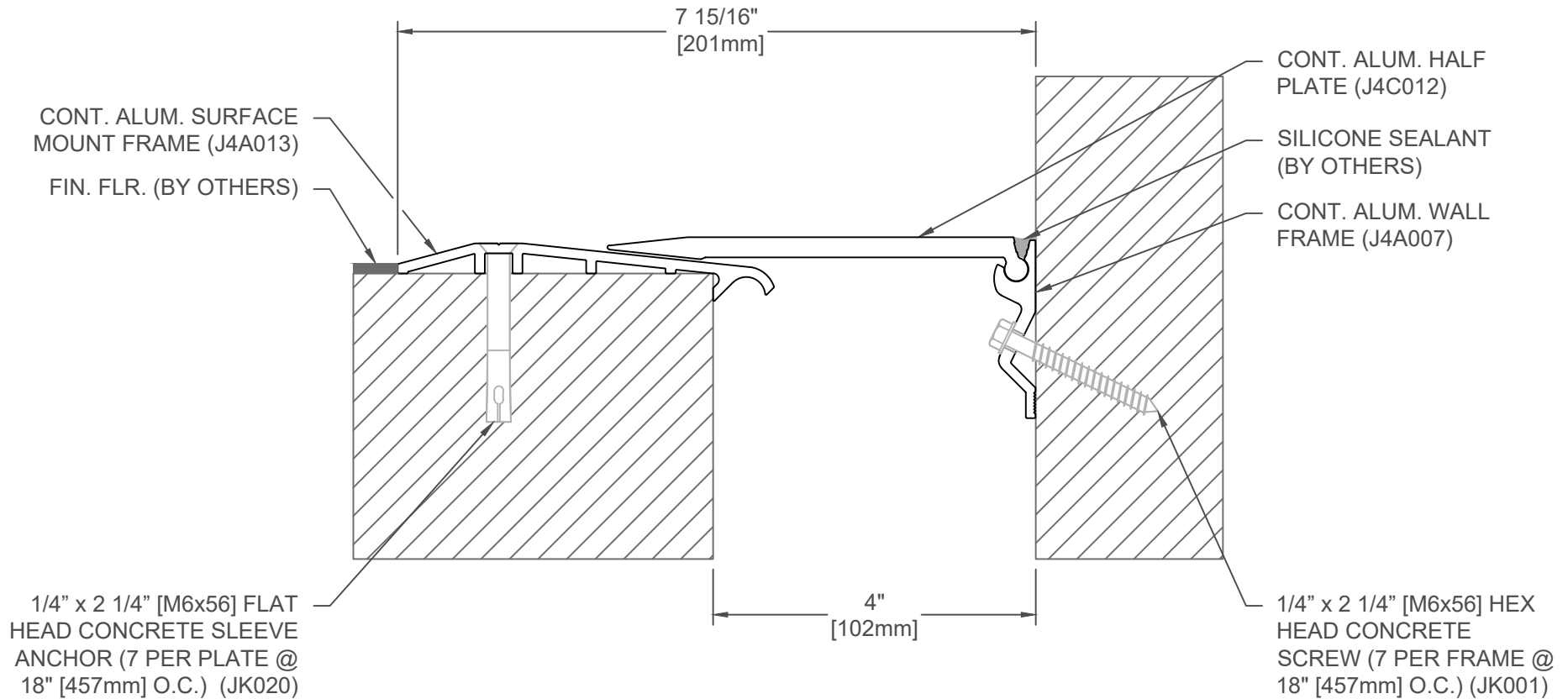
| JOINT WIDTH |    | MOVEMENT ± |    |          |    |
|-------------|----|------------|----|----------|----|
|             |    | HORIZONTAL |    | VERTICAL |    |
| US          | mm | US         | mm | US       | mm |
| 3"          | 76 | 3/4"       | 19 | 3/4"     | 19 |

|              |
|--------------|
| FINISH: MILL |
| PROJECT:     |
| CUSTOMER:    |
| LOCATION:    |

**APPLICATION:**  
 SURFACE MOUNT CENTERING BAR  
 SYSTEM  
 FLOOR/WALL

|        |              |
|--------|--------------|
| DATE:  | 9-20-05      |
| SCALE: | 1:2          |
| DOC:   | CADJM.031/R4 |

  
 For More Information Visit: [Inprocorp.com](http://Inprocorp.com)



## 471-A02-100

| JOINT WIDTH |     | MOVEMENT ± |    |          |    |
|-------------|-----|------------|----|----------|----|
|             |     | HORIZONTAL |    | VERTICAL |    |
| US          | mm  | US         | mm | US       | mm |
| 4"          | 102 | 1"         | 25 | 1"       | 25 |

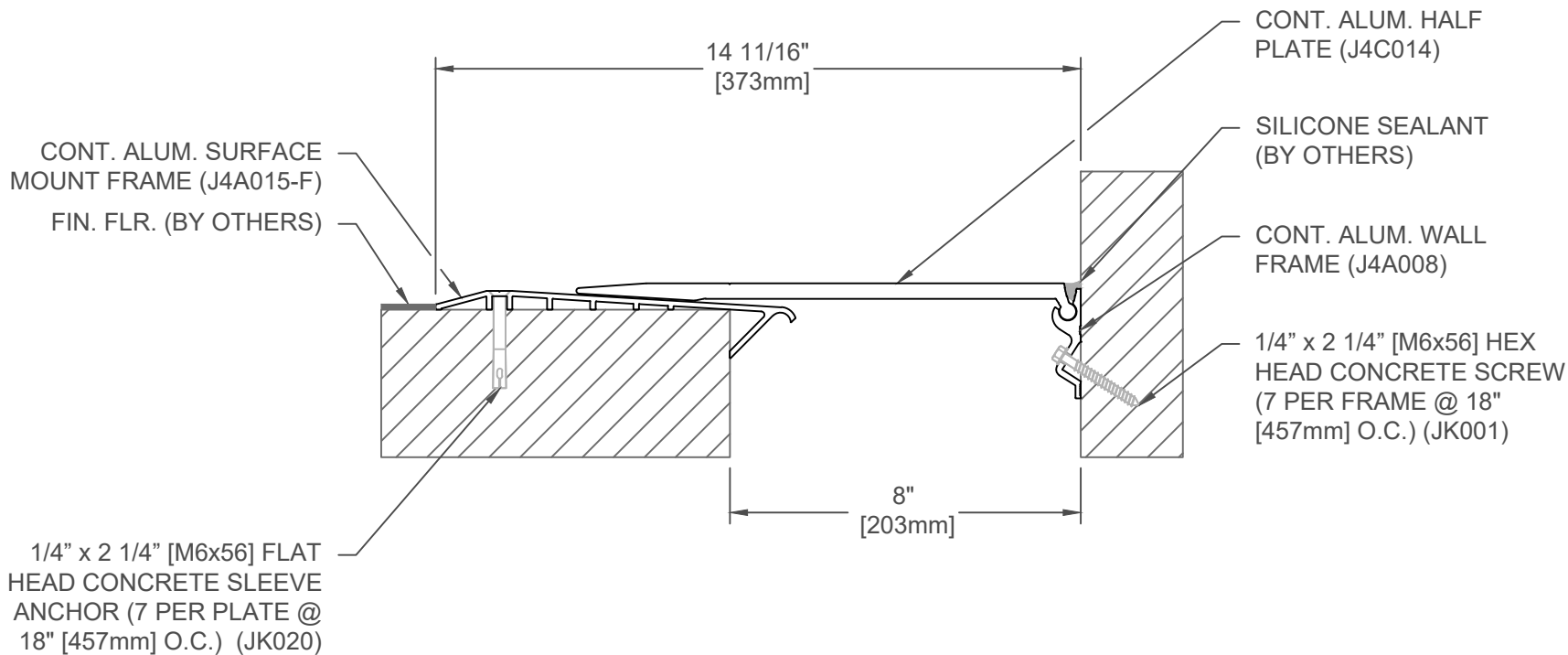
|              |
|--------------|
| FINISH: MILL |
| PROJECT:     |
| CUSTOMER:    |
| LOCATION:    |

APPLICATION:  
SURFACE MOUNT CENTERING BAR  
SYSTEM  
FLOOR/WALL

|        |              |
|--------|--------------|
| DATE:  | 9-20-05      |
| SCALE: | 1:2          |
| DOC:   | CADJM.031/R4 |

**inpro.**

For More Information Visit: [Inprocorp.com](http://Inprocorp.com)



## 471-A02-200

| JOINT WIDTH |     | MOVEMENT ± |     |          |    |
|-------------|-----|------------|-----|----------|----|
|             |     | HORIZONTAL |     | VERTICAL |    |
| US          | mm  | US         | mm  | US       | mm |
| 8"          | 203 | 2"         | 102 | 2"       | 51 |

FINISH: MILL

PROJECT:

CUSTOMER:

LOCATION:

APPLICATION:  
SURFACE MOUNT CENTERING BAR  
SYSTEM  
FLOOR/WALL

DATE: 9-20-05

SCALE: 1:4

DOC: CADJM.031/R4

**inpro.**

For More Information Visit: [Inprocorp.com](http://Inprocorp.com)