

Installation Instructions

Joint System: 471/472-A02

Note: Verify that the structural gap is in conformance with submittal data before beginning installation. If this is a Fire Rated Assembly, the fire barrier must be installed before the Architectural Joint System. Refer to the fire barrier instructions for specific system installation.

Fig. 1 (471-A02 Floor to Wall shown)

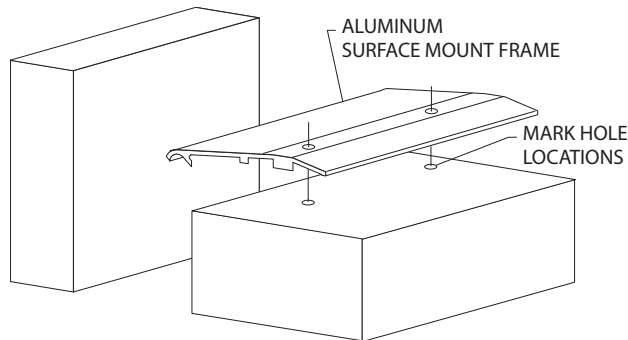


Fig. 1a

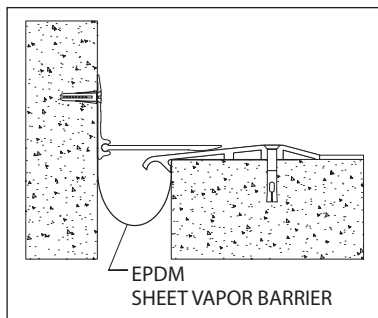
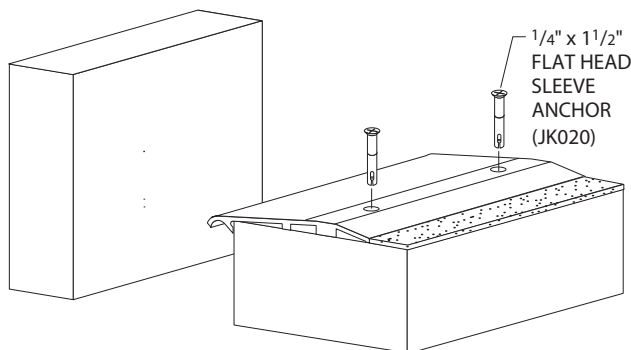


Fig. 2



1. Install the architectural joint system on a level surface. This may require adding leveling compound on top of the substrate to provide a smooth mounting surface.

Figure 1

2. Cut the aluminum components to the desired length.
3. Place the floor frame against the side of the structural gap with the radius profile of the frame facing the structural gap.
4. Mark the pre-drilled hole locations on the substrate and remove frame.
5. Drill holes in the floor substrate using a 1/4" (6mm) concrete drill bit to 1 1/2" (38mm) depth.

5a. Optional EPDM Vapor Barrier: Lay continuous bead of butyl rubber caulk on the substrate and wall. Starting at one end, place vapor barrier evenly on the substrate allowing the excess material to drape into the structural gap. If necessary, vapor barrier may be fastened to substrate with masonry nails. Fold ends up. (see Figure 1a).

Figure 2

6. Return the floor frame over the drilled hole locations and secure with JK020 1/4" x 1 1/2" flat head concrete sleeve anchors.

IPC.847/REV.2

Installation Hotline • 866.EZINPRO
Inprocorp.com • 800.222.5556 • 262.679.9010
World Headquarters S80 W18766 Apollo Drive, Muskego, WI 53150 USA

JOINTMASTER™
EXPANSION JOINT SYSTEMS

Installation Instructions

Joint System: 471/472-A02

Fig. 3

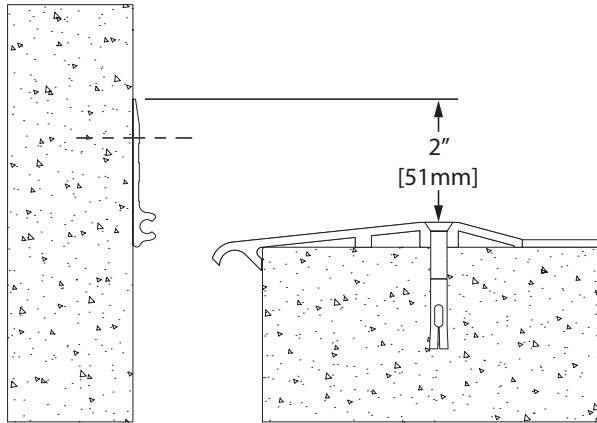


Figure 3

7. Place the wall frame against the wall so that the top of the frame is 2" (51mm) above the highest point of the floor frame. Mark the pre-drilled hole locations on the wall and remove the frame.

Figure 4

8. Drill all marked holes on the wall using a 1/4" (6mm) concrete drill bit 1 1/8" (30 mm) deep. Insert plastic plugs.
9. Slide the ball end of the aluminum half glide plate into the socket channel of the wall frame.
10. Return the frame assembly into position over the drilled hole locations and secure with JK050 #10 x 1" flat head screws for each plastic plug. The aluminum half plate should now rest level on the floor frame.

Fig. 4

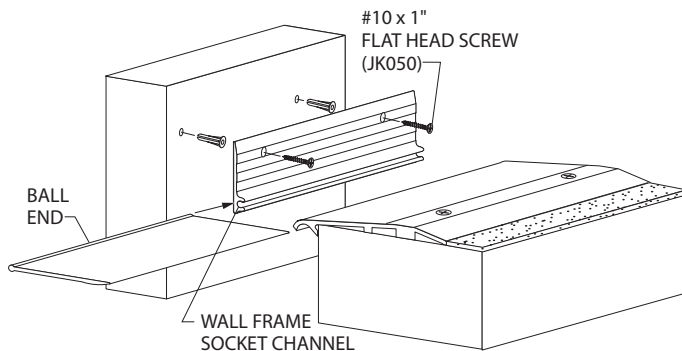
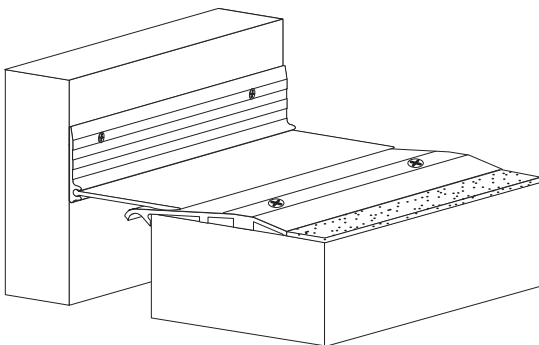


Figure 5

11. Install the floor finish level to the edge of the floor frame. Clean the exposed surfaces with a non-solvent cleaner, such as 409, as required.

Fig. 5 (471-A02 completed installation)



Installation Hotline • 866.EZINPRO

Inprocorp.com • 800.222.5556 • 262.679.9010

World Headquarters S80 W18766 Apollo Drive, Muskego, WI 53150 USA

JOINTMASTER™
EXPANSION JOINT SYSTEMS