

3/8"-16 x 1" HEX HEAD CAP  
SCREW (7 PER FRAME @  
18" [457mm] O.C.) (JK159)

PAN INFILL (BY OTHERS)

CONT. ALUM. POP-UP  
CENTER PAN (J5C301)

SANTOPRENE SEAL  
(SEE CHART FOR P/N)

HIGH STRENGTH EPOXY  
GROUT INFILL (BY OTHERS)

STEEL CENTERING BAR  
BUSHING (7 PER PLATE @  
18" [457mm] O.C.) (J5J301)

CONT. ALUM. POP-UP  
FRAME (J5A300)

2 1/8"  
[54mm]

11 9/16"  
[293mm]

9"  
[229mm]

9/16"  
[14mm]

3/16" x 2 1/4" [M4.5x56] FLAT HEAD  
CONCRETE SCREW (7 PER  
FRAME @ 18" [457mm] O.C.)  
(JK002)

SS CENTERING BAR (7 PER PLATE  
@ 18" [457mm] O.C.) (J5J001-B)

STEEL CENTERING BAR POST  
(7 PER PLATE @ 18" [457mm]  
O.C.) (J5J300)

CENTERING BAR  
FRAME (J5A303)

1"  
[25mm]

2"  
[51mm]

5"  
[126mm]  
MIN. BLOCKOUT  
PER SIDE

SPECIFY SEAL COLOR:	
Black (J1D501)	
Beige (J1D502)	
Gray (J1D503)	
Off White (J1D504)	
Griege (J1D506)	

## 501-A01-050

JOINT WIDTH		MOVEMENT ±			
		HORIZONTAL		VERTICAL	
US	mm	US	mm	US	mm
2"	51	1"	25	2 1/8"	54

NOTE:  
TO DETERMINE BLOCKOUT DEPTH,  
DEDUCT THICKNESS OF FLOOR  
FINISH FROM FRAME HEIGHT.

FINISH: MILL
PROJECT:
CUSTOMER:
LOCATION:

APPLICATION-  
INTERIOR FLOOR/FLOOR  
CONDITION

DATE:	8/22/17
SCALE:	1:4
DOC:	CADJM.131/R6

**inpro.**

For More Information Visit: [Inprocorp.com](http://Inprocorp.com)

3/8"-16 x 1" HEX HEAD CAP  
SCREW (7 PER FRAME @ 18"  
[457mm] O.C.) (JK159)

PAN INFILL (BY OTHERS)

CONT. ALUM. POP-UP  
CENTER PAN (J5C301)

SANTOPRENE SEAL  
(SEE CHART FOR P/N)

HIGH STRENGTH EPOXY  
GROUT INFILL (BY OTHERS)

11 9/16"  
[293mm]

9"  
[229mm]

STEEL CENTERING BAR  
BUSHING (7 PER PLATE  
@ 18" [457mm] O.C.)  
(J5J301)

CONT. ALUM. POP-UP  
FRAME (J5A300)

2 1/8"  
[54mm]

3/16" x 2 1/4" [M4.5x56] FLAT HEAD  
CONCRETE SCREW (7 PER  
FRAME @ 18" [457mm] O.C.)  
(JK002)

SS CENTERING BAR (7 PER PLATE  
@ 18" [457mm] O.C.) (J5J001-B)

4"  
[101mm]

5"  
[126mm]  
MIN. BLOCKOUT  
PER SIDE

CENTERING BAR FRAME  
(J5A303)

STEEL CENTERING BAR  
POST (7 PER PLATE @  
18" [457mm] O.C.)  
(J5J300)

SPECIFY SEAL COLOR:	
Black (J1D501)	
Beige (J1D502)	
Gray (J1D503)	
Off White (J1D504)	
Griege (J1D506)	

## 501-A01-100

JOINT WIDTH		MOVEMENT ±			
		HORIZONTAL		VERTICAL	
US	mm	US	mm	US	mm
4"	101	2"	50	2 1/8"	54

NOTE:  
TO DETERMINE BLOCKOUT DEPTH,  
DEDUCT THICKNESS OF FLOOR  
FINISH FROM FRAME HEIGHT.

FINISH: MILL
PROJECT:
CUSTOMER:
LOCATION:

APPLICATION-  
INTERIOR FLOOR/FLOOR  
CONDITION

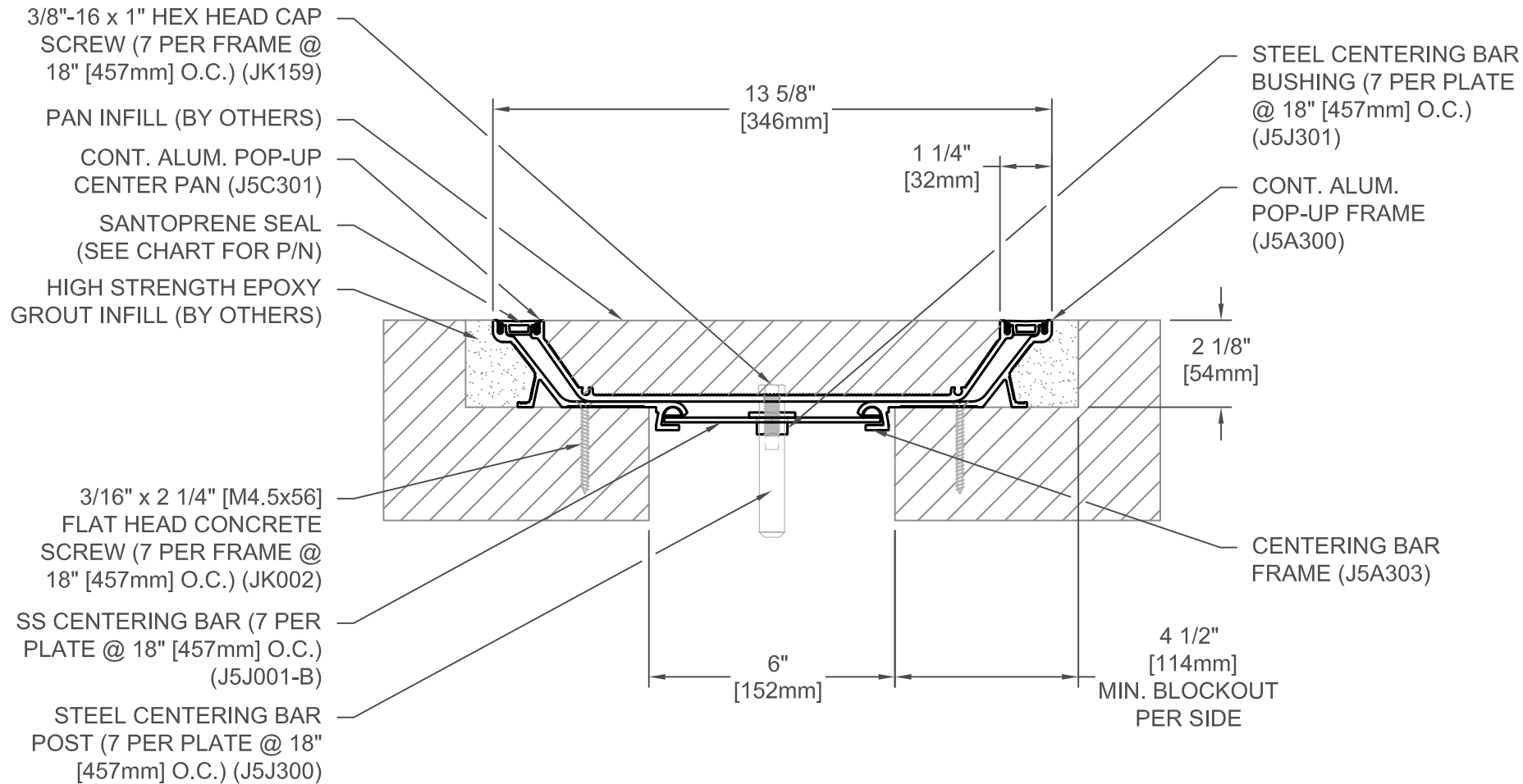
DATE: 8/22/17

SCALE: 1:4

DOC: CADJM.131/R6

**inpro.**

For More Information Visit: [Inprocorp.com](http://Inprocorp.com)



SPECIFY SEAL COLOR:	
Black (J1D501)	
Beige (J1D502)	
Gray (J1D503)	
Off White (J1D504)	
Griege (J1D506)	

## 501-A01-150

JOINT WIDTH		MOVEMENT ±			
		HORIZONTAL		VERTICAL	
US	mm	US	mm	US	mm
6"	152	3"	75	2 1/8"	54

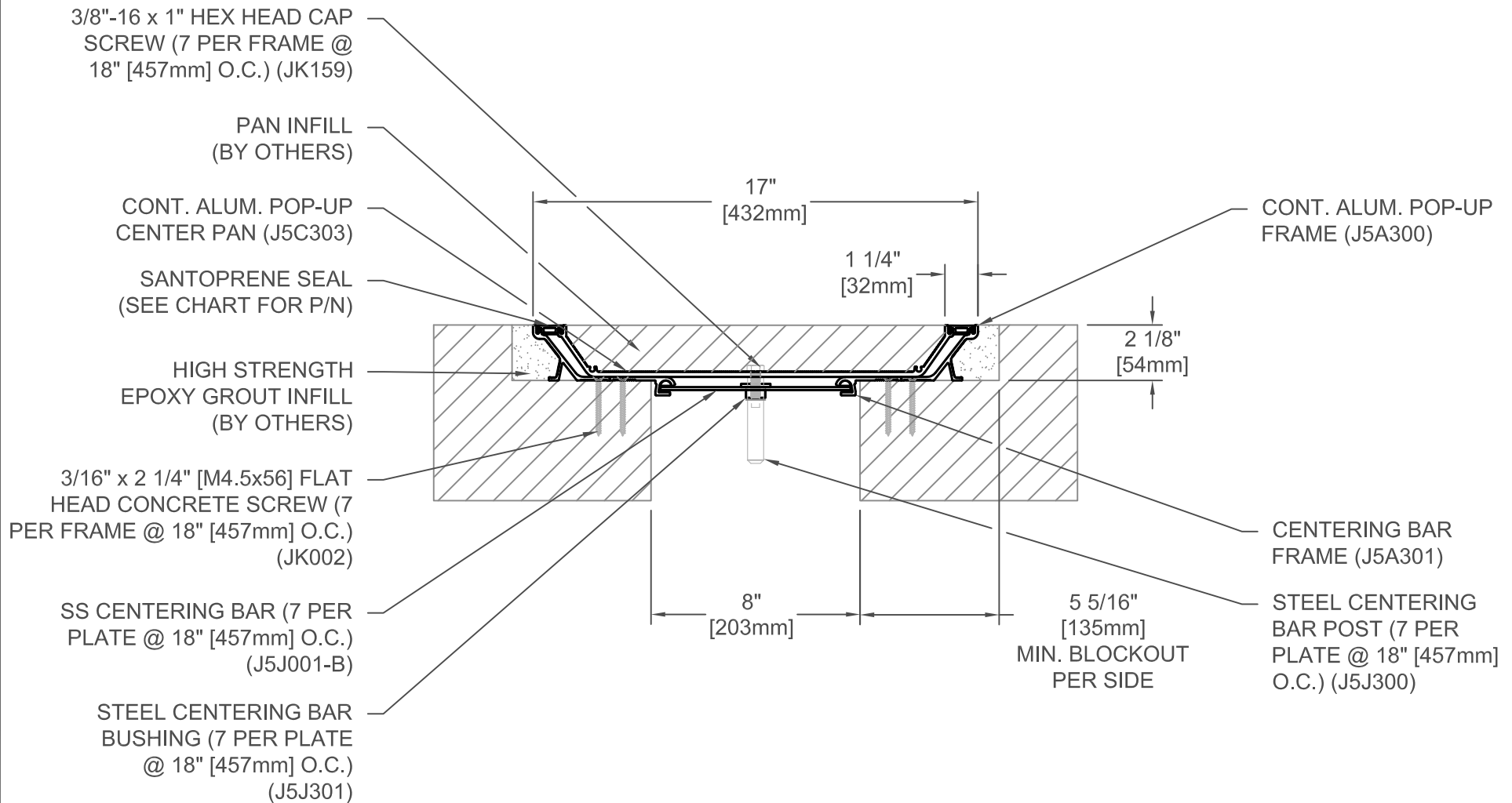
NOTE:  
TO DETERMINE BLOCKOUT DEPTH,  
DEDUCT THICKNESS OF FLOOR  
FINISH FROM FRAME HEIGHT.

FINISH: MILL
PROJECT:
CUSTOMER:
LOCATION:

APPLICATION-  
INTERIOR FLOOR/FLOOR  
CONDITION

DATE:	8/22/17
SCALE:	1:4
DOC:	CADJM.131/R6





### 501-A01-200

SPECIFY SEAL COLOR:	
Black (J1D501)	
Beige (J1D502)	
Gray (J1D503)	
Off White (J1D504)	
Griege (J1D506)	

JOINT WIDTH		MOVEMENT ±			
		HORIZONTAL		VERTICAL	
US	mm	US	mm	US	mm
8"	203	4"	100	2 1/8"	54

NOTE:  
TO DETERMINE BLOCKOUT DEPTH,  
DEDUCT THICKNESS OF FLOOR  
FINISH FROM FRAME HEIGHT.

FINISH: MILL
PROJECT:
CUSTOMER:
LOCATION:

APPLICATION-  
INTERIOR FLOOR/FLOOR,  
CONDITION

DATE:	8/22/17
SCALE:	1:6
DOC:	CADJM.131/R6



For More Information Visit: [Inprocorp.com](http://Inprocorp.com)

3/8"-16 x 1" HEX HEAD CAP  
SCREW (7 PER FRAME @ 18"  
[457mm] O.C.) (JK159)

PAN INFILL  
(BY OTHERS)

CONT. ALUM. POP-UP  
CENTER PAN (J5C305-AFW)

SANTOPRENE SEAL  
(SEE CHART FOR P/N)

HIGH STRENGTH EPOXY  
GROUT INFILL (BY OTHERS)

3/16" x 2 1/4" [M4.5x56] FLAT  
HEAD CONCRETE SCREW (7  
PER FRAME @ 18" [457mm]  
O.C.) (JK002)

SS CENTERING BAR (7 PER  
PLATE @ 18" [457mm] O.C.)  
(J5J002-B)

STEEL CENTERING BAR  
BUSHING (7 PER PLATE  
@ 18" [457mm] O.C.)  
(J5J301)

21 11/16"  
[552mm]

1 5/16"  
[33mm]

CONT. ALUM.  
POP-UP FRAME  
(J5A300)

2 1/8"  
[54mm]

CENTERING BAR  
FRAME (J5A301)

10"  
[254mm]

6 13/16"  
[173mm]  
MIN. BLOCKOUT  
PER SIDE

STEEL CENTERING BAR  
POST (7 PER PLATE @  
18" [457mm] O.C.)  
(J5J300)

## 501-A01-250

SPECIFY SEAL COLOR:	
Black (J1D501)	
Beige (J1D502)	
Gray (J1D503)	
Off White (J1D504)	
Griege (J1D506)	

JOINT WIDTH		MOVEMENT ±			
		HORIZONTAL		VERTICAL	
US	mm	US	mm	US	mm
10"	254	5"	125	2 1/8"	54

NOTE:  
TO DETERMINE BLOCKOUT DEPTH,  
DEDUCT THICKNESS OF FLOOR  
FINISH FROM FRAME HEIGHT.

FINISH: MILL
PROJECT:
CUSTOMER:
LOCATION:

APPLICATION-  
INTERIOR FLOOR/FLOOR,  
CONDITION

DATE:	8/22/17
SCALE:	1:6
DOC:	CADJM.131/R6

**inpro.**

For More Information Visit: [Inprocorp.com](http://Inprocorp.com)

3/8"-16 x 1" HEX HEAD CAP  
SCREW (7 PER FRAME @ 18"  
[457mm] O.C.) (JK159)

PAN INFILL  
(BY OTHERS)

CONT. ALUM. POP-UP  
CENTER PAN  
(J5C306-AFW)

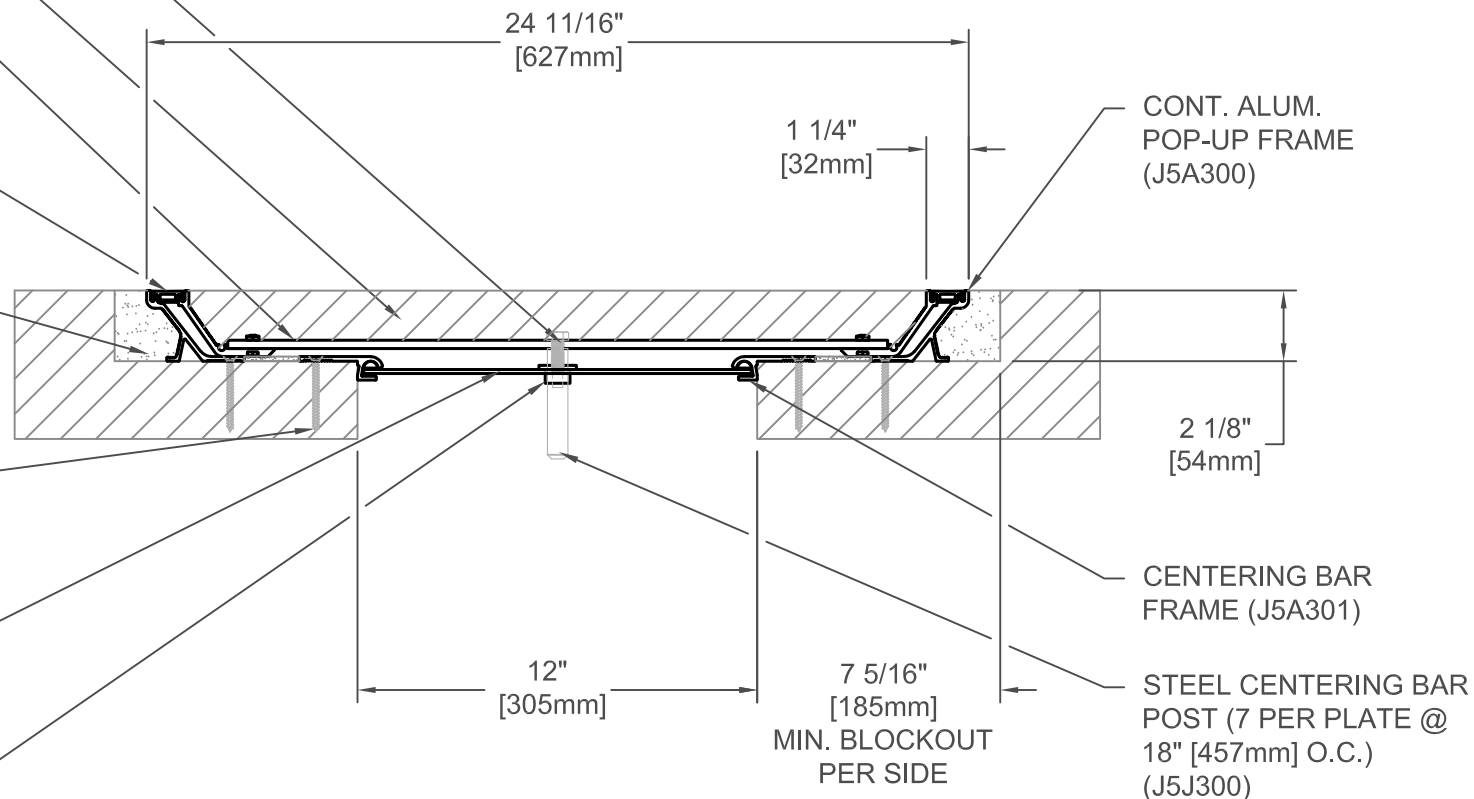
SANTOPRENE SEAL  
(SEE CHART FOR P/N)

HIGH STRENGTH EPOXY  
GROUT INFILL (BY OTHERS)

3/16" x 2 1/4" [M4.5x56] FLAT  
HEAD CONCRETE SCREW (7  
PER FRAME @ 18" [457mm]  
O.C.) (JK002)

SS CENTERING BAR (7 PER  
PLATE @ 18" [457mm] O.C.)  
(J5J002-B)

STEEL CENTERING BAR  
BUSHING (7 PER PLATE @  
18" [457mm] O.C.) (J5J301)



## 501-A01-300

SPECIFY SEAL COLOR:	
Black (J1D501)	
Beige (J1D502)	
Gray (J1D503)	
Off White (J1D504)	
Griege (J1D506)	

JOINT WIDTH		MOVEMENT ±			
		HORIZONTAL		VERTICAL	
US	mm	US	mm	US	mm
12"	305	6"	150	2 1/8"	54

NOTE:  
TO DETERMINE BLOCKOUT DEPTH,  
DEDUCT THICKNESS OF FLOOR  
FINISH FROM FRAME HEIGHT.

FINISH: MILL
PROJECT:
CUSTOMER:
LOCATION:

APPLICATION-  
INTERIOR FLOOR/FLOOR,  
CONDITION

DATE:	8/22/17
SCALE:	1:6
DOC:	CADJM.131/R6

**inpro.**

For More Information Visit: [Inprocorp.com](http://Inprocorp.com)