

| SPECIFY SEAL COLOR: | |
|---------------------|--|
| Black (J1D501) | |
| Beige (J1D502) | |
| Gray (J1D503) | |
| Off White (J1D504) | |
| Griege (J1D506) | |

501-A02-050

| JOINT WIDTH | | MOVEMENT ± | | | |
|-------------|----|------------|----|----------|----|
| | | HORIZONTAL | | VERTICAL | |
| US | mm | US | mm | US | mm |
| 2" | 51 | 1/2" | 13 | 2 1/8" | 54 |

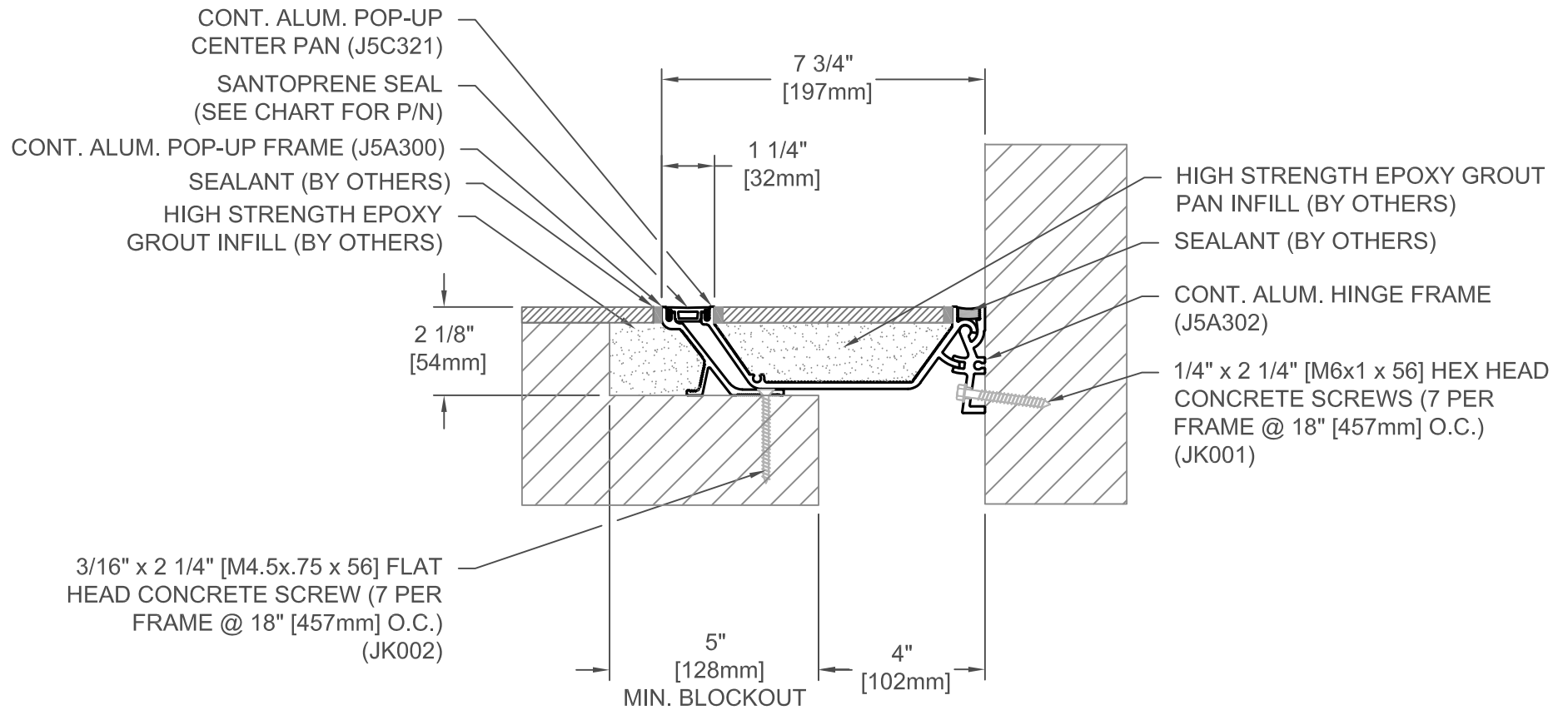
| |
|--------------|
| FINISH: MILL |
| PROJECT: |
| CUSTOMER: |
| LOCATION: |

APPLICATION-
RECESSED FLOOR/WALL CONDITION

| | |
|--------|--------------|
| DATE: | 2/1/18 |
| SCALE: | 1:4 |
| DOC: | CADJM.132/R7 |

inpro.

For More Information Visit: Inprocorp.com



| SPECIFY SEAL COLOR: | |
|---------------------|--|
| Black (J1D501) | |
| Beige (J1D502) | |
| Gray (J1D503) | |
| Off White (J1D504) | |
| Grieger (J1D506) | |

501-A02-100

| JOINT WIDTH | | MOVEMENT ± | | | |
|-------------|-----|------------|----|----------|----|
| | | HORIZONTAL | | VERTICAL | |
| US | mm | US | mm | US | mm |
| 4" | 102 | 1" | 25 | 2 1/8" | 54 |

FINISH: MILL

PROJECT:

CUSTOMER:

LOCATION:

APPLICATION-
RECESSED FLOOR/WALL CONDITION

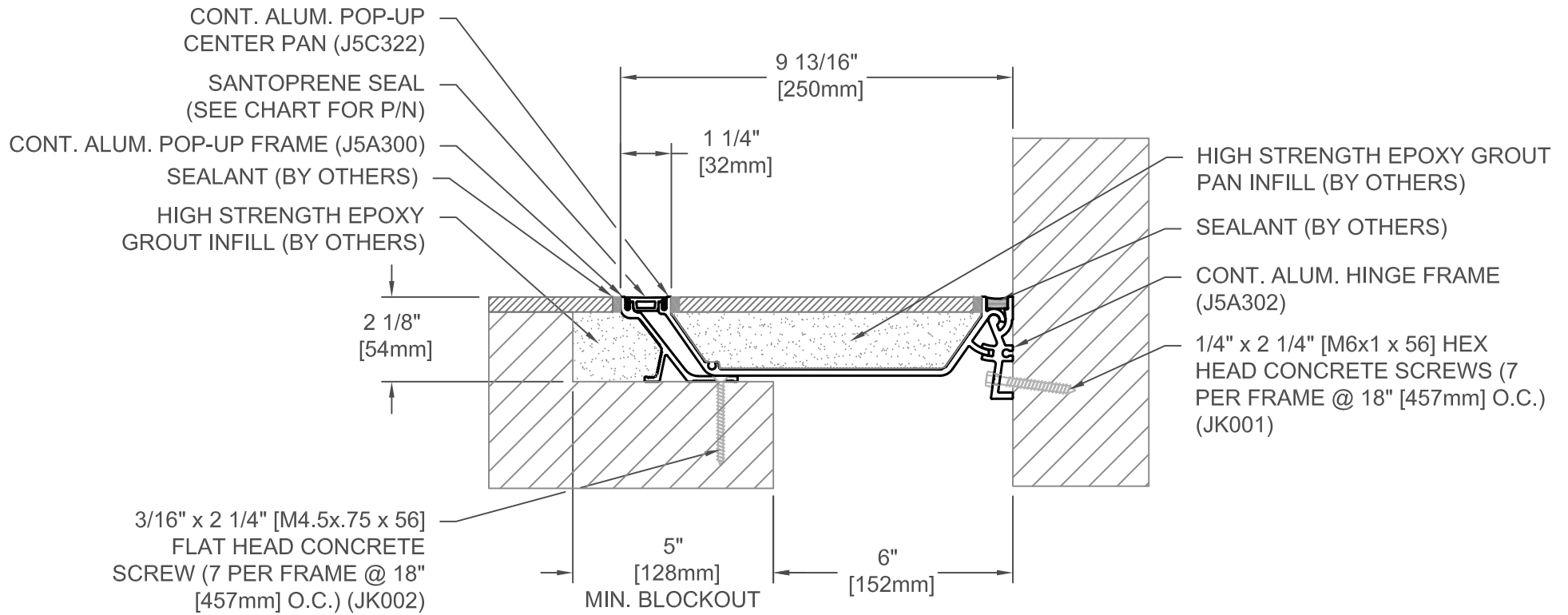
DATE: 8/22/17

SCALE: 1:4

DOC: CADJM.132/R7

inpro.

For More Information Visit: Inprocorp.com



| SPECIFY SEAL COLOR: | |
|---------------------|--|
| Black (J1D501) | |
| Beige (J1D502) | |
| Gray (J1D503) | |
| Off White (J1D504) | |
| Griege (J1D506) | |

501-A02-150

| JOINT WIDTH | | MOVEMENT ± | | | |
|-------------|-----|------------|----|----------|----|
| | | HORIZONTAL | | VERTICAL | |
| US | mm | US | mm | US | mm |
| 6" | 152 | 1 1/2" | 38 | 2 1/8" | 54 |

FINISH: MILL

PROJECT:

CUSTOMER:

LOCATION:

APPLICATION-
RECESSED FLOOR/WALL CONDITION

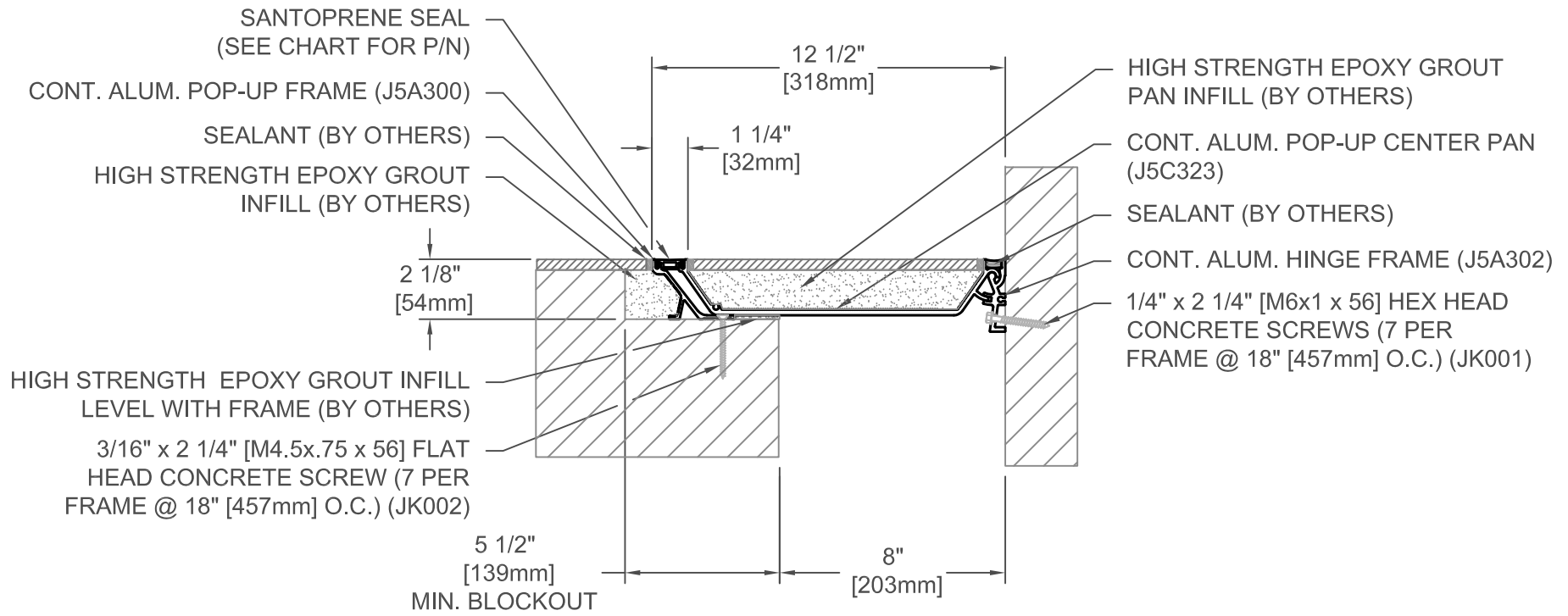
DATE: 8/22/17

SCALE: 1:4

DOC: CADJM.132/R7

inpro.

For More Information Visit: Inprocorp.com



| SPECIFY SEAL COLOR: | |
|---------------------|--|
| Black (J1D501) | |
| Beige (J1D502) | |
| Gray (J1D503) | |
| Off White (J1D504) | |
| Griege (J1D506) | |

501-A02-200

| JOINT WIDTH | | MOVEMENT ± | | | |
|-------------|-----|------------|----|----------|----|
| | | HORIZONTAL | | VERTICAL | |
| US | mm | US | mm | US | mm |
| 8" | 203 | 2" | 50 | 2 1/8" | 54 |

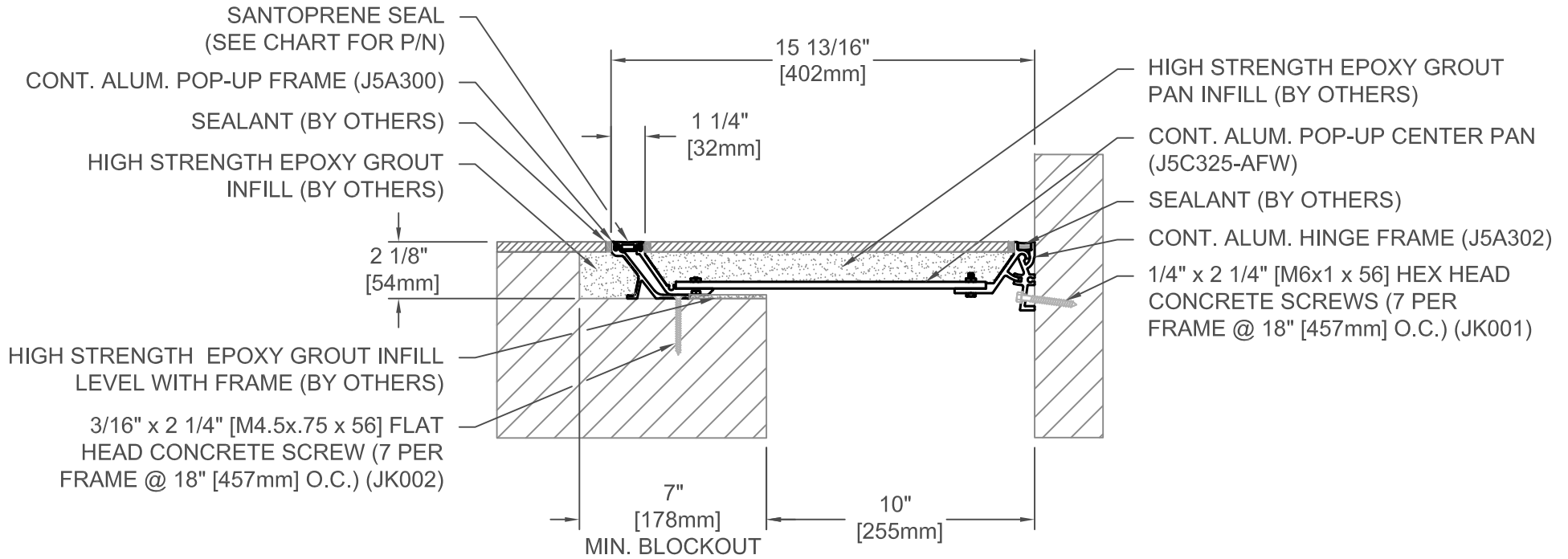
| |
|--------------|
| FINISH: MILL |
| PROJECT: |
| CUSTOMER: |
| LOCATION: |

APPLICATION-
RECESSED FLOOR/WALL CONDITION

DATE: 8/22/17
SCALE: 1:6
DOC: CADJM.132/R7

inpro.

For More Information Visit: Inprocorp.com



| SPECIFY SEAL COLOR: | |
|---------------------|--|
| Black (J1D501) | |
| Beige (J1D502) | |
| Gray (J1D503) | |
| Off White (J1D504) | |
| Griege (J1D506) | |

501-A02-250

| JOINT WIDTH | | MOVEMENT ± | | | |
|-------------|-----|------------|----|----------|----|
| | | HORIZONTAL | | VERTICAL | |
| US | mm | US | mm | US | mm |
| 10" | 255 | 2 1/2" | 63 | 2 1/8" | 54 |

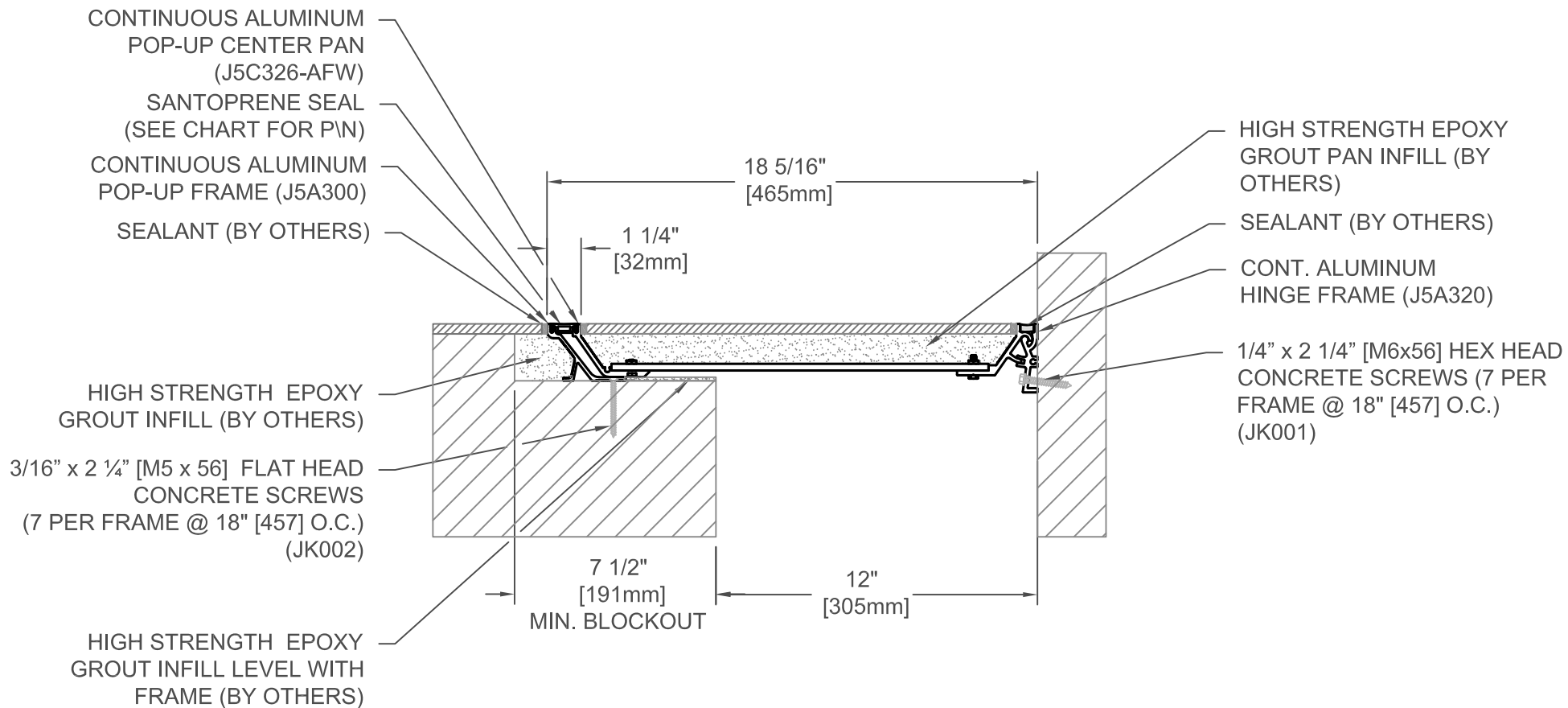
| |
|--------------|
| FINISH: MILL |
| PROJECT: |
| CUSTOMER: |
| LOCATION: |

APPLICATION-
RECESSED FLOOR/WALL CONDITION

| | |
|--------|--------------|
| DATE: | 8/22/17 |
| SCALE: | 1:6 |
| DOC: | CADJM.132/R7 |

inpro.

For More Information Visit: Inprocorp.com



| SPECIFY SEAL COLOR: | |
|---------------------|--|
| Black (J1D501) | |
| Beige (J1D502) | |
| Gray (J1D503) | |
| Off White (J1D504) | |
| Griege (J1D506) | |

501-A02-300

| JOINT WIDTH | | MOVEMENT ± | | | |
|-------------|-----|------------|----|----------|----|
| | | HORIZONTAL | | VERTICAL | |
| US | mm | US | mm | US | mm |
| 12" | 300 | 3" | 75 | 2 1/8" | 54 |

| |
|--------------|
| FINISH: MILL |
| PROJECT: |
| CUSTOMER: |
| LOCATION: |

APPLICATION-
RECESSED FLOOR/WALL
CONDITION

| | |
|--------|---------------|
| DATE: | 8/22/17 |
| SCALE: | 1:4 |
| DOC# | ADJM.132/Rev7 |

inpro.

For More Information Visit: Inprocorp.com