

501R-A01-100

JOINT WIDTH		MOVEMENT ±			
		HORIZONTAL		VERTICAL	
US	mm	US	mm	US	mm
4"	101	2"	50	1 1/4"	32

NOTE:
 TO DETERMINE BLOCKOUT DEPTH,
 DEDUCT THICKNESS OF FLOOR
 FINISH FROM FRAME HEIGHT.

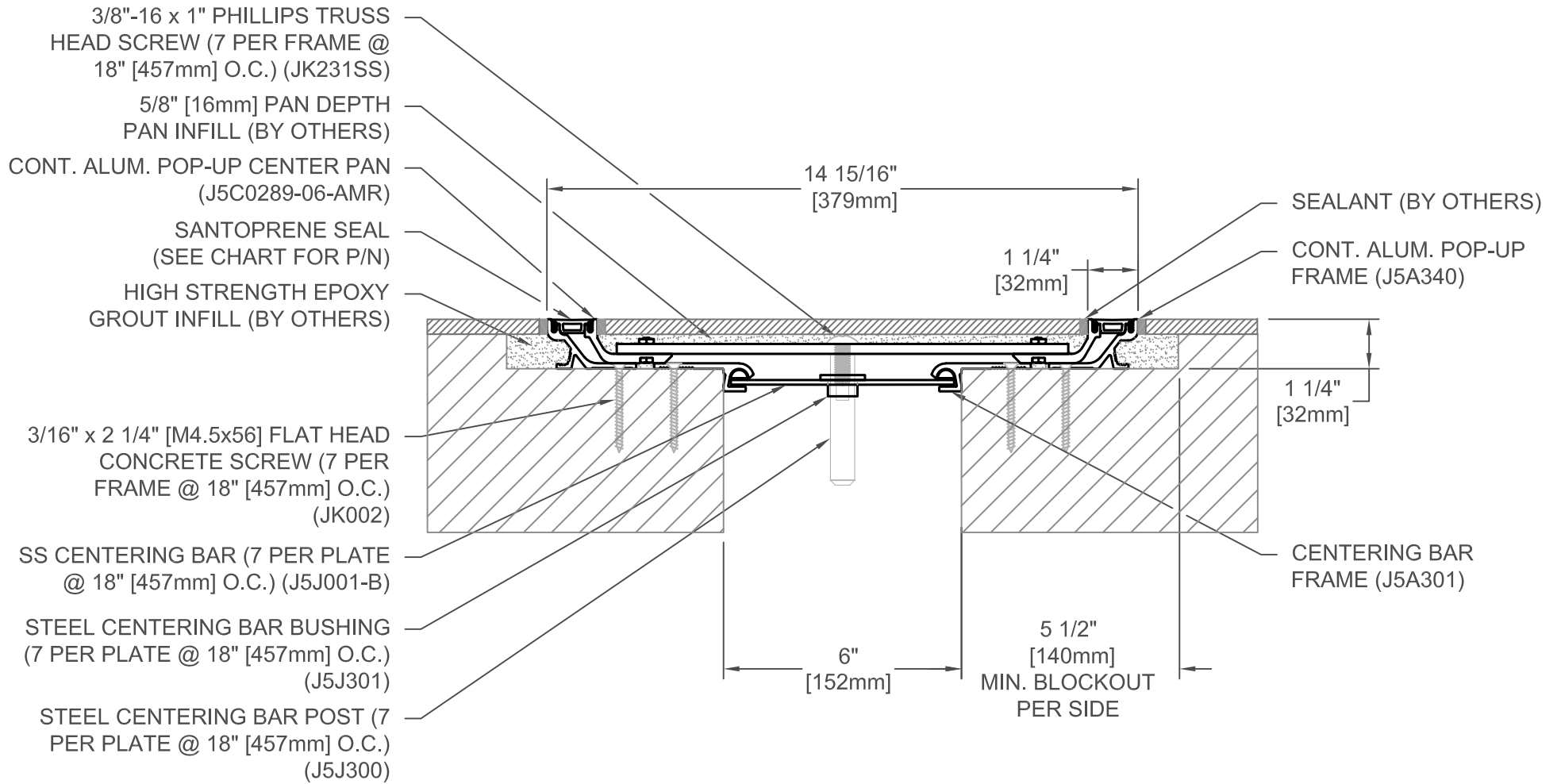
SPECIFY SEAL COLOR:	
Black (J1D501)	
Beige (J1D502)	
Gray (J1D503)	
Off White (J1D504)	
Griege (J1D506)	

FINISH: MILL
PROJECT:
CUSTOMER:
LOCATION:

APPLICATION-
POP-UP PAN SYSTEM,
INTERIOR FLOOR/FLOOR CONDITION

DATE:	6/26/19
SCALE:	1:4
DOC:	CADJM.213/R3





SPECIFY SEAL COLOR:	
Black (J1D501)	
Beige (J1D502)	
Gray (J1D503)	
Off White (J1D504)	
Griege (J1D506)	

501R-A01-150

JOINT WIDTH		MOVEMENT ±			
		HORIZONTAL		VERTICAL	
US	mm	US	mm	US	mm
6"	152	3"	75	1 1/4"	32

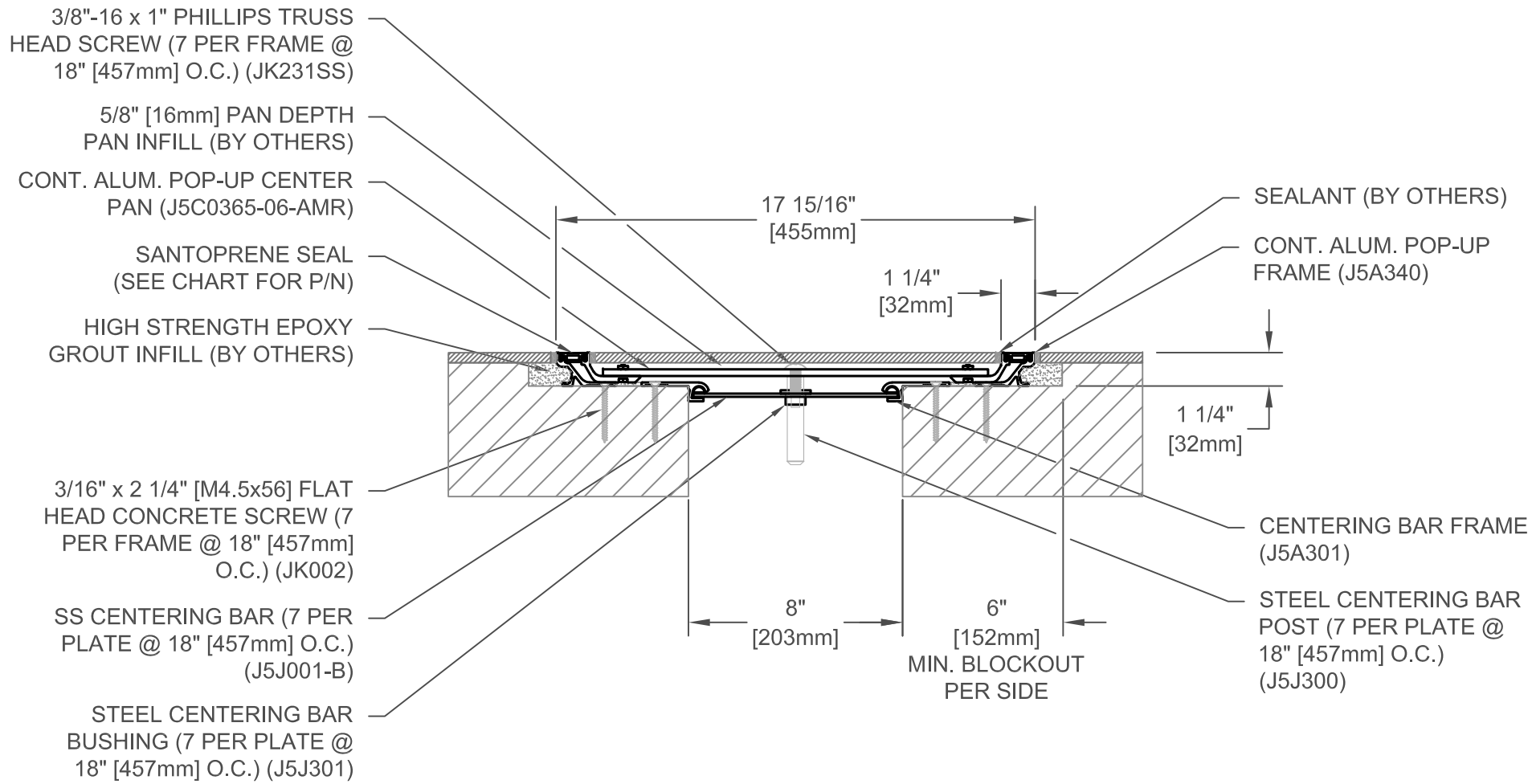
NOTE:
TO DETERMINE BLOCKOUT DEPTH,
DEDUCT THICKNESS OF FLOOR
FINISH FROM FRAME HEIGHT.

FINISH: MILL
PROJECT:
CUSTOMER:
LOCATION:

APPLICATION-
POP-UP PAN SYSTEM,
INTERIOR FLOOR/FLOOR CONDITION

DATE:	6/26/19
SCALE:	1:4
DOC:	CADJM.213/R3

inpro.
For More Information Visit: Inprocorp.com



SPECIFY SEAL COLOR:	
Black (J1D501)	
Beige (J1D502)	
Gray (J1D503)	
Off White (J1D504)	
Griege (J1D506)	

501R-A01-200

JOINT WIDTH		MOVEMENT ±			
		HORIZONTAL		VERTICAL	
US	mm	US	mm	US	mm
8"	203	4"	100	1 1/4"	32

NOTE:
TO DETERMINE BLOCKOUT DEPTH,
DEDUCT THICKNESS OF FLOOR
FINISH FROM FRAME HEIGHT.

FINISH: MILL
PROJECT:
CUSTOMER:
LOCATION:

APPLICATION-
POP-UP PAN SYSTEM,
INTERIOR FLOOR/FLOOR CONDITION

DATE:	6/26/19
SCALE:	1:6
DOC:	CADJM.213/R3



3/8"-16 x 1" PHILLIPS TRUSS
HEAD SCREW (7 PER FRAME @
18" [457mm] O.C.) (JK231SS)

5/8" [16mm] PAN DEPTH
PAN INFILL (BY OTHERS)

CONT. ALUM. POP-UP CENTER
PAN (J5C0442-06-AMR)

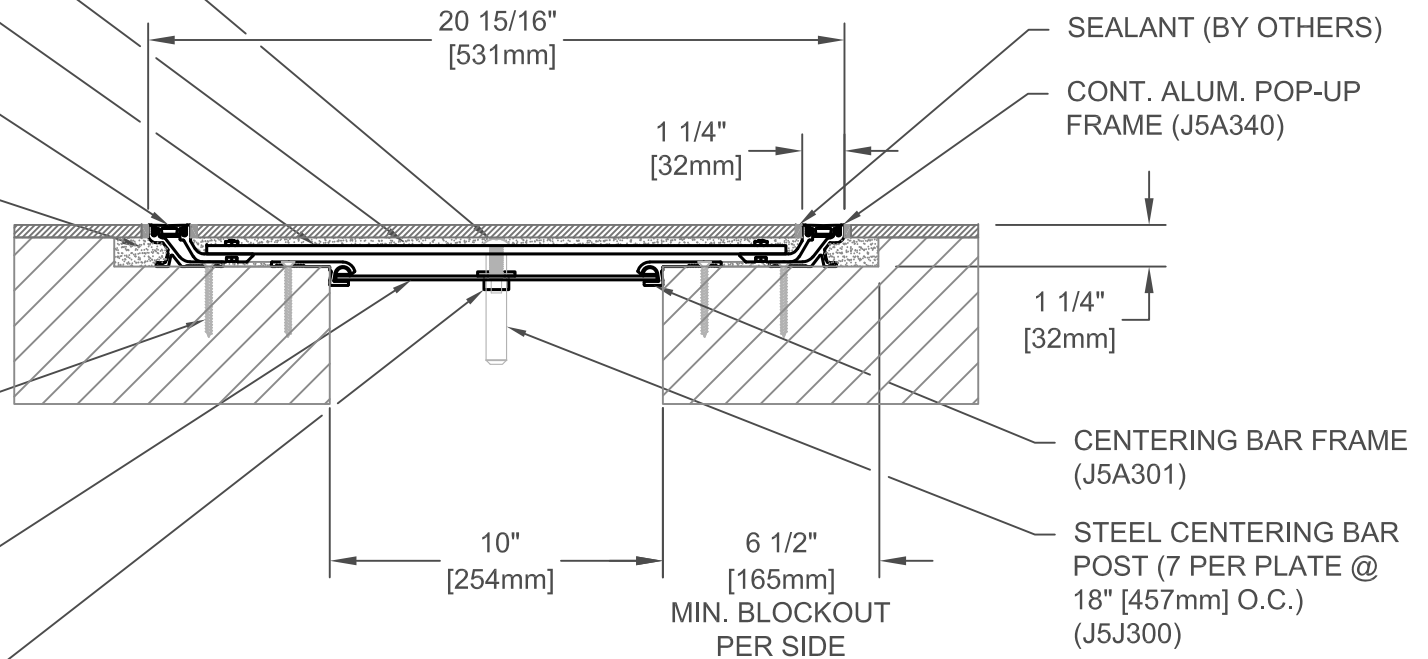
SANTOPRENE SEAL
(SEE CHART FOR P/N)

HIGH STRENGTH EPOXY
GROUT INFILL (BY OTHERS)

3/16" x 2 1/4" [M4.5x56] FLAT
HEAD CONCRETE SCREW (7
PER FRAME @ 18" [457mm]
O.C.) (JK002)

SS CENTERING BAR (7 PER
PLATE @ 18" [457mm] O.C.)
(J5J002-B)

STEEL CENTERING BAR
BUSHING (7 PER PLATE @
18" [457mm] O.C.) (J5J301)



SPECIFY SEAL COLOR:	
Black (J1D501)	
Beige (J1D502)	
Gray (J1D503)	
Off White (J1D504)	
Griege (J1D506)	

501R-A01-250

JOINT WIDTH		MOVEMENT ±			
		HORIZONTAL		VERTICAL	
US	mm	US	mm	US	mm
10"	254	5"	125	1 1/4"	32

NOTE:
TO DETERMINE BLOCKOUT DEPTH,
DEDUCT THICKNESS OF FLOOR
FINISH FROM FRAME HEIGHT.

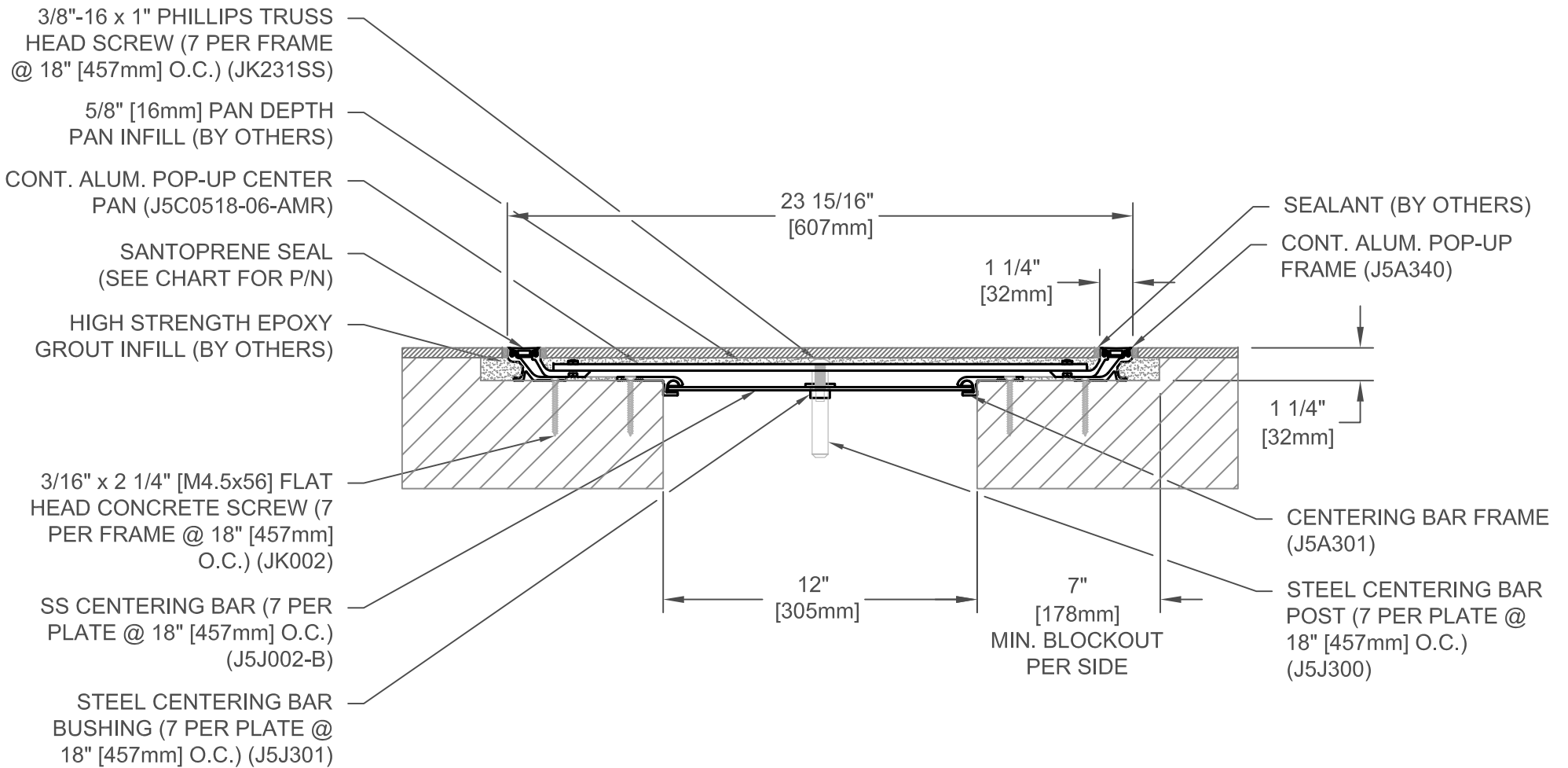
FINISH: MILL
PROJECT:
CUSTOMER:
LOCATION:

APPLICATION-
POP-UP PAN SYSTEM,
INTERIOR FLOOR/FLOOR CONDITION

DATE:	6/26/19
SCALE:	1:6
DOC:	CADJM.213/R3



For More Information Visit: Inprocorp.com



SPECIFY SEAL COLOR:	
Black (J1D501)	
Beige (J1D502)	
Gray (J1D503)	
Off White (J1D504)	
Griege (J1D506)	

501R-A01-300

JOINT WIDTH		MOVEMENT ±			
		HORIZONTAL		VERTICAL	
US	mm	US	mm	US	mm
12"	305	6"	150	1 1/4"	32

NOTE:
TO DETERMINE BLOCKOUT DEPTH,
DEDUCT THICKNESS OF FLOOR
FINISH FROM FRAME HEIGHT.

FINISH: MILL
PROJECT:
CUSTOMER:
LOCATION:

APPLICATION-
POP-UP PAN SYSTEM,
INTERIOR FLOOR/FLOOR CONDITION

DATE:	6/26/19
SCALE:	1:6
DOC:	CADJM.213/R3

inpro.
For More Information Visit: Inprocorp.com