

501R-A02-100

SPECIFY SEAL COLOR:	
Black (J1D501)	
Beige (J1D502)	
Gray (J1D503)	
Off White (J1D504)	
Grieger (J1D506)	

FINISH: MILL
PROJECT:
CUSTOMER:
LOCATION:

JOINT WIDTH		MOVEMENT ±			
		HORIZONTAL		VERTICAL	
US	mm	US	mm	US	mm
4"	101	1"	25	1 1/4"	32

NOTE:
TO DETERMINE BLOCKOUT DEPTH,
DEDUCT THICKNESS OF FLOOR
FINISH FROM FRAME HEIGHT.

APPLICATION-
POP-UP PAN SYSTEM,
INTERIOR FLOOR/FLOOR & FLOOR/WALL
CONDITION

DATE:	6/26/19
SCALE:	1:4
DOC:	CADJM.214/R2



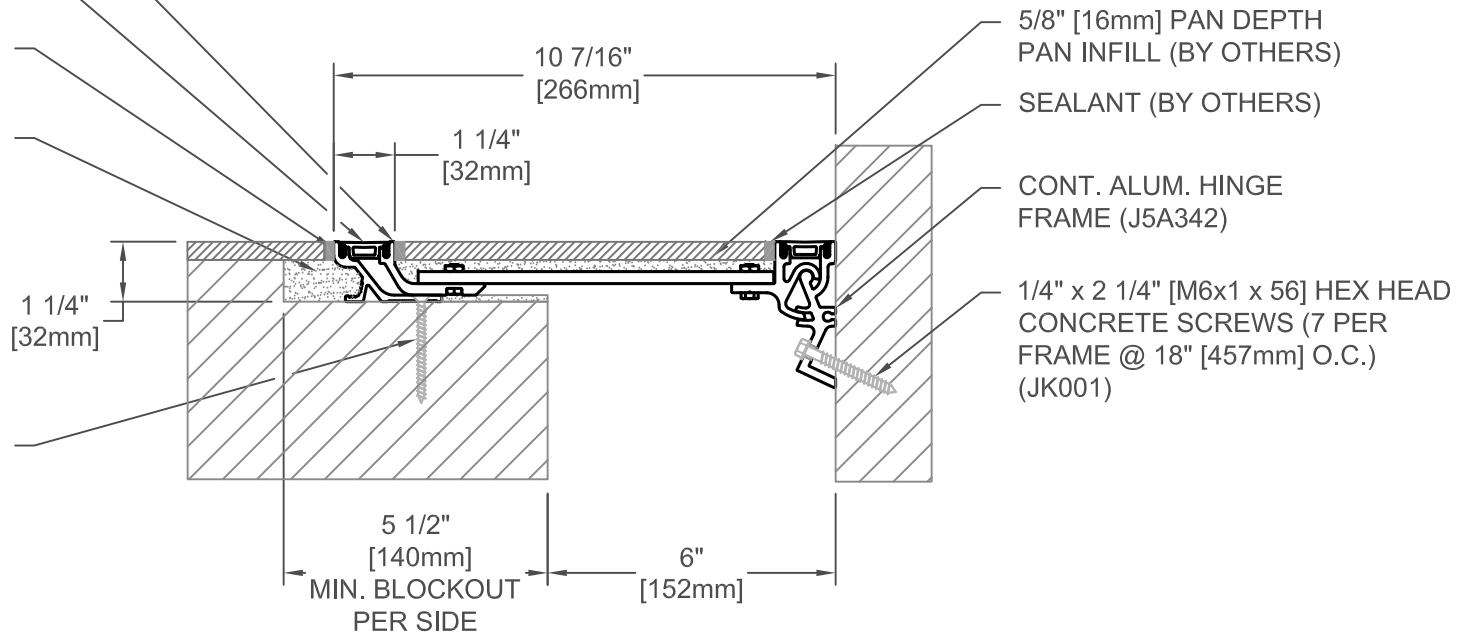
CONT. ALUM. POP-UP CENTER PAN
(J5C0188-06-AHMR)

SANTOPRENE SEAL
(SEE CHART FOR P/N)

CONT. ALUM. POP-UP
FRAME (J5A340)

HIGH STRENGTH EPOXY
GROUT INFILL (BY OTHERS)

3/16" x 2 1/4" [M4.5x56]
FLAT HEAD CONCRETE
SCREW (7 PER FRAME @
18" [457mm] O.C.) (JK002)



5/8" [16mm] PAN DEPTH
PAN INFILL (BY OTHERS)

SEALANT (BY OTHERS)

CONT. ALUM. HINGE
FRAME (J5A342)

1/4" x 2 1/4" [M6x1 x 56] HEX HEAD
CONCRETE SCREWS (7 PER
FRAME @ 18" [457mm] O.C.)
(JK001)

SPECIFY SEAL COLOR:	
Black (J1D501)	
Beige (J1D502)	
Gray (J1D503)	
Off White (J1D504)	
Grieger (J1D506)	

FINISH: MILL
PROJECT:
CUSTOMER:
LOCATION:

501R-A02-150

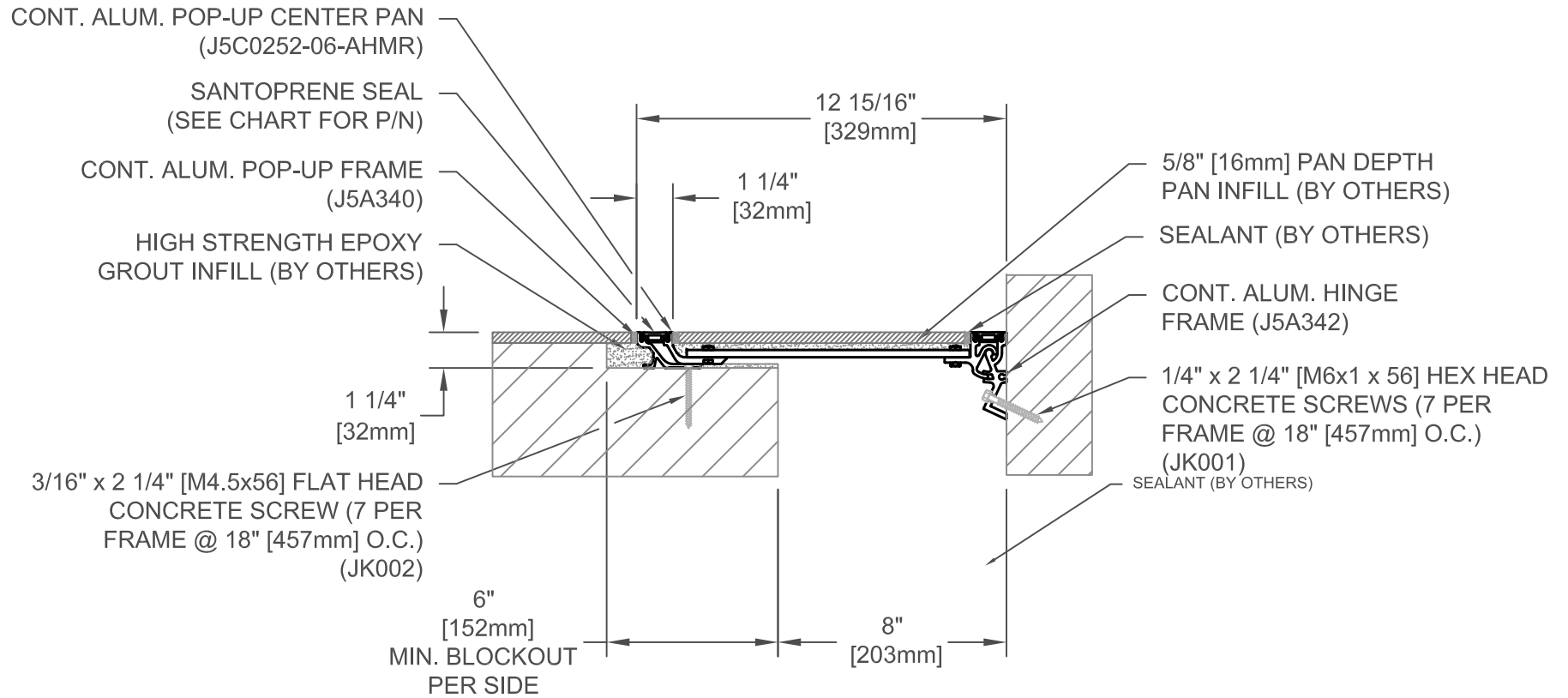
JOINT WIDTH		MOVEMENT ±			
		HORIZONTAL		VERTICAL	
US	mm	US	mm	US	mm
6"	152	1 1/2"	38	1 1/4"	32

NOTE:
TO DETERMINE BLOCKOUT DEPTH,
DEDUCT THICKNESS OF FLOOR
FINISH FROM FRAME HEIGHT.

APPLICATION-
POP-UP PAN SYSTEM,
INTERIOR FLOOR/FLOOR & FLOOR/WALL
CONDITION

DATE:	6/26/19
SCALE:	1:4
DOC:	CADJM.214/R2

inpro.
For More Information Visit: Inprocorp.com



SPECIFY SEAL COLOR:	
Black (J1D501)	
Beige (J1D502)	
Gray (J1D503)	
Off White (J1D504)	
Griege (J1D506)	

501R-A02-200

JOINT WIDTH		MOVEMENT ±			
		HORIZONTAL		VERTICAL	
US	mm	US	mm	US	mm
8"	203	2"	51	1 1/4"	32

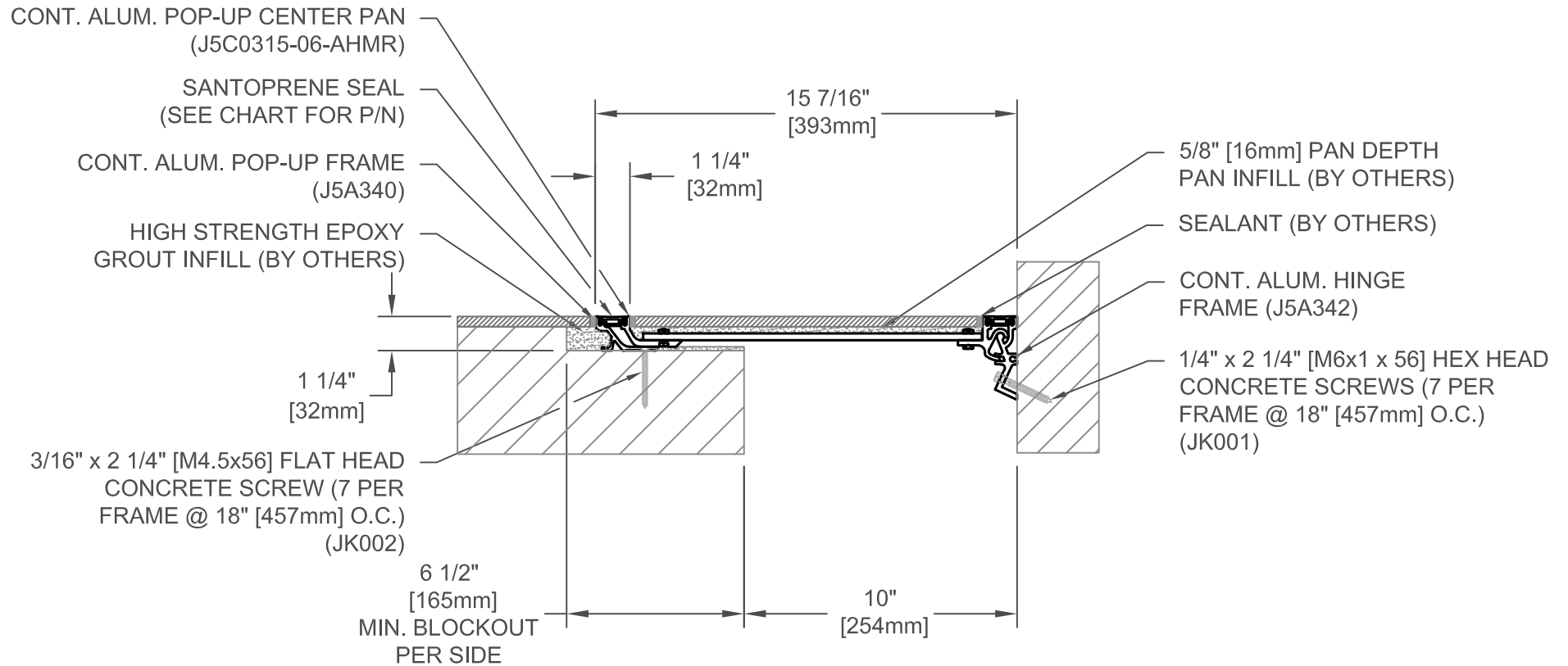
NOTE:
TO DETERMINE BLOCKOUT DEPTH,
DEDUCT THICKNESS OF FLOOR
FINISH FROM FRAME HEIGHT.

FINISH: MILL
PROJECT:
CUSTOMER:
LOCATION:

APPLICATION-
POP-UP PAN SYSTEM,
INTERIOR FLOOR/FLOOR & FLOOR/WALL
CONDITION

DATE:	6/26/19
SCALE:	1:6
DOC:	CADJM.214/R2





SPECIFY SEAL COLOR:	
Black (J1D501)	
Beige (J1D502)	
Gray (J1D503)	
Off White (J1D504)	
Griege (J1D506)	

501R-A02-250

JOINT WIDTH		MOVEMENT ±			
		HORIZONTAL		VERTICAL	
US	mm	US	mm	US	mm
10"	254	2 1/2"	64	1 1/4"	32

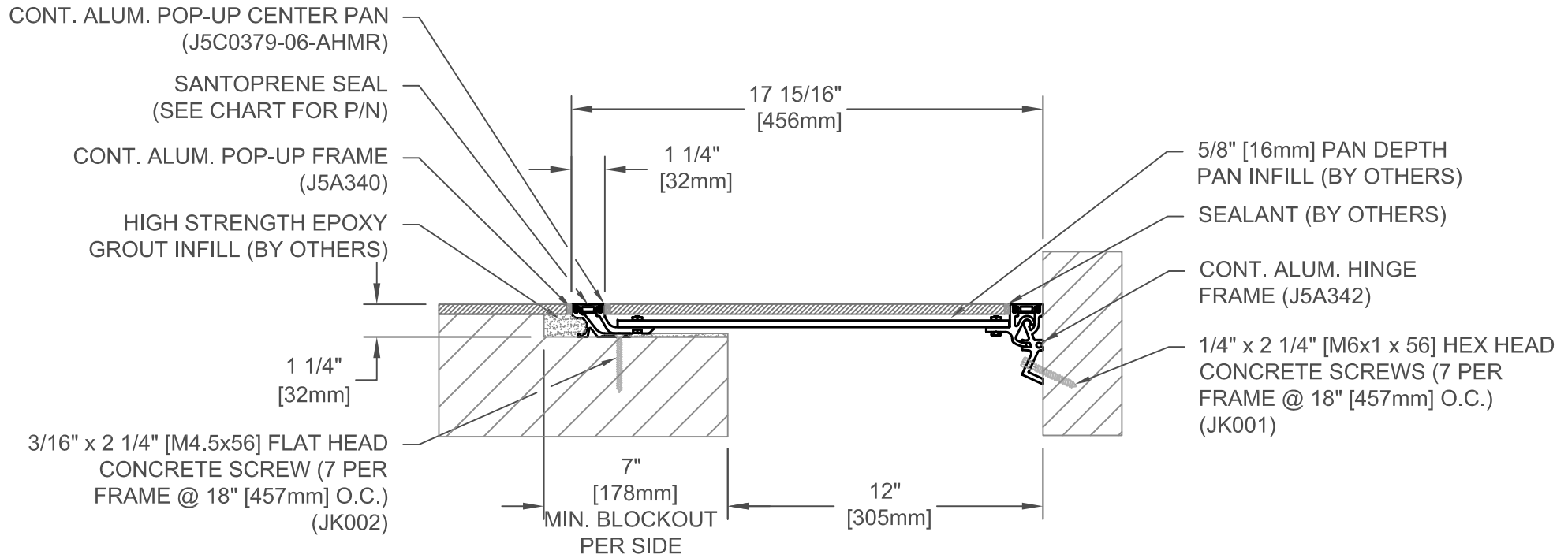
NOTE:
TO DETERMINE BLOCKOUT DEPTH,
DEDUCT THICKNESS OF FLOOR
FINISH FROM FRAME HEIGHT.

FINISH: MILL
PROJECT:
CUSTOMER:
LOCATION:

APPLICATION-
POP-UP PAN SYSTEM,
INTERIOR FLOOR/FLOOR & FLOOR/WALL
CONDITION

DATE:	6/26/19
SCALE:	1:6
DOC:	CADJM.214/R2





SPECIFY SEAL COLOR:	
Black (J1D501)	
Beige (J1D502)	
Gray (J1D503)	
Off White (J1D504)	
Griege (J1D506)	

501R-A02-300

JOINT WIDTH		MOVEMENT ±			
		HORIZONTAL		VERTICAL	
US	mm	US	mm	US	mm
12"	305	3"	75	1 1/4"	32

NOTE:
TO DETERMINE BLOCKOUT DEPTH,
DEDUCT THICKNESS OF FLOOR
FINISH FROM FRAME HEIGHT.

FINISH: MILL
PROJECT:
CUSTOMER:
LOCATION:

APPLICATION-
POP-UP PAN SYSTEM,
INTERIOR FLOOR/FLOOR & FLOOR/WALL
CONDITION

DATE:	6/26/19
SCALE:	1:6
DOC:	CADJM.214/R2



For More Information Visit: Inprocorp.com