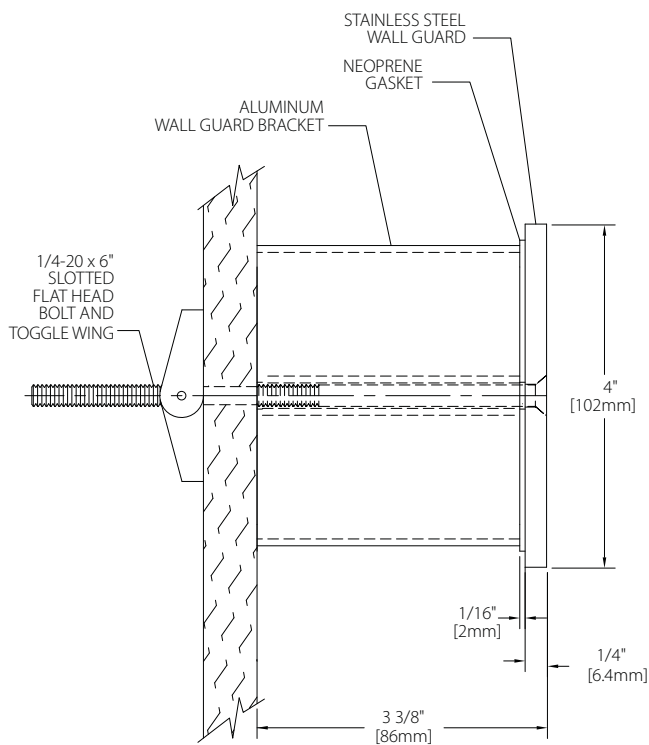


51SS Stainless Steel

Wall Guard



- 4" (102mm) of wall protection, extends 3/16" (85mm) from wall
- 1/4" (6.4mm) thick standard Type 304, 16 gauge stainless steel in a No. 4 satin finish
- Features a new tubular bracket and mounting design with exposed screws
- Pre-cut and pre-drilled for easy installation
- Made using 75% post-consumer recycled material -- may contribute to Recycled Content credit in the LEED® Rating Systems
- Provides superior impact resistance in kitchens, corridors, or other high abuse areas

IPC.480/REV.2

51SS Stainless Steel Wall Guard

Suggested Specifications

PART 1 - GENERAL

1.01 SUMMARY

A. Stainless Steel Wall Guard system for wall protection

1.02 SECTION INCLUDES

A. 51SS Stainless Steel Wall Guard Systems

1.03 SUBMITTALS

A. Product data for each type of wall guard specified.

B. Detail drawings indicating mounting details with the appropriate fasteners for specific project substrates.

C. Samples for verification purposes of wall guard, 6" (152mm) long, in full size profiles of each type indicated.

D. Cleaning and maintenance instructions for door and wall protection systems.

1.04 DELIVERY, STORAGE AND HANDLING

A. Deliver materials in unopened factory packaging to the jobsite and store in original packaging in a climate controlled location away from direct sunlight.

1.05 PROJECT CONDITIONS

A. Products must be installed in an interior climate controlled environment.

1.06 WARRANTY

A. Standard IPC Limited Lifetime Warranty against material and manufacturing defects.

PART 2 - PRODUCTS

2.01 MANUFACTURER

A. Acceptable Manufacturer:

IPC Door and Wall Protection Systems,

InPro Corporation, PO Box 406 Muskego, WI 53150 USA

Telephone: 800.222.5556, Fax: 888.715.8407,

www.inprocorp.com

B. Substitutions: Not permitted

C. Provide all wall guards and wall protection from a single source.

2.02 MANUFACTURED UNITS

A. Wall Guards

1. Stainless Steel Wall Guard with tubular mounting bracket and neoprene gasket. Wall guard shall have exposed mounting fasteners.

Model Size 51SS, 4" (102mm) h x 3-5/16" (84mm) deep, Fabricated to field verified dimensions

2.03 MATERIALS

A. Stainless Steel: Wall Guard shall be manufactured from type 304 Stainless Steel.

B. Aluminum: Wall guard mounting bracket shall be extruded from 6063-T5 aluminum.

C. Neoprene: Gasket shall be fabricated from 70A durometer neoprene.

2.04 FINISHES

A. Stainless Steel: Stainless steel wall guard shall have a #4 satin finish.

B. Aluminum: Aluminum bracket shall have a clear anodized finish.

C. Neoprene: Neoprene gasket shall be black.

PART 3 - EXECUTION

3.01 EXAMINATION

A. Examine areas and conditions in which the wall guard systems will be installed.

1. Complete all finishing operations, including painting, before beginning installation of wall guards.

B. Wall surface shall be dry and free from dirt, grease and loose paint.

3.02 PREPARATION

A. General: Prior to installation, clean substrate to remove dust, debris and loose particles.

3.03 INSTALLATION

A. General: Locate the wall guard as indicated on the approved detail drawing for the appropriate substrate and in compliance with the IPC installation instructions. Install wall guard level and plumb at the height indicated on the drawings.

B. Installation of Stainless Steel Wall Guards:

Note: The 51SS Stainless Steel Wall Guard is manufactured to lengths specified by the customer.

1. Layout the wall guard sections in the installation area.

2. Determine the height of the wall guard. Snap a chalk line 2" [51mm] below that height. The chalk line is the centerline of the fasteners.

3. Use the wall guard as a template to mark the mounting hole locations. If inside and outside corners are part of the installation allow 3-1/8" [80mm] for the bracket and gasket depth when positioning the wallguard. The

distance from the wall to the back of the wall guard is 3-1/8" [80mm]. Drill marked holes with 3/4" drill bit for toggle bolts (drywall installation) or 1/2" drill bit for lead anchor (concrete wall installation). Mount brackets to the wall, tighten screws to secure.

4. Loosely attach the wall guard, gasket, mounting bracket and appropriate fasteners at each mounting location. When the installation involves longer lengths or is a continuous installation with corners, a single bracket is used at the butt joint.

5. Lift the wall guard assembly to the wall, level and tighten until secure making sure any butt joints are aligned.

3.04 CLEANING

A. At completion of the installation, clean surfaces in accordance with the IPC clean up and maintenance instructions