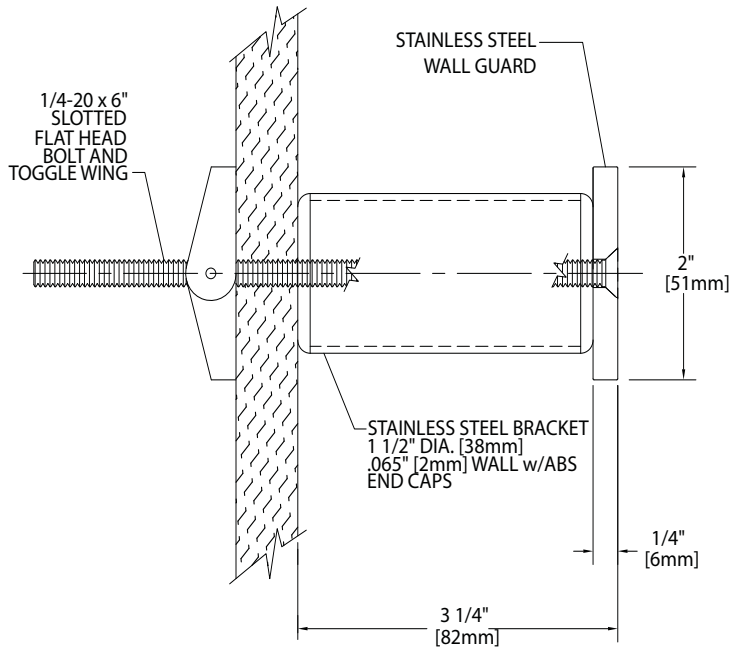


Installation Instructions

52SS Stainless Steel Wall Guard

53SS Stainless Steel Wall Guard

Please read all instructions before installing wallguard.

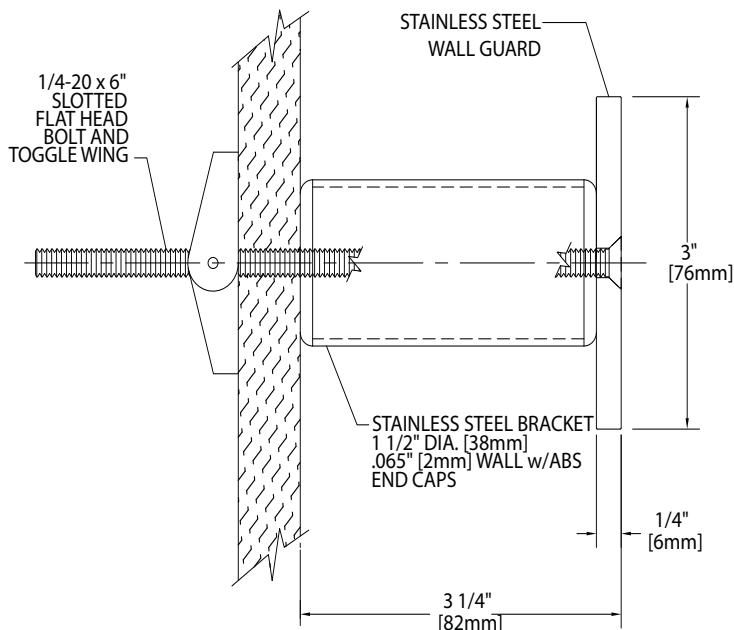


52SS Wall Guard

NOTE: The 52SS and 53SS Stainless Steel Wall Guard is manufactured to lengths specified by the customer.

52SS Wall Guard Components

- 52SSBAR - Wall Guard
- 52SSLR - Left Return
- 52SSRR - Right Return
- 52SSOC - Outside Corner
- 52SSIC - Inside Corner
- 52SSBK - Stainless Steel Bracket



53SS Wall Guard

53SS Wall Guard Components

- 53SSBAR - Wall Guard
- 53SSLR - Left Return
- 53SSRR - Right Return
- 53SSOC - Outside Corner
- 53SSIC - Inside Corner
- 52SSBK - Stainless Steel Bracket

IPC.1992/REV1

Installation Hotline • 866.EZINPRO
 Inprocorp.com • 800.222.5556 • 262.679.9010
 World Headquarters S80 W18766 Apollo Drive, Muskego, WI 53150 USA

IPC •
 DOOR + WALL PROTECTION SYSTEMS
 A DIVISION OF INPRO®

Installation Instructions

52SS Stainless Steel Wall Guard

53SS Stainless Steel Wall Guard

Please read all instructions before installing wallguard.

FIG. 1

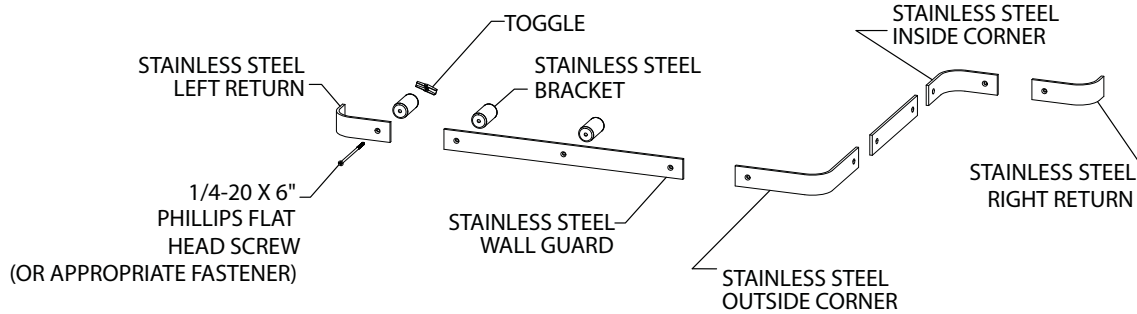
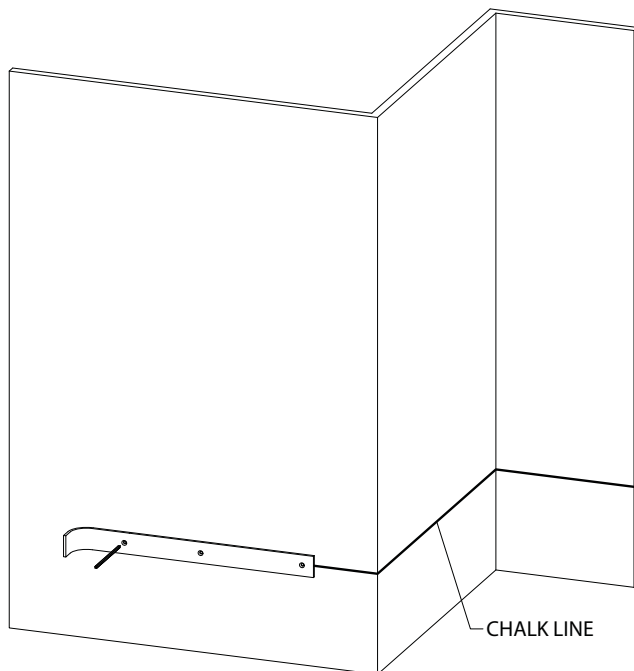


FIG. 2



1. Layout the wall guard sections in the installation area.
See Figure 1.

2. Determine the height of the wall guard.

52SS Deduct 1" [25mm]

53SS Deduct 1 1/2" [38mm]

Snap a chalk line 1" below that height. The chalk line is the centerline of the fasteners.

3. Use the wall guard as a template to mark the mounting hole locations. If inside and outside corners are part of the installation allow 3" [76mm] for the bracket depth when positioning the wall guard. The distance from the wall to the back of the wall guard is 3" [76mm].

See Figure 2

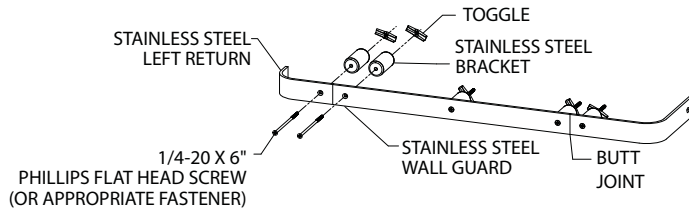
Installation Instructions

52SS Stainless Steel Wall Guard

53SS Stainless Steel Wall Guard

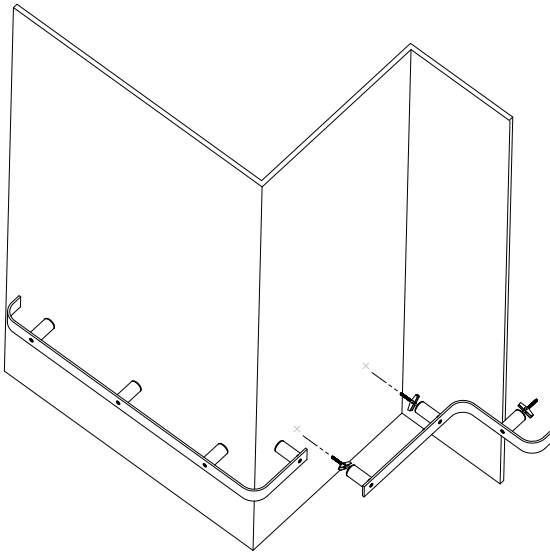
Please read all instructions before installing wallguard.

FIG. 3



- Loosely attach the mounting brackets and appropriate fasteners at each mounting location. When the installation involves longer lengths or is a continuous installation with corners, a single bracket is used at each side of the butt joint. See Figure 3.

FIG. 4



- Starting at one end, lift the wall guard assembly to the wall, level and tighten until secure. Continue this process sequentially making sure all butt joints are aligned and tight. See Figure 4.

FIG. 5

