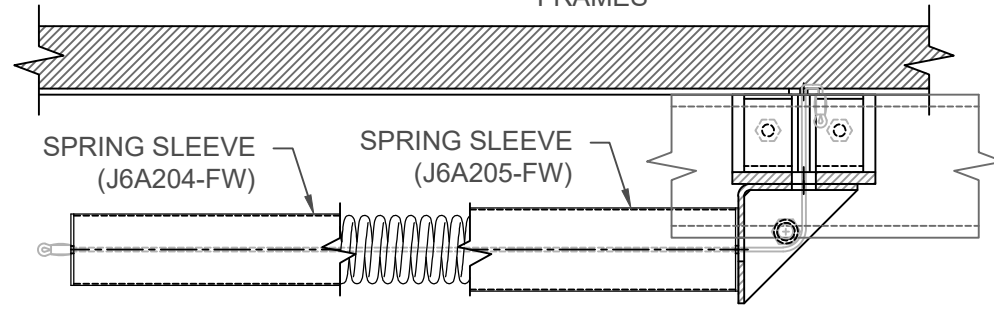


**601-A07/A09-300
THERMAL**

JOINT WIDTH		MOVEMENT ±			
		HORIZONTAL		VERTICAL	
US	mm	US	mm	US	mm
12"	305	1"	25	1"	25

SEISMIC

JOINT WIDTH		MOVEMENT ±			
		HORIZONTAL		VERTICAL	
US	mm	US	mm	US	mm
12"	305	6"	152	6"	152



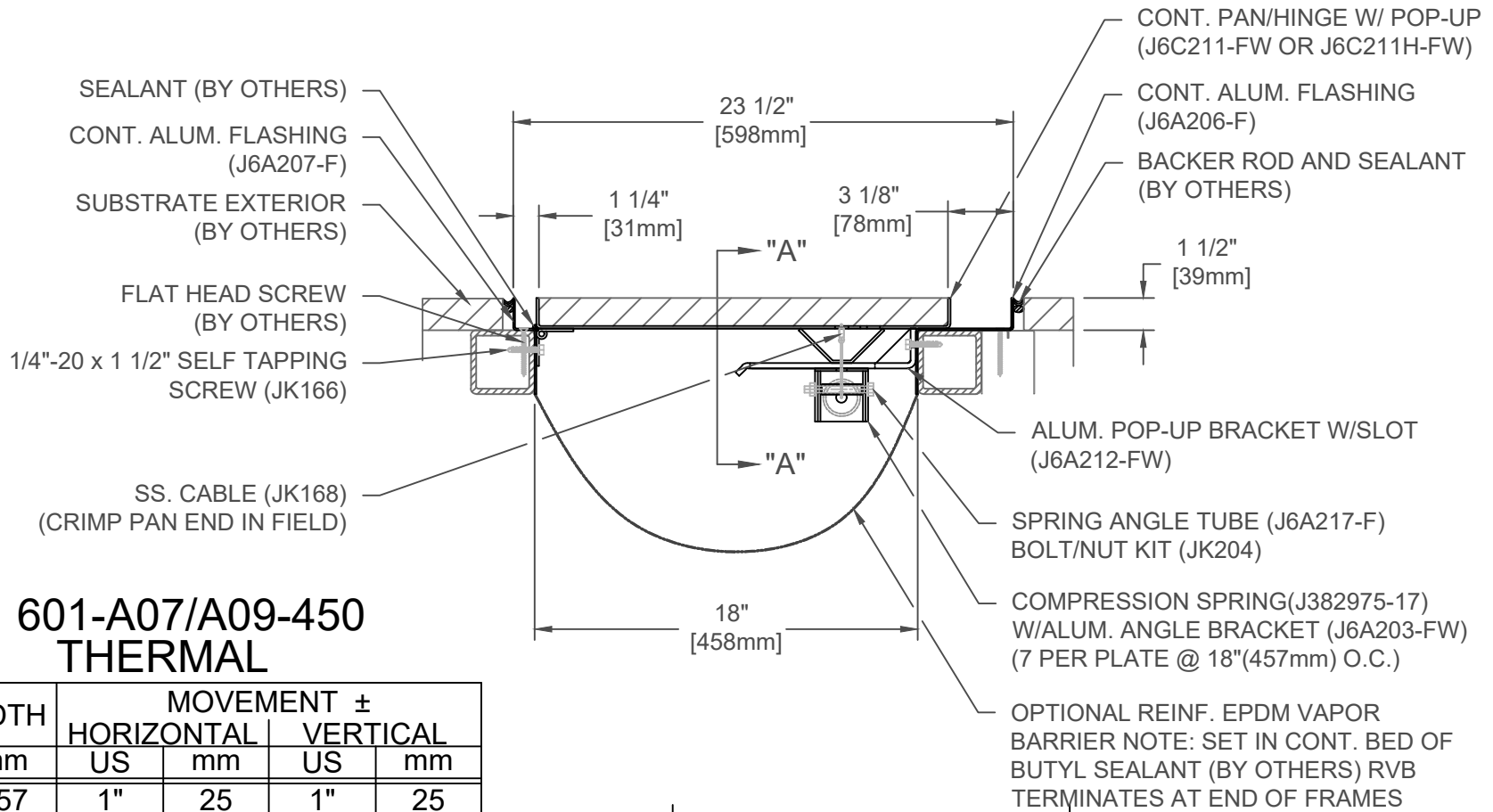
VIEW A - A

FINISH: MILL
PROJECT:
CUSTOMER:
LOCATION:

APPLICATION-
 EXTERIOR POP-UP SYSTEM
 WALL/WALL & WALL/CORNER CONDITION

DATE:	9-11-12
SCALE:	1:4
DOC:	CADJM.141/R2

For More Information Visit: Inprocorp.com

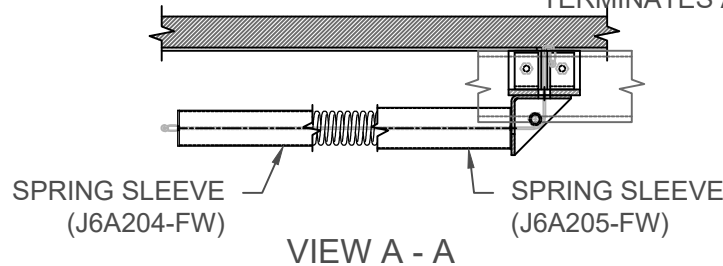


**601-A07/A09-450
THERMAL**

JOINT WIDTH		MOVEMENT ±			
		HORIZONTAL		VERTICAL	
US	mm	US	mm	US	mm
18"	457	1"	25	1"	25

SEISMIC

JOINT WIDTH		MOVEMENT ±			
		HORIZONTAL		VERTICAL	
US	mm	US	mm	US	mm
18"	457	9"	229	9"	229



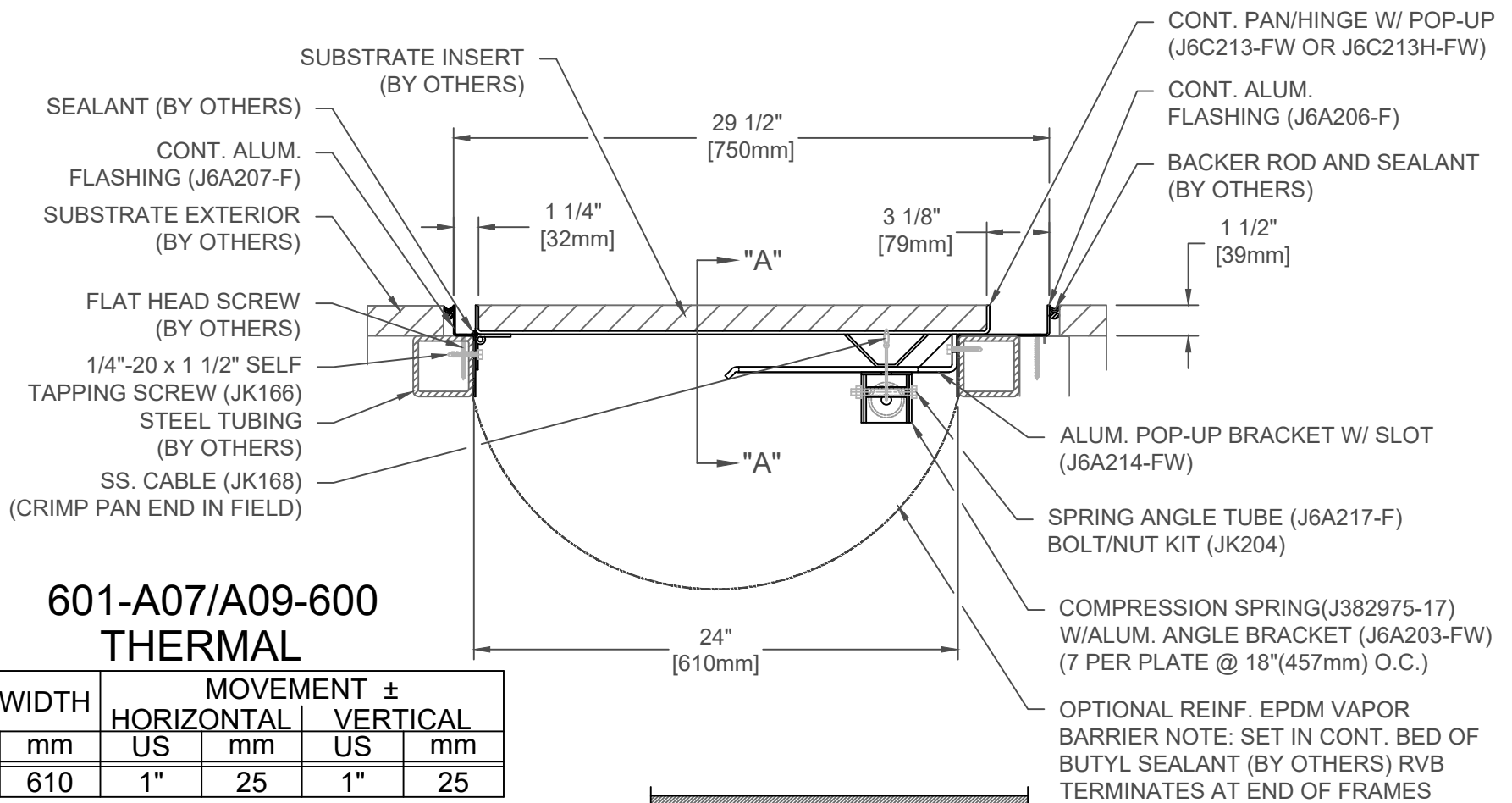
APPLICATION-
EXTERIOR POP-UP SYSTEM
WALL/WALL & WALL/CORNER CONDITION

DATE: 9-11-12
SCALE: 1:8
DOC: CADJM.141/R2



For More Information Visit: Inprocorp.com

FINISH: MILL
PROJECT:
CUSTOMER: ADJM.141/R2
LOCATION:

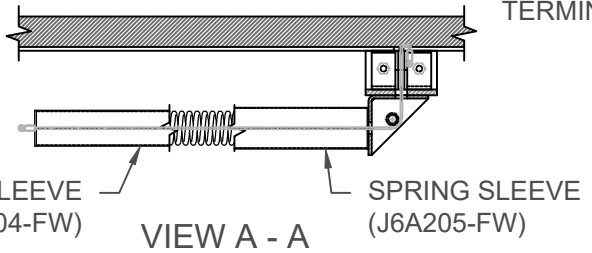


**601-A07/A09-600
THERMAL**

JOINT WIDTH		MOVEMENT ±			
		HORIZONTAL		VERTICAL	
US	mm	US	mm	US	mm
24"	610	1"	25	1"	25

SEISMIC

JOINT WIDTH		MOVEMENT ±			
		HORIZONTAL		VERTICAL	
US	mm	US	mm	US	mm
24"	610	12"	305	12"	305



FINISH: MILL
PROJECT:
CUSTOMER: ADJM.141/R2
LOCATION:

**APPLICATION-
EXTERIOR POP-UP SYSTEM
WALL/WALL & WALL/CORNER CONDITION**

DATE:	9-11-12
SCALE:	1:8
DOC:	CADJM.141/R2

inpro.

For More Information Visit: Inprocorp.com