

Installation Instructions

Joint System: STEALTH 601-A07/A09

Note: Verify that the structural gap is in conformance with submittal data before beginning installation. If this is a Fire Rated Assembly, install the fire barrier before the Architectural Joint System. Refer to the fire barrier instructions for specific system installation.

Fig. 1

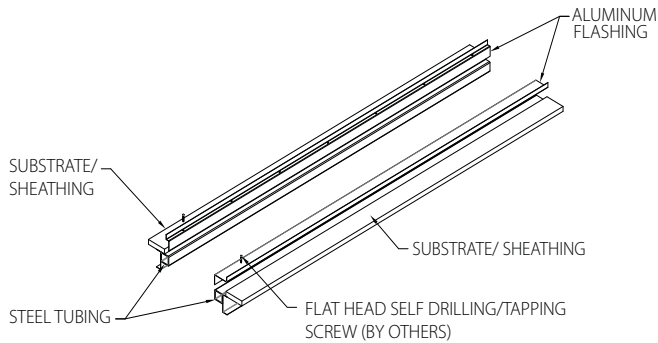


Figure 1 - Flashing Placement

1. If needed cut the aluminum flashing to the desired length.
2. Place the aluminum flashing on the inside face of the steel tubing and about the structure per Architectural details at the exterior faces.
3. Fasten aluminum flashing to tubing or substate with flat head self drilling/tapping screws (by others).

Figure 2 - Pan Attachment

4. Attach the Pan assembly at the hinge points to steel tubing using a 1/4-14 Drill-flex self tapping screw (3 points per hinge). Be sure to keep the bottom of the pan flush the flashing.

Fig. 2

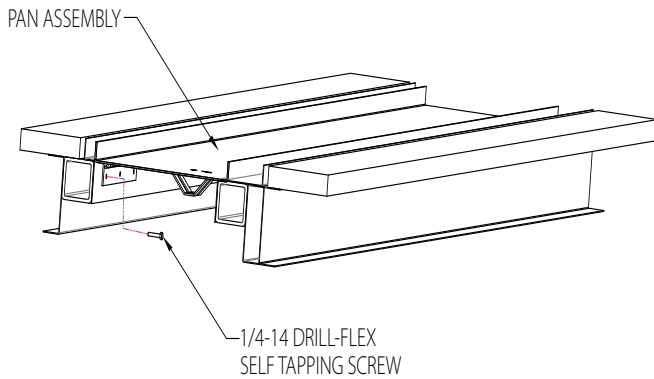
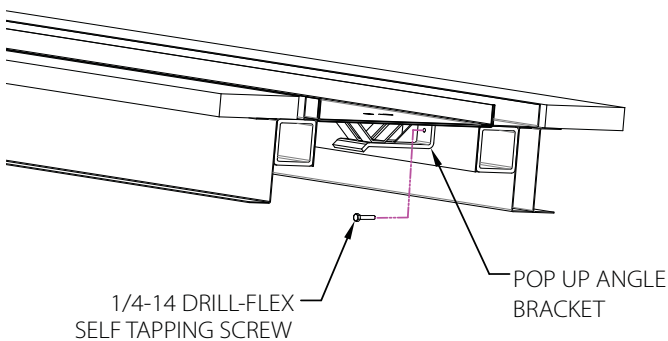


Figure 3 - Bracket Attachment

5. Center the Pop up angle bracket with the Pop ups rails on the back of the Pan assembly and mark the steel.
6. Attach the Pop up angle bracket to the steel tubing using a 1/4-14 Drill-flex self tapping screw.

Fig. 3



IPC.1516/REV.1

Installation Instructions

Joint System: STEALTH 601-A07/A09

Fig. 4

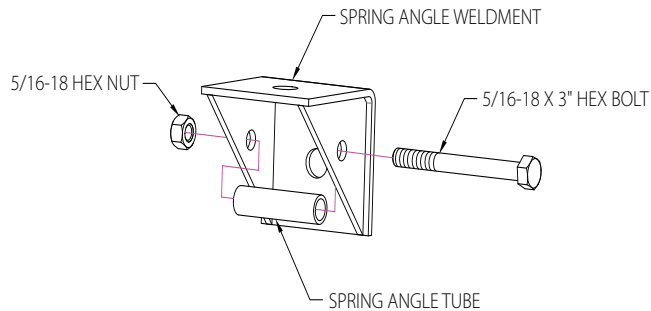


Fig. 5

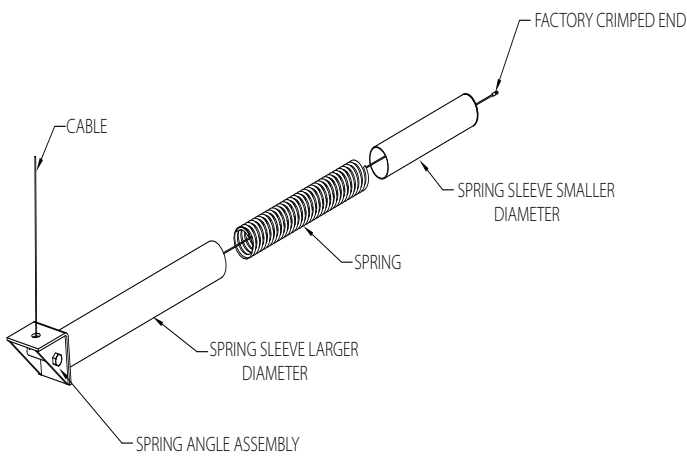


Fig. 6

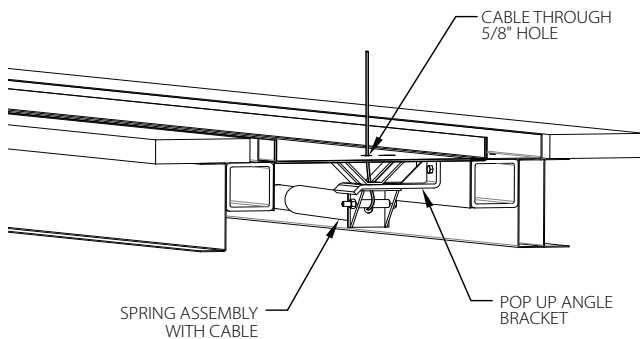


Figure 4 - Cable Feed Assembly

7. Assemble Hex bolt through Spring angle weldment and Spring angle tube.
8. Tighten Hex nut on Hex bolt.
9. Ensure Spring angle tube moves freely.

Figure 5 - Compression Spring Assembly

10. Feed the cable through the components as shown. Keep the factory crimped end on the smaller diameter of the Spring sleeve.

Figure 6 - Spring Tensioning Procedure

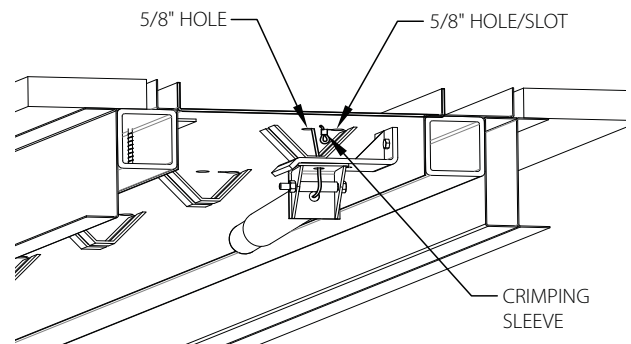
11. Put **ALL** the cables through the Pop up bracket and 5/8" hole in pan. Pull the slack out of the cable and secure the cables in place temporarily with clamps.
12. Mark the cable against the face of the pan.
13. Pull the cable to the prescribed length and add a second mark to the cable. This is where crimp sleeve will be attached for the proper preload of the spring. Once the crimp is in place use the proper crimping tool.
14. Pull the cable an additional 1 to 2 inches from the location of the crimp sleeve and clamp the cable against the pan. This will make it easier to loop the cable through the crimping sleeve and crimp.

Figure 7 - Final Assembly

15. Put the crimped end of the cable through the 5/8" hole/slot and hold the crimped end tight against the slot/pan as you release the clamps.
16. Cut off the excess cable.
17. Infill the pan with the desired veneer.

NOTE: Proper coordination between the Architect and General Contractor to occur to ensure attachment of the various veneer systems do not interfere with operation of the joint.

Fig. 7



Installation Questions?

Contact our Installation Hotline 866.EZINPRO
For Sales & Customer Service call 800.222.5556