

REINF. EPDM VAPOR BARRIER (JL018-RVB) NOTE: SET IN CONT. BED OF BUTYL SEALANT (BY OTHERS) TERMINATE RVB AT OUTSIDE EDGES OF SYSTEM

CENTER BAR ALUM. ASSEMBLY (7 PER FRAME) (J616/621-A1)

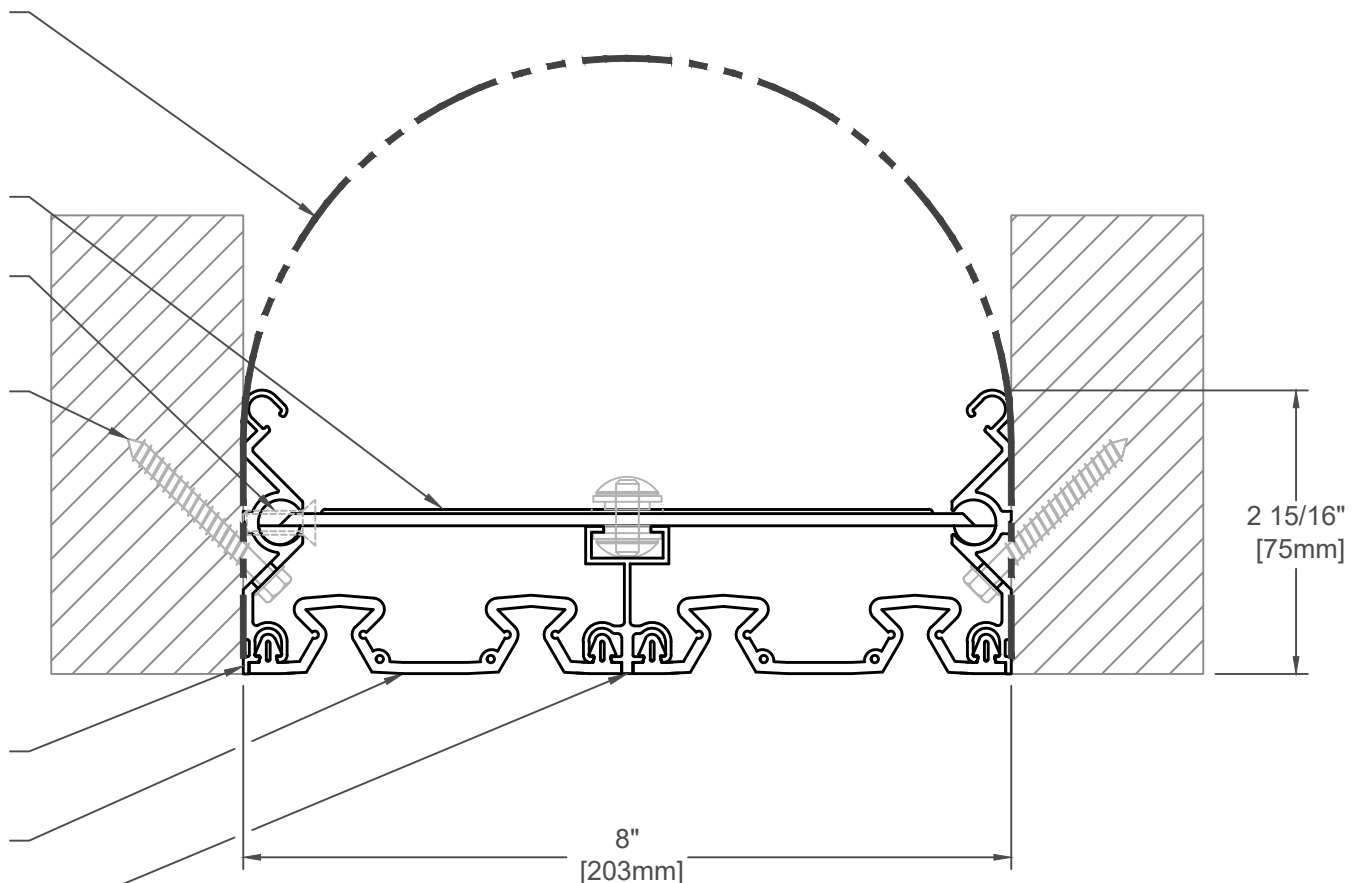
1/4-20 x 3/4" SS PH MACHINE SCREW ONE SIDE ONLY (8 PER FRAME) (JKSS26)

1/4" x 2 1/4" [M6x56] HEX HEAD CONCRETE SCREW (7 PER FRAME @ 18" [457mm] O.C.) (JK001) WHERE ACCESSIBLE OR FASTEN FRAME WITH EPOXY ADHESIVE (BY OTHERS)

CONT. FLUSH MOUNT FRAME (J6A006-F1)

CONT. 4" [102mm] SANTOPRENE SEAL

CONT. CENTER FACESEAL FRAME (J6A008)



SPECIFY SEAL COLOR:	
Black (J6D401)	
Beige (J6D402)	
Gray (J6D403)	
Off White (J6D404)	
Bright White (J2D405)	

616-A07-200

JOINT WIDTH		MOVEMENT ±			
		HORIZONTAL		VERTICAL	
US	mm	US	mm	US	mm
8"	203	4"	102	4"	102

FINISH: ALUM. FINISH - MILL

PROJECT:

CUSTOMER:

LOCATION:

APPLICATION-
FLUSH MOUNT WALL/WALL, CEILING/CEILING
EXTERIOR CONDITION

DATE: 11-15-07

SCALE: 1:2

DOC: CADJM.144/R3



For More Information Visit: Inprocorp.com

REINF. EPDM VAPOR BARRIER
(JL024-RVB) NOTE: SET IN
CONT. BED OF BUTYL
SEALANT (BY OTHERS)
TERMINATE RVB AT OUTSIDE
EDGES OF SYSTEM

CENTER BAR ALUM.
ASSEMBLY (7 PER FRAME)
(J616/621-A2)

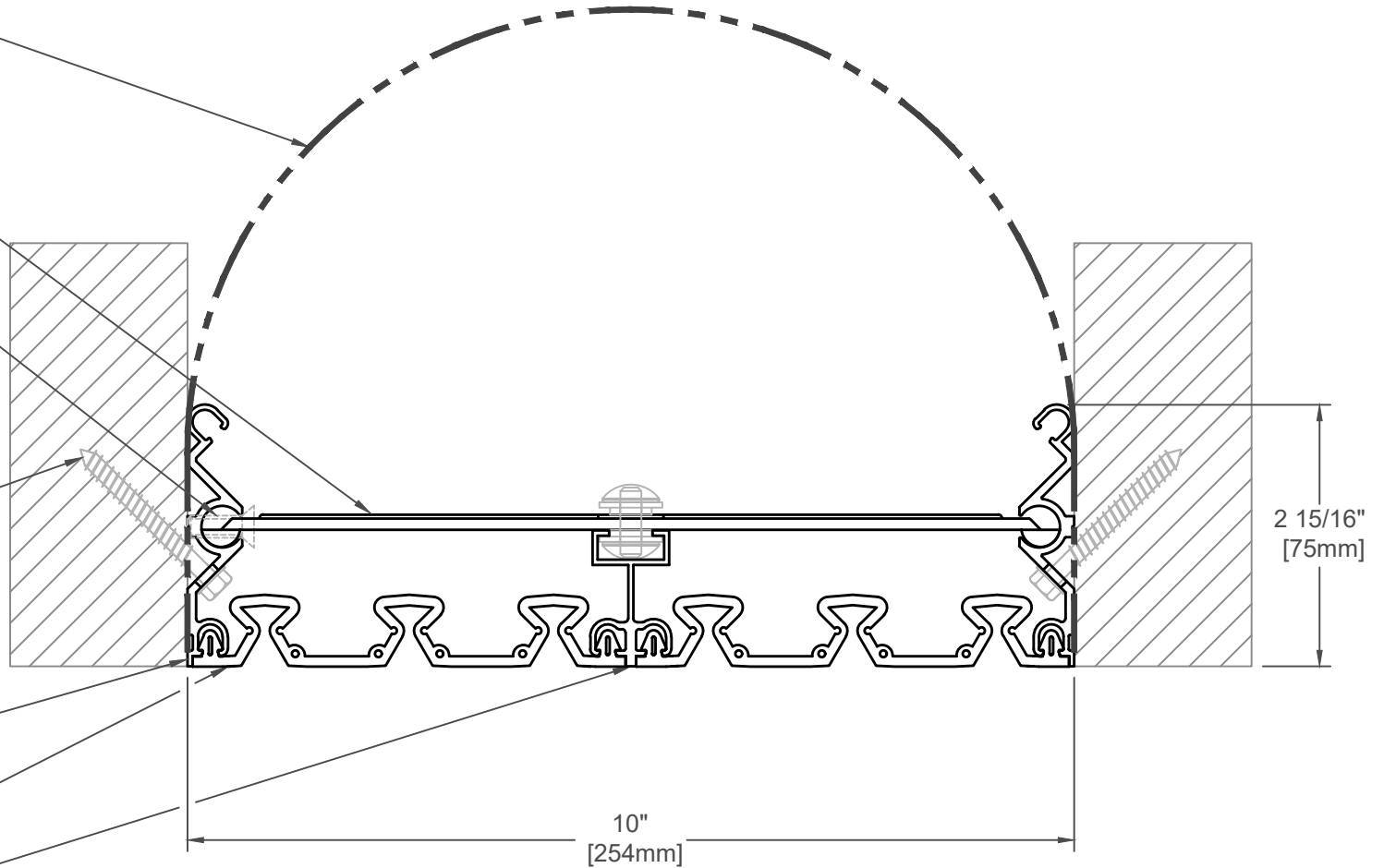
1/4-20 x 3/4" SS PH MACHINE
SCREW ONE SIDE ONLY (8
PER FRAME) (JKSS26)

1/4" x 2 1/4" [M6x56] HEX HEAD
CONCRETE SCREW (7 PER
FRAME @ 18" [457mm] O.C.)
(JK001) WHERE ACCESSIBLE
OR FASTEN FRAME WITH
EPOXY ADHESIVE (BY
OTHERS)

CONT. FLUSH MOUNT
FRAME (J6A006-F1)

CONT. 5" [127mm]
SANTOPRENE SEAL

CONT. CENTER FACESEAL
FRAME (J6A008)



616-A07-250

SPECIFY SEAL COLOR:	
Black (J6D501)	
Beige (J6D502)	
Gray (J6D503)	
Off White (J6D504)	
Bright White (J2D505)	

JOINT WIDTH		MOVEMENT ±			
		HORIZONTAL		VERTICAL	
US	mm	US	mm	US	mm
10"	254	5"	127	5"	127

FINISH: ALUM. FINISH - MILL

PROJECT:

CUSTOMER:

LOCATION:

APPLICATION-
FLUSH MOUNT WALL/WALL, CEILING/CEILING
EXTERIOR CONDITION

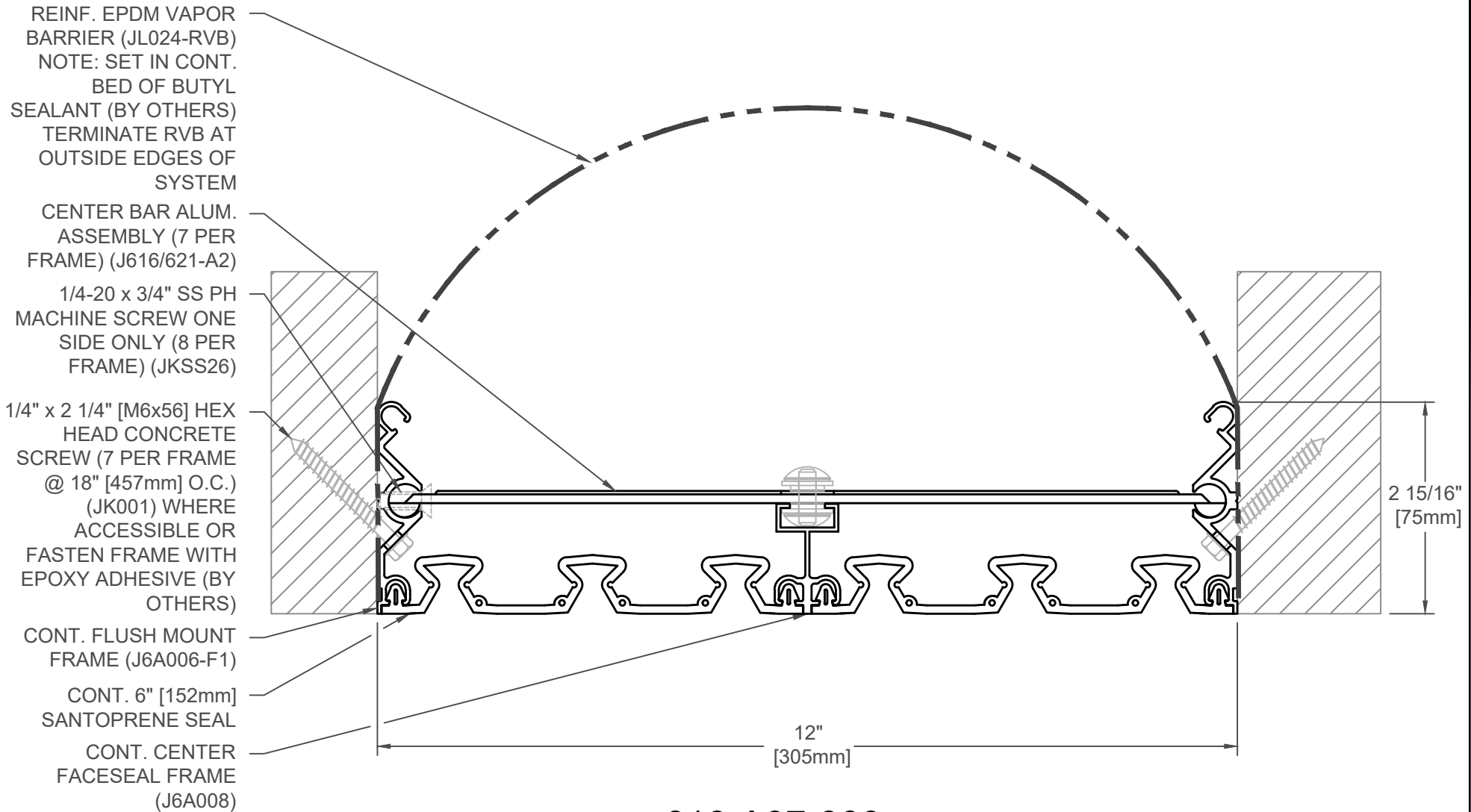
DATE: 11-15-07

SCALE: 1:2

DOC: CADJM.144/R3

inpro.

For More Information Visit: Inprocorp.com



616-A07-300

JOINT WIDTH		MOVEMENT ±			
		HORIZONTAL		VERTICAL	
US	mm	US	mm	US	mm
12"	305	6"	152	6"	152

SPECIFY SEAL COLOR:	
Black (J6D601)	
Beige (J6D602)	
Gray (J6D603)	
Off White (J6D604)	
Bright White (J2D605)	

FINISH: ALUM. FINISH - MILL

PROJECT:

CUSTOMER:

LOCATION:

APPLICATION-
FLUSH MOUNT WALL/WALL, CEILING/CEILING
EXTERIOR CONDITION

DATE: 11-15-07

SCALE: 1:2

DOC: CADJM.144/R3

inpro.

For More Information Visit: Inprocorp.com

REINF. EPDM VAPOR BARRIER (JL036-RVB)
 NOTE: SET IN CONT. BED OF BUTYL
 SEALANT (BY OTHERS) TERMINATE RVB
 AT OUTSIDE EDGES OF SYSTEM

CENTER BAR ALUM. ASSEMBLY
 (6 PER FRAME) (J616/621-A3)

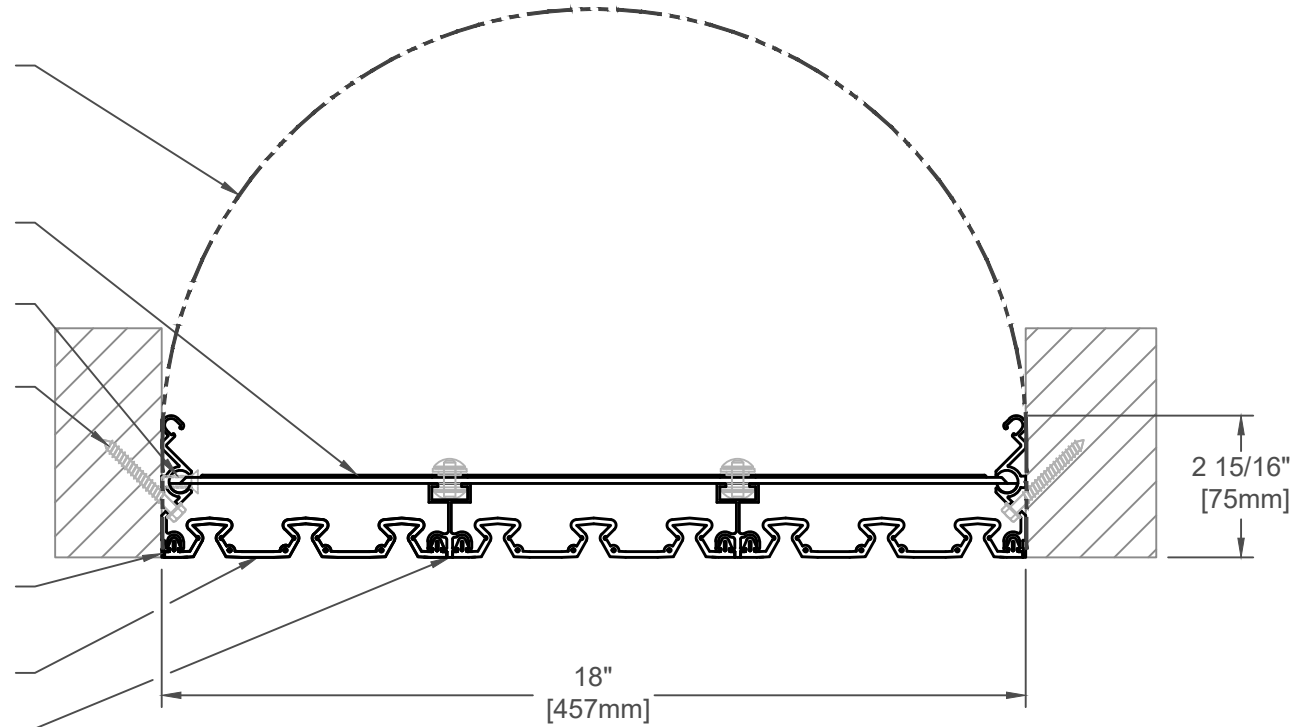
1/4-20 x 3/4" SS PH MACHINE SCREW ONE
 SIDE ONLY (7 PER FRAME) (JKSS26)

1/4" x 2 1/4" [M6x56] HEX HEAD
 CONCRETE SCREW (7 PER FRAME @
 18" [457mm] O.C.) (JK001) WHERE
 ACCESSIBLE OR FASTEN FRAME WITH
 EPOXY ADHESIVE (BY OTHERS)

CONT. FLUSH MOUNT FRAME
 (J6A006-F2)

CONT. 6" [152mm] SANTOPRENE SEAL

CONT. CENTER FACESEAL FRAME (J6A008)



616-A07-450

SPECIFY SEAL COLOR:	
Black (J6D601)	
Beige (J6D602)	
Gray (J6D603)	
Off White (J6D604)	
Bright White (J2D605)	

JOINT WIDTH		MOVEMENT ±			
		HORIZONTAL		VERTICAL	
US	mm	US	mm	US	mm
18"	457	9"	229	6"	152

FINISH: ALUM. FINISH - MILL

PROJECT:

CUSTOMER:

LOCATION:

APPLICATION-
 FLUSH MOUNT WALL/WALL, CEILING/CEILING
 EXTERIOR CONDITION

DATE: 11-15-07

SCALE: 1:4

DOC: CADJM.144/R3

inpro.

For More Information Visit: Inprocorp.com

REINF. EPDM VAPOR BARRIER (JL042-RVB) NOTE: SET IN CONT. BED OF BUTYL SEALANT (BY OTHERS) TERMINATE RVB AT OUTSIDE EDGES OF SYSTEM

CENTER BAR ALUM. ASSEMBLY (6 PER FRAME) (J616/621-A4)

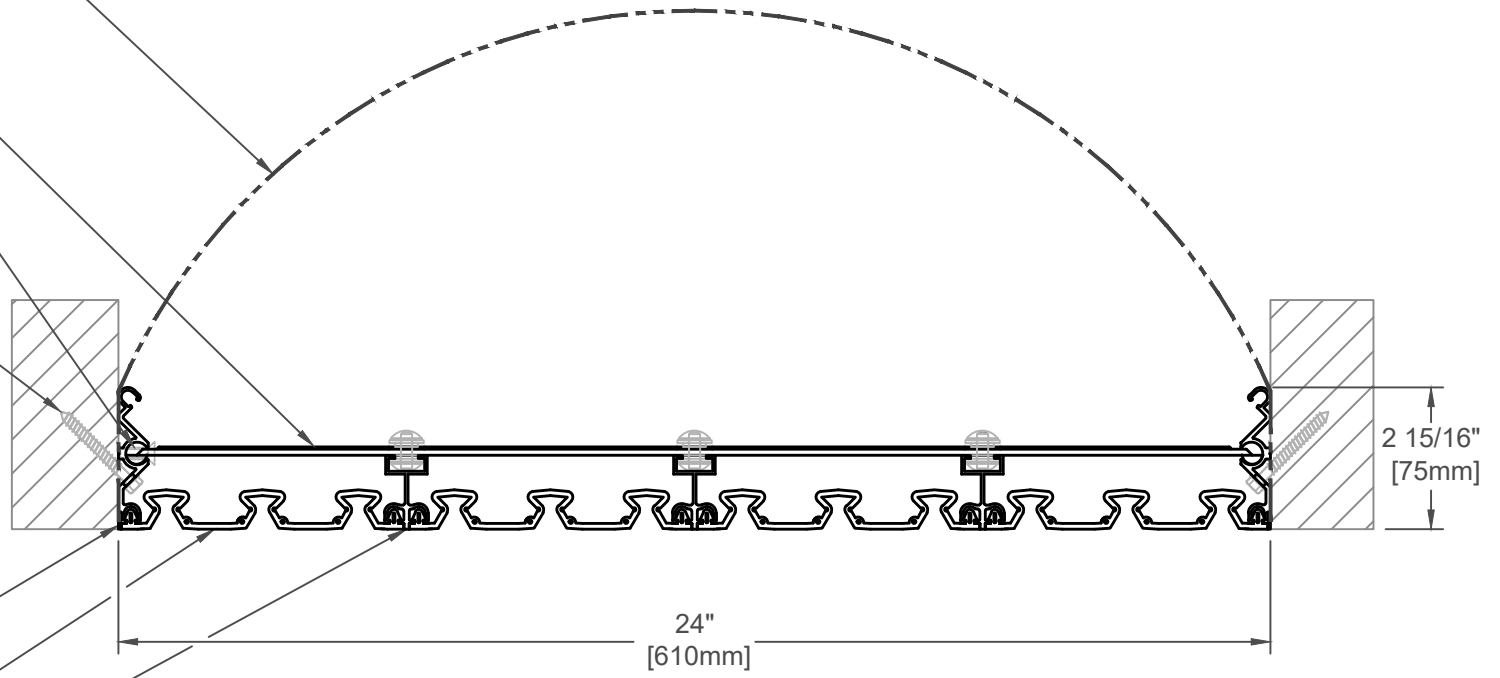
1/4-20 x 3/4" SS PH MACHINE SCREW ONE SIDE ONLY (8 PER FRAME) (JKSS26)

1/4" x 2 1/4" [M6x56] HEX HEAD CONCRETE SCREW (7 PER FRAME @ 18" [457mm] O.C.) (JK001) WHERE ACCESSIBLE OR FASTEN FRAME WITH EPOXY ADHESIVE (BY OTHERS)

CONT. FLUSH MOUNT FRAME (J6A006-F3)

CONT. 6" [152mm] SANTOPRENE SEAL

CONT. CENTER FACESEAL FRAME (J6A008)



616-A07-600

SPECIFY SEAL COLOR:	
Black (J6D601)	
Beige (J6D602)	
Gray (J6D603)	
Off White (J6D604)	
Bright White (J2D605)	

JOINT WIDTH		MOVEMENT ±			
		HORIZONTAL		VERTICAL	
US	mm	US	mm	US	mm
24"	610	12"	305	12"	305

FINISH: ALUM. FINISH - MILL

PROJECT:

CUSTOMER:

LOCATION:

APPLICATION-
FLUSH MOUNT WALL/WALL, CEILING/CEILING
EXTERIOR CONDITION

DATE: 11-15-07

SCALE: 1:4

DOC: CADJM.144/R3



For More Information Visit: Inprocorp.com