

Installation Instructions

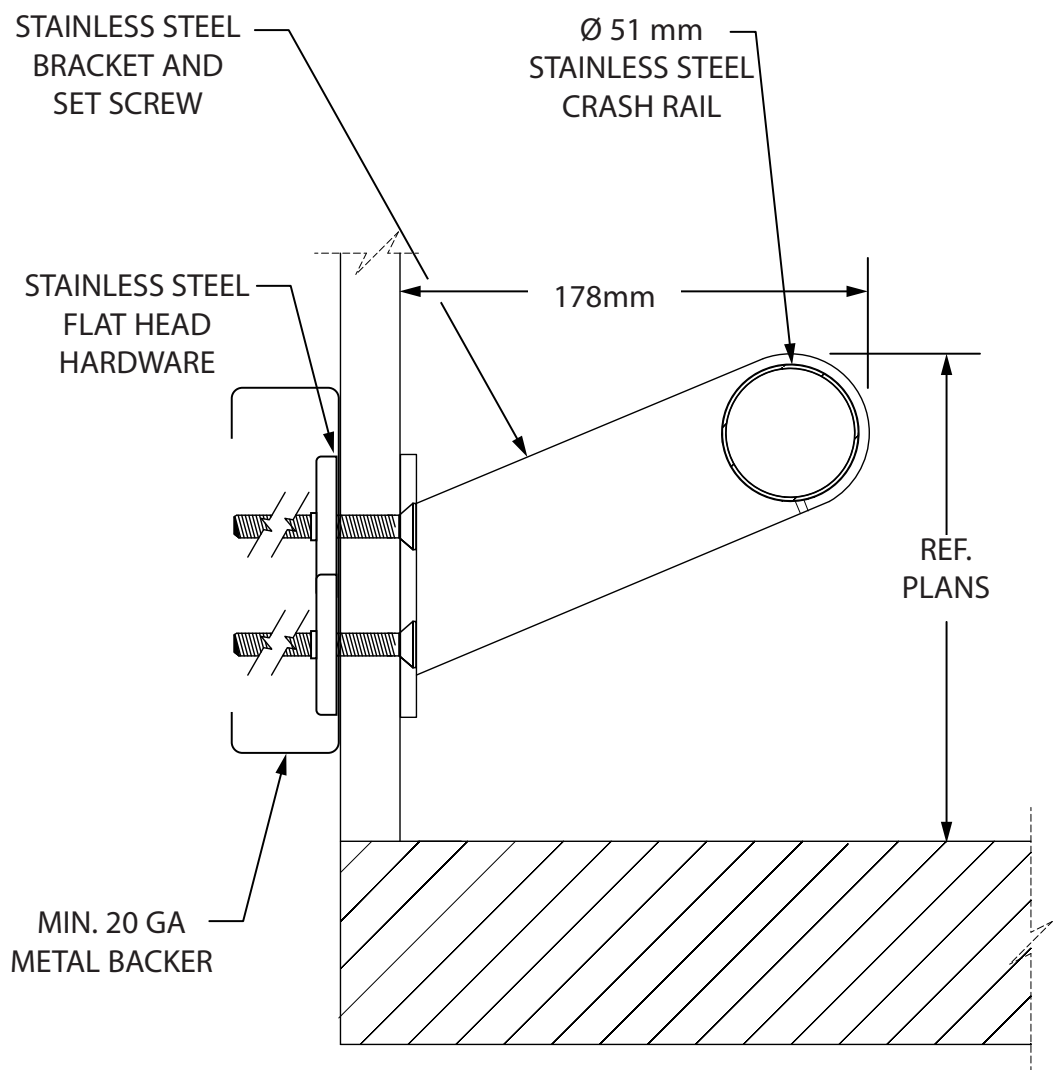
62SS Crash Rail - Wall Mounted

Important

1. Acclimate materials 24 hrs. before installation. Maintain temperature controlled environment after installation.
2. Install in accordance with manufacturer's installation instructions. Failure to do so will void the warranty.

Installation Tips

1. Use a carbide toothed compound miter saw blade when cutting stainless rail components.
2. Lubricate blades when cutting to reduce burrs.
3. Clean all cuts using a file or de-burring tool.
4. Reference last page for adhering corner pieces and splicing components.



IPC.3204/REV.1

IPC® Door + Wall Protection

inpro.com • 800.222.5556 • 262.679.9010

World Headquarters S80 W18766 Apollo Drive, Muskego, WI 53150 USA

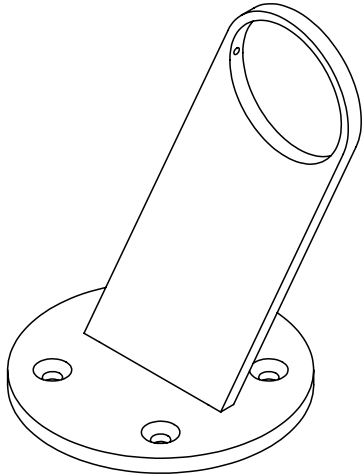
Installation Hotline: 866.394.6776

inpro®

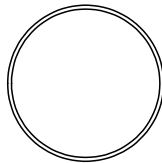
Installation Instructions

62SS Crash Rail - Wall Mounted

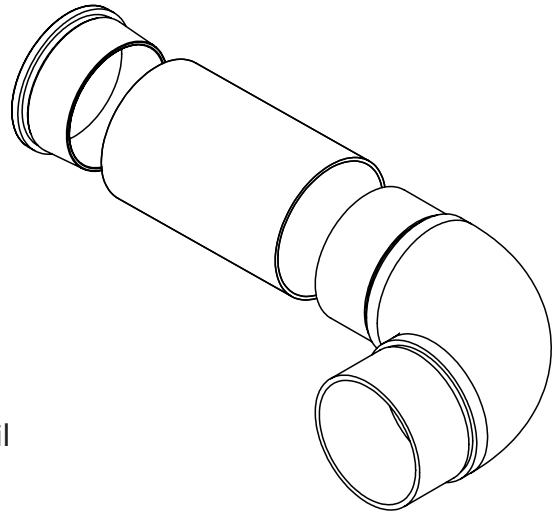
Components and Fasteners



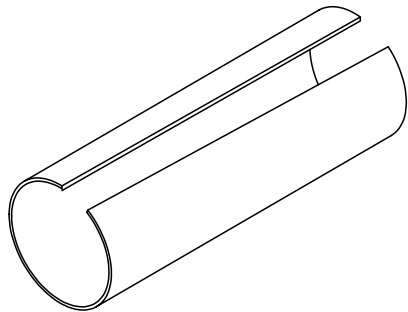
AE62SSBK
Stainless Steel Bracket



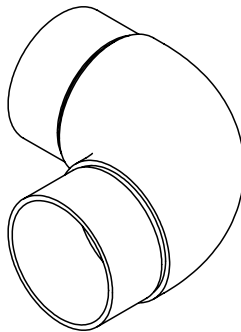
AE62SS
Stainless Steel Rail
(3 meter length)



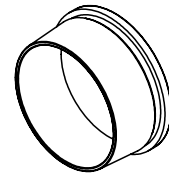
AE62SS-WMRET
Three Part Return
(Assembled In Field)



AE62SS-SPL
Stainless Steel Splice



AE62SS-ICOC
Stainless Steel
Inside/Outside
Corner



AE62SS-SSEC
Stainless Steel End Cap

Substrate	Specified Fasteners	Inpro Part#
Concrete/Concrete Block	1/4" x 1 3/4" Stainless Steel Phillips Flat Head Concrete Screw Anchor	HWK-62SS-C
Dry Wall / Gypsum With Metal Backer	1/4"-20 x 3 1/2" Stainless Steel Phillips Flat Head Screw and 1/4" Plastic Hilti Toggle Anchor	HWK-62SS-D
Gypsum With Wood Stud Backer	#14 x 3 1/2" Stainless Steel Flat Head Wood Screw Anchor	HWK-62SS-W

IPC® Door + Wall Protection

inpro.com • 800.222.5556 • 262.679.9010

World Headquarters S80 W18766 Apollo Drive, Muskego, WI 53150 USA

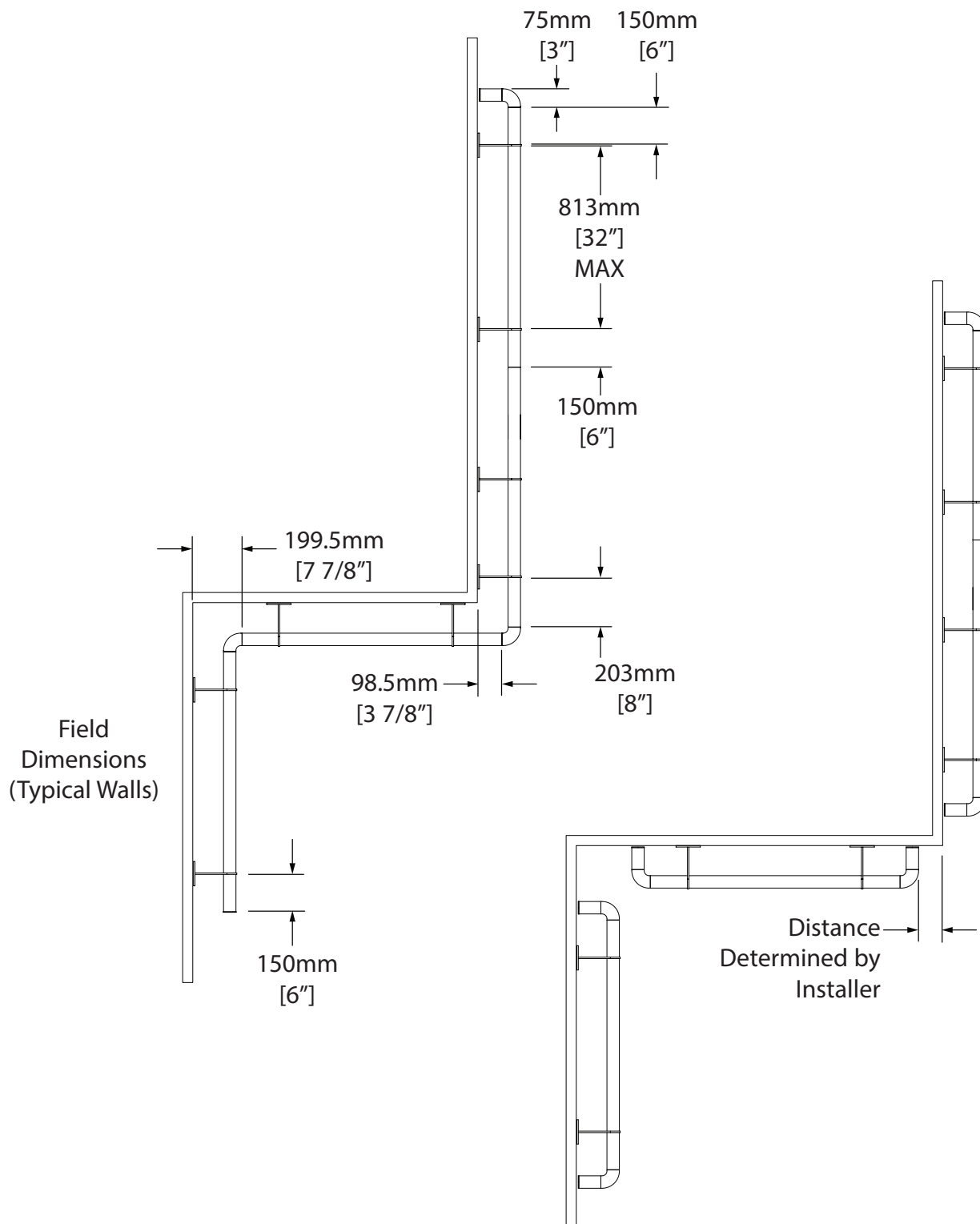
Installation Hotline: 866.394.6776

inpro®

Installation Instructions

62SS Crash Rail - Wall Mounted

Layout Views



IPC® Door + Wall Protection

inpro.com • 800.222.5556 • 262.679.9010

World Headquarters S80 W18766 Apollo Drive, Muskego, WI 53150 USA

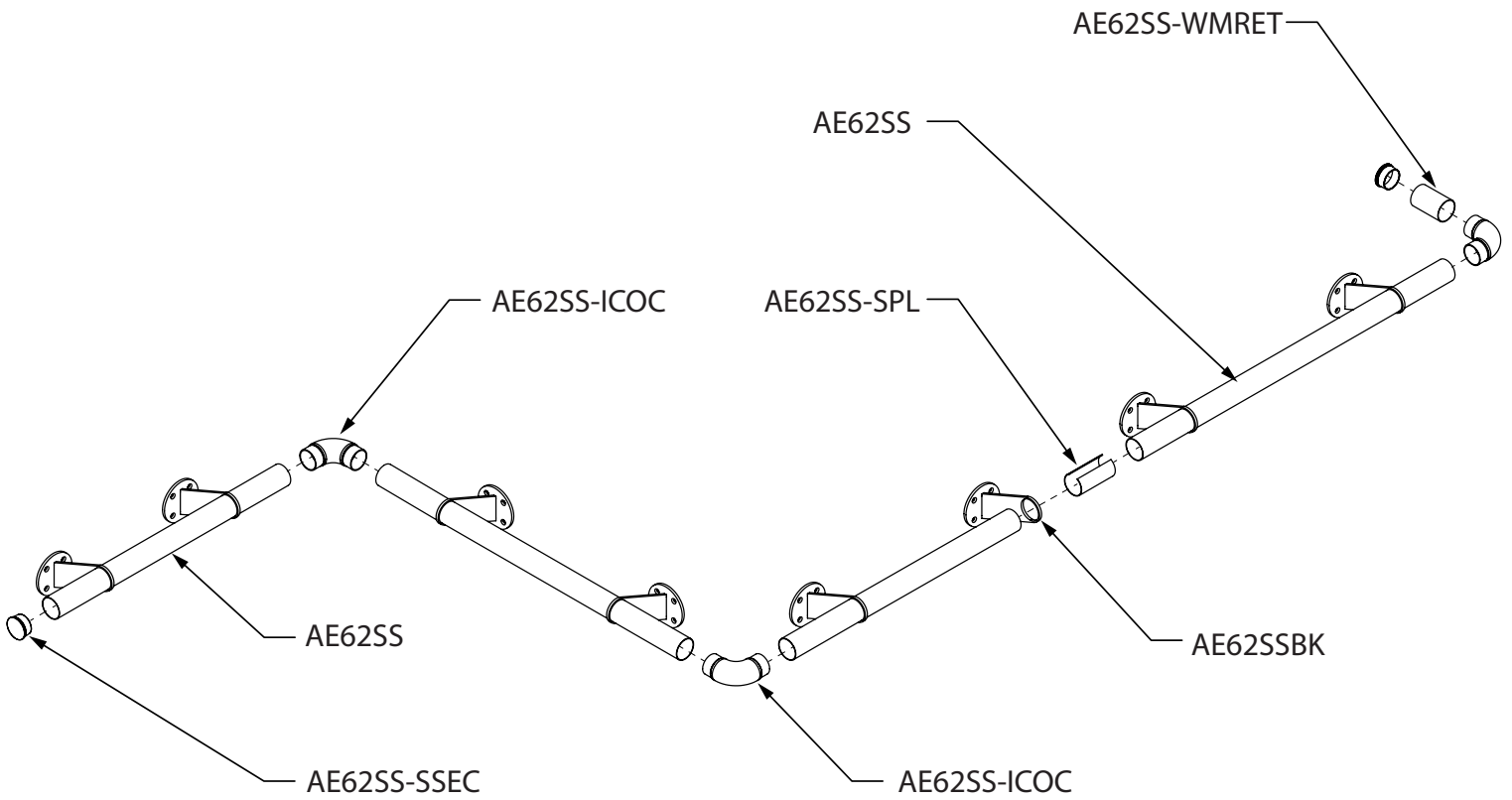
Installation Hotline: 866.394.6776

inpro®

Installation Instructions

62SS Crash Rail - Wall Mounted

Exploded Assembly



IPC® Door + Wall Protection

inpro.com • 800.222.5556 • 262.679.9010

World Headquarters S80 W18766 Apollo Drive, Muskego, WI 53150 USA

Installation Hotline: 866.394.6776

inpro®

Installation Instructions

62SS Crash Rail - Wall Mounted

Please read all instructions before installing the crash rail.

Material must be stored, installed and used in environmentally controlled conditions.

1. Before installation dry fit first section of rail. If the continuous run includes a corner condition, begin installation at a corner.

NOTE: If installation includes both inside and outside corners, always begin at inside corner first.

2. Determine the desired height from the floor. Dry fit a portion of the assembly together (See last page for assembly of connections). Position brackets on the wall ensuring rail is parallel with the floor and use the pre-drilled holes on the bracket to mark anchor locations on the wall.

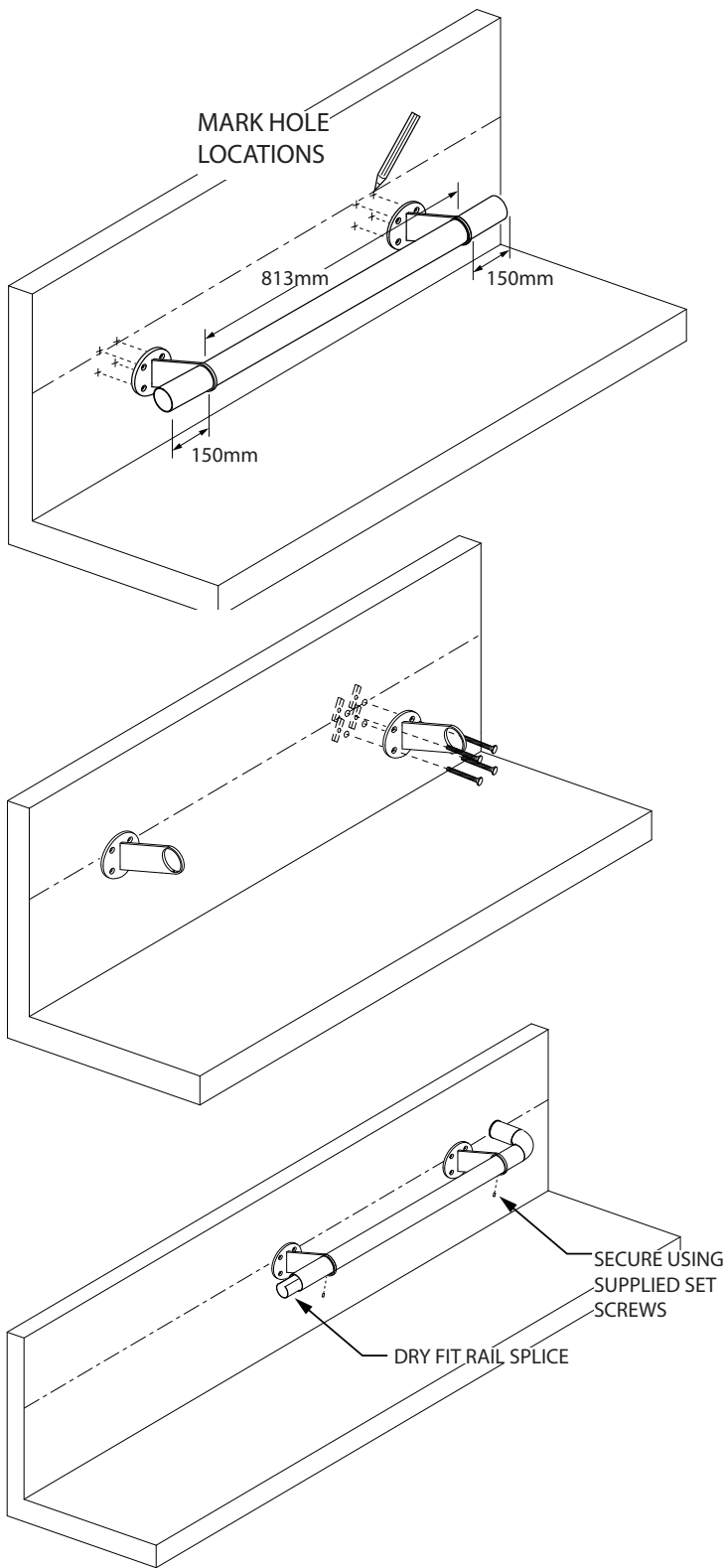
3. Remove assembly from wall and drill marked anchor locations for the first section of rail using a 12mm (1/2") drill bit for toggle bolts (Dry wall with Metal Backer) or 4.5mm (3/16) for wood/concrete screw anchors.

CRITICAL: If Installing into concrete or a Wood Backer: Drive screw anchors into substrate until bracket is held firmly to wall. Do not over tighten anchors.

4. Return first set of brackets to location and secure brackets firmly to the wall

5. After installing first set of brackets, install the first length of rail by carefully sliding rail into circular openings on each bracket. (Depending on location, the first rail will either have a return or corner piece.)

6. Dry fit a splice into the end of the rail to assist locating the next length of rail.



IPC® Door + Wall Protection

inpro.com • 800.222.5556 • 262.679.9010

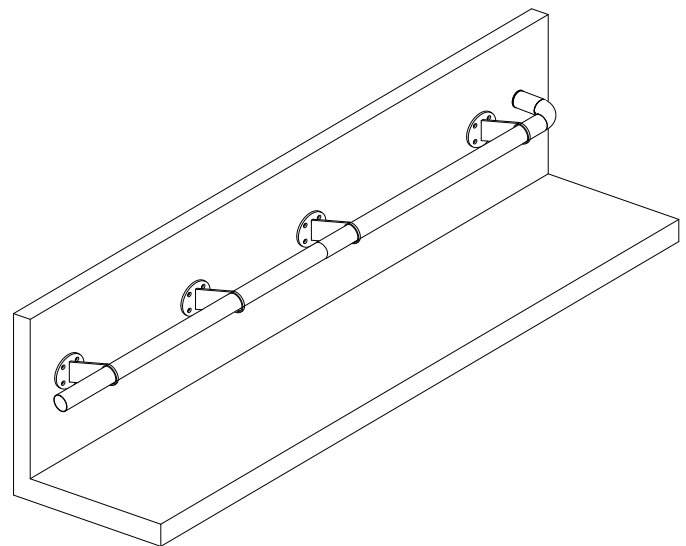
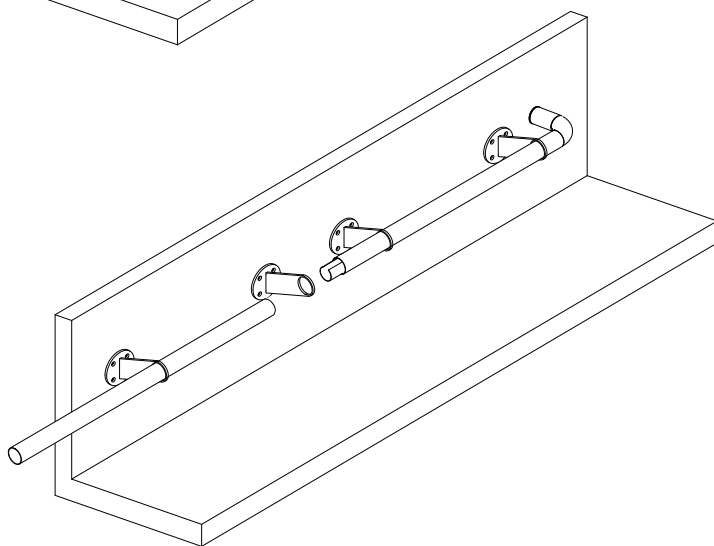
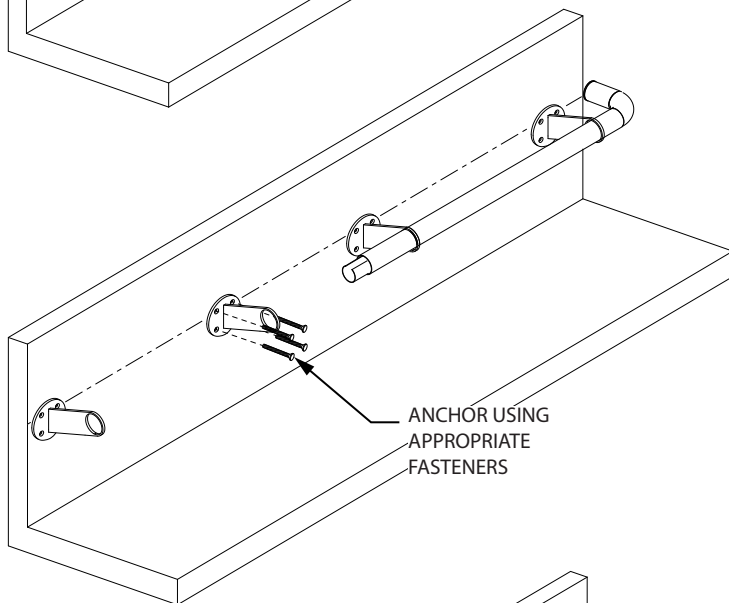
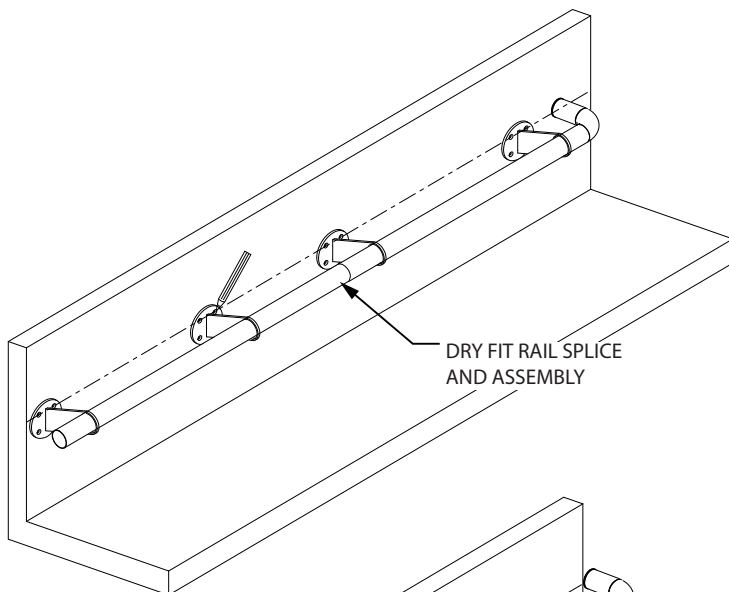
World Headquarters S80 W18766 Apollo Drive, Muskego, WI 53150 USA

Installation Hotline: 866.394.6776

inpro®

Installation Instructions

62SS Crash Rail - Wall Mounted



7. Dry assemble the next run length of rail, and mark each hole locations on the wall.

8. Remove assembly from wall. Drill out marked hole locations, and anchor brackets to wall.

9. After securing brackets, slide rail into brackets. Apply an epoxy bead to the inside wall, 25mm from the end of the rail. Repeat step on intersecting rail and insert splice piece. Holding splice in the middle, pinch the splice together, and slide the adjoining rails over, until the rail end touch.

10. Secure rail in place using set screw and continue installation repeating steps 2 through 9.

IPC® Door + Wall Protection

inpro.com • 800.222.5556 • 262.679.9010

World Headquarters S80 W18766 Apollo Drive, Muskego, WI 53150 USA

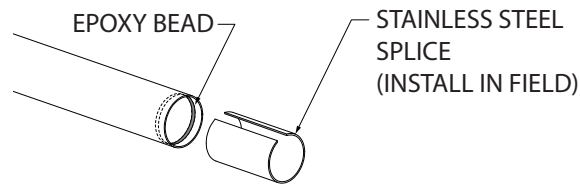
Installation Hotline: 866.394.6776

inpro®

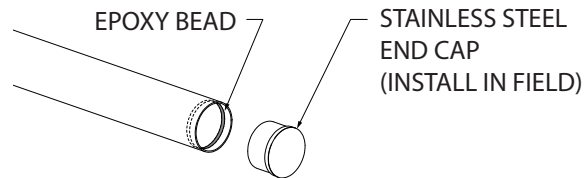
Installation Instructions

62SS Crash Rail - Wall Mounted

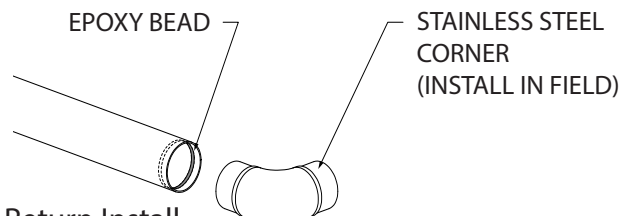
Splice Install



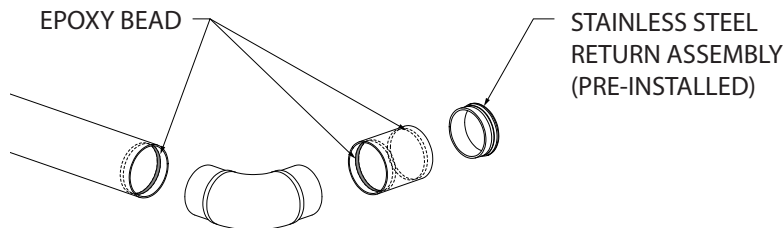
End Cap Install



Corner Install



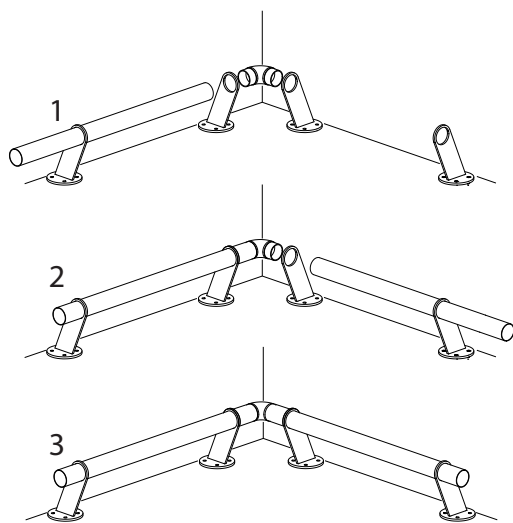
Return Install



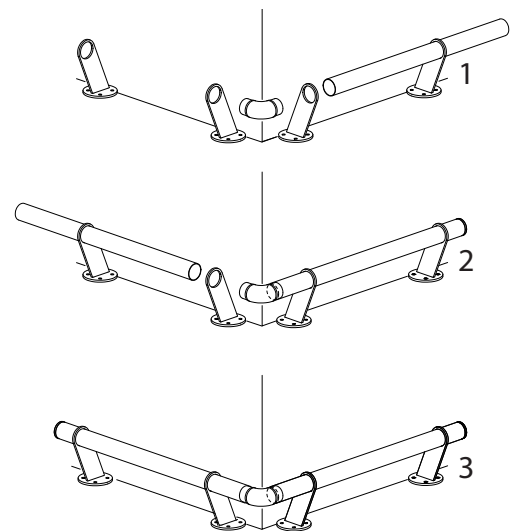
Splicing/Transition Instructions

1. Assemble glue gun, cartridge, and tips per the manufactures instructions.
 2. Apply a 5mm bead of epoxy to the inside wall of the stainless steel rail.
 3. Insert corner, splice, or end cap. Use a clean rag and denatured alcohol to clean up any epoxy on the outside of the rail.
- NOTE: For corners only pre-adhere one straight rail to each, adhere next straight rail in-field.
4. For returns, pre-glue all components together before installing rail. Allow components to cure for 5 hours.

Inside Corner Assembly



Outside Corner Assembly



IPC® Door + Wall Protection

inpro.com • 800.222.5556 • 262.679.9010

World Headquarters S80 W18766 Apollo Drive, Muskego, WI 53150 USA

Installation Hotline: 866.394.6776

inpro®