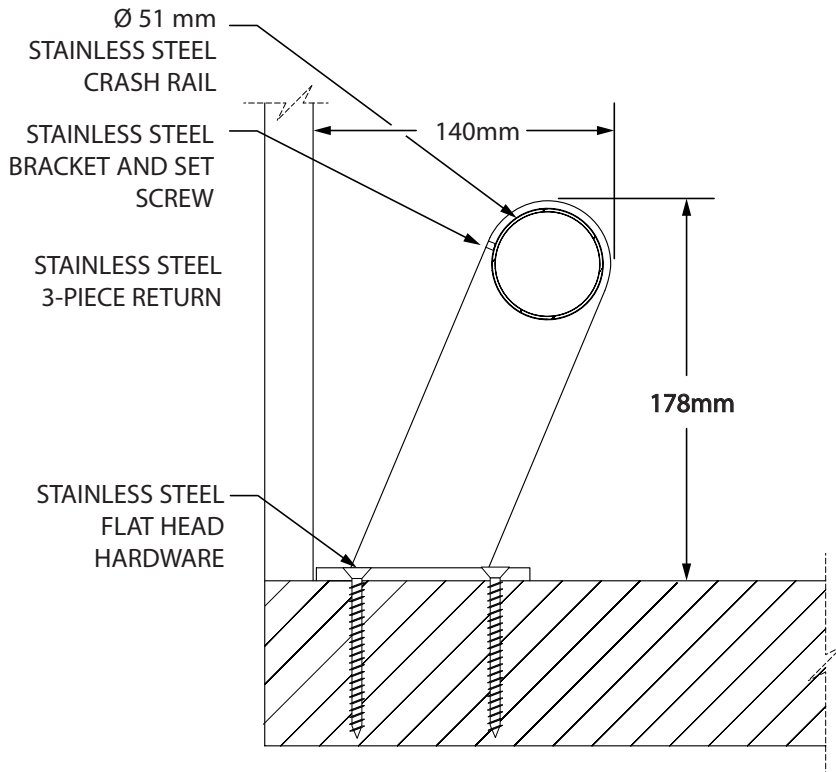


62SS Low Level Stainless Steel Crash Rail



- 51 mm wide tube offers superior impact resistance.
- 178 mm height off finished floor stops most common heavy trolleys / pallet trucks .
- System extends 1.5mm from wall finish
- Ideal for protecting glass curtain walls, decorative wall finishes, and sales displays.
- All components are standard Type 304, stainless steel in a No. 4 satin finish.
- Supplied in stock 3m lengths.
- All mounting fasteners are stainless steel and included with each order.
- Floor and wall mounting options available.

IPC.3202/REV.1

62SS Low Level Stainless Steel Crash Rail

Suggested Specifications

PART 1 - GENERAL

1.01 SUMMARY

A. Stainless Steel Wall Guard system for wall protection

1.02 SECTION INCLUDES

A. 62SS Stainless Steel Wall Guard Systems

1.04 SUBMITTALS

- A. Product data for each type of wall guard specified.
- B. Detail drawings indicating mounting details with the appropriate fasteners for specific project substrates.
- C. Samples for verification purposes of wall guard, 15" (381 mm) long, in full size profiles of each type indicated.
- D. Cleaning and maintenance instructions for door and wall protection systems.

1.03 REFERENCES

- A. American Society for Testing and Materials (ASTM)
- B. National Fire Protection Association (NFPA)

1.04 SYSTEM DESCRIPTION

- A. Performance Requirements: Provide metal handrail systems that conform to the following requirements of regulatory agencies and the quality control of IPC Door and Wall Protection Systems, Inpro Corporation.
- 1. Fire Performance Characteristics: Provide metal handrail components conforming with NFPA Class A fire rating. Surface burning characteristics, as determined by ASTM E-84, shall be flame spread of 0 and smoke development of 0.
- 2. System Impact Resistance: Provide a crash rail system that resists an impact of 550 lbsf while producing no visual blemishes upon the rail's surface and no deformations in the stainless steel retainers.

1.05 SUBMITTALS

- A. Product Data: Manufacturer's printed product data for each product indicated in this section.
- B. Detail Drawings: Mounting details with appropriate fasteners for specific project substrates.
- C. Samples: Verification samples of handrail, 15" (381 mm) long, in full size profiles with mounting brackets of each type indicated.
- D. Manufacturer's Installation Instructions: Printed installation instructions for each crash rail.

1.06 DELIVERY, STORAGE AND HANDLING

- A. Deliver materials in unopened factory packaging to the jobsite.
- B. Inspect materials at delivery to assure that specified products have been received.

C. Store in original packaging in a climate controlled environment away from direct sunlight.

1.07 WARRANTY

A. Standard IPC limited lifetime warranty against material and manufacturing defects.

PART 2 - PRODUCTS

2.01 MANUFACTURER

A. Acceptable Manufacturer: Inpro Corporation, PO Box 406 Muskego, WI 53150 USA; Telephone: 800.222.5556, Fax: 888.715.8407, www.inprocorp.com

B. Substitutions: Not permitted

C. Provide all wall guards and wall protection from a single source.

2.02 MANUFACTURED UNITS

A. Wall Guards

1. Stainless Steel Wall Guard
Model Size
62SS, 178mm h x 140mm deep,
Fabricated in field by installer

2.03 MATERIALS

A. Stainless Steel: Wall Guard shall be manufactured from type 304 Stainless Steel.

2.04 COMPONENTS

- A. Crash rail returns, outside corners and inside corners shall be stainless steel and a finish to match crash rails.
- B. Stainless steel brackets shall be fabricated from fabricated stainless steel with a brushed finish.
- C. Fasteners: All mounting systems accessories appropriate for substrates indicated on the drawings shall be provided.

2.05 FINISHES

- A. Crashrail: Stainless steel rail of 304 alloy with a # 4 satin finish.
- B. Stainless steel brackets shall have a #4 brushed finish.

PART 3 - EXECUTION

3.01 EXAMINATION

- A. Examine areas and conditions in which the wall guard systems will be installed.
- 1. Complete all finishing operations, including painting, before beginning installation of wall guards.
- B. Wall and floor surface shall be dry and free from dirt, grease and loose paint.

3.02 PREPARATION

A. General: Prior to installation, clean substrate to remove dust, debris and loose particles.

3.03 INSTALLATION

- A. Floor Mounted Option: Locate the crash rail as indicated on the approved detail drawing for the appropriate substrate and in compliance with the IPC installation instructions. Install crash rail parallel and at the appropriate distance from wall surface.
- B. Wall Mounted Option: Locate the handrail as indicated on the approved detail drawing for the appropriate substrate and in compliance with the IPC installation instructions. Install handrail level and plumb at the height indicated on the drawings.

3.04 CLEANING

A. At completion of the installation, clean surfaces in accordance with the IPC clean up and maintenance instructions