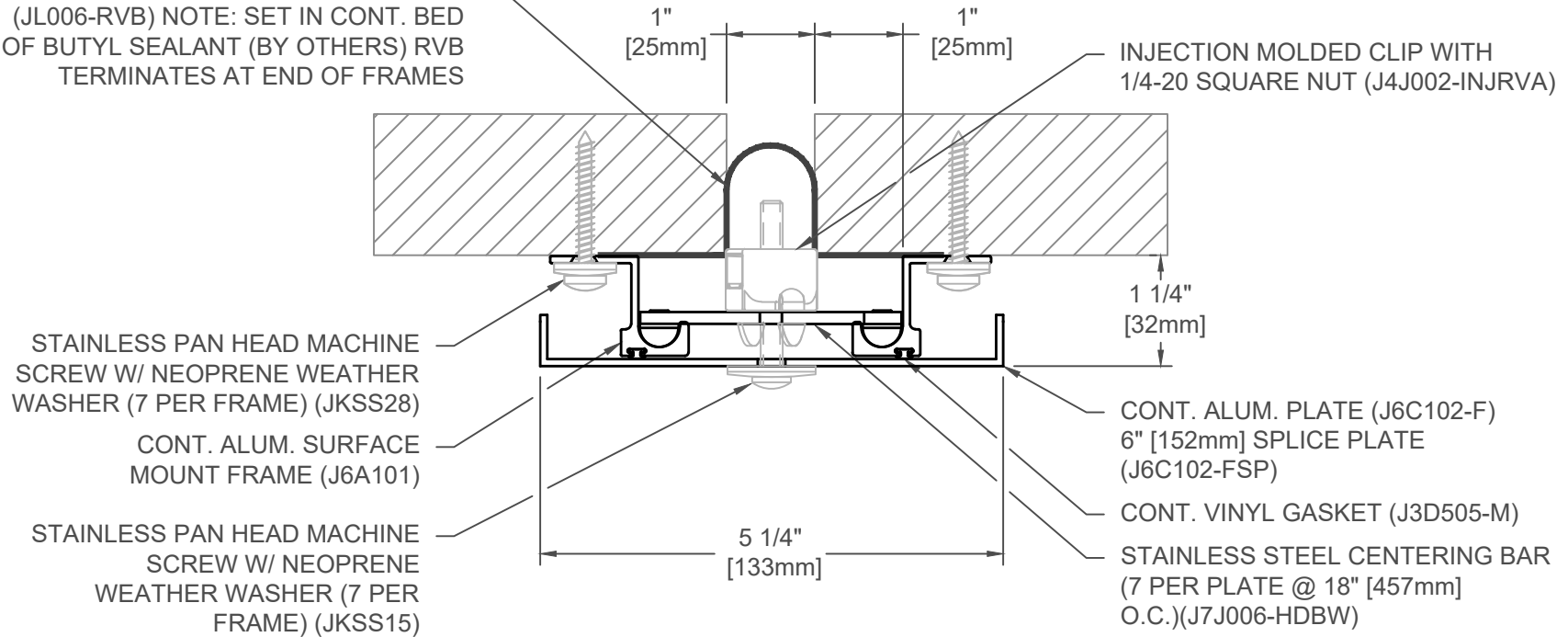


REINF. EPDM VAPOR BARRIER (JL006-RVB) NOTE: SET IN CONT. BED OF BUTYL SEALANT (BY OTHERS) RVB TERMINATES AT END OF FRAMES



651-A07-025

| JOINT WIDTH | | MOVEMENT ± | | | |
|-------------|----|------------|----|----------|----|
| | | HORIZONTAL | | VERTICAL | |
| US | mm | US | mm | US | mm |
| 1" | 25 | 1/2" | 13 | 1/2" | 13 |

| |
|--------------|
| FINISH: MILL |
| PROJECT: |
| CUSTOMER: |
| LOCATION: |

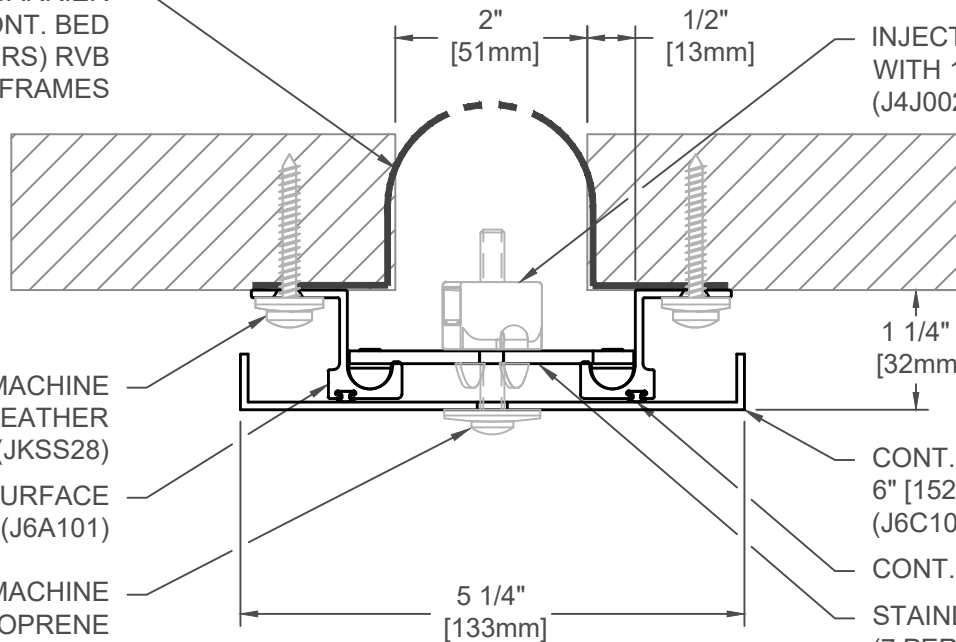
APPLICATION-
SURFACE MOUNT WALL/WALL, CEILING/CEILING
EXTERIOR CONDITION

| | |
|--------|--------------|
| DATE: | 4-30-05 |
| SCALE: | 1:2 |
| DOC: | CADJM.001/R5 |

inpro.

For More Information Visit: Inprocorp.com

REINF. EPDM VAPOR BARRIER (JL009-RVB) NOTE: SET IN CONT. BED OF BUTYL SEALANT (BY OTHERS) RVB TERMINATES AT END OF FRAMES



INJECTION MOLDED CLIP WITH 1/4-20 SQUARE NUT (J4J002-INJRVA)

STAINLESS PAN HEAD MACHINE SCREW W/ NEOPRENE WEATHER WASHER (7 PER FRAME) (JKSS28)

CONT. ALUM. SURFACE MOUNT FRAME (J6A101)

STAINLESS PAN HEAD MACHINE SCREW W/ NEOPRENE WEATHER WASHER (7 PER FRAME) (JKSS15)

CONT. ALUM. PLATE (J6C102-F) 6" [152mm] SPLICE PLATE (J6C102-FSP)

CONT. VINYL GASKET (J3D505-M)

STAINLESS STEEL CENTERING BAR (7 PER PLATE @ 18" [457mm] O.C.)(J7J006-HDBW)

651-A07-050

| JOINT WIDTH | | MOVEMENT ± | | | |
|-------------|----|------------|----|----------|----|
| | | HORIZONTAL | | VERTICAL | |
| US | mm | US | mm | US | mm |
| 2" | 51 | 1" | 25 | 1" | 25 |

| |
|--------------|
| FINISH: MILL |
| PROJECT: |
| CUSTOMER: |
| LOCATION: |

APPLICATION-
SURFACE MOUNT WALL/WALL, CEILING/CEILING
EXTERIOR CONDITION

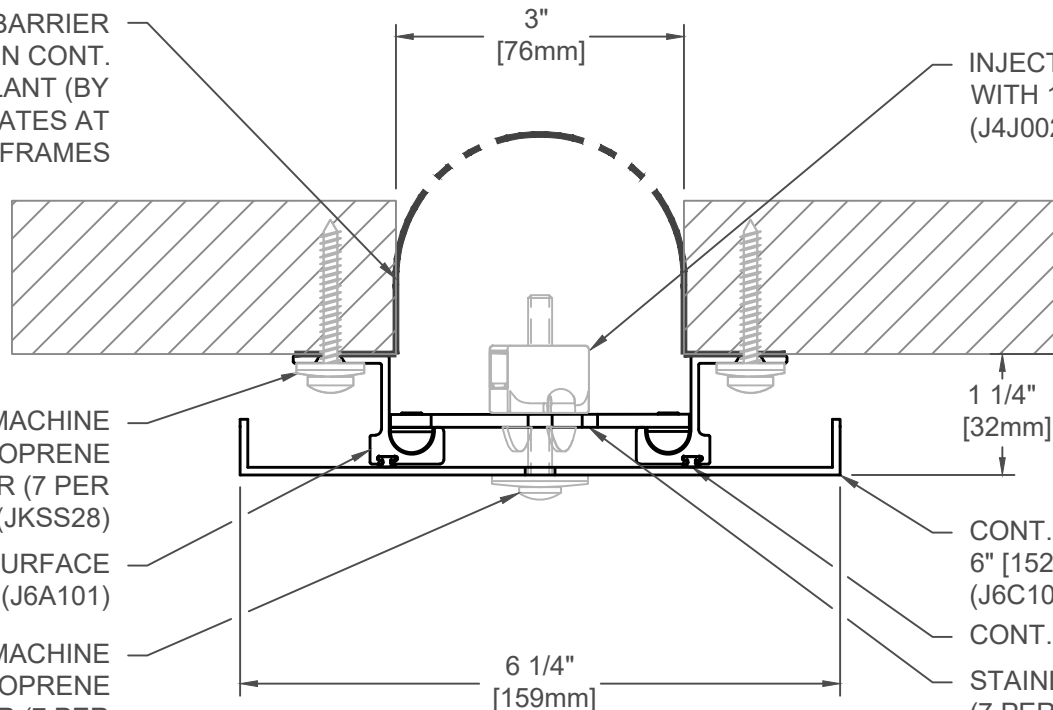
| | |
|--------|--------------|
| DATE: | 4-30-05 |
| SCALE: | 1:2 |
| DOC: | CADJM.001/R5 |



For More Information Visit: Inprocorp.com

REINF. EPDM VAPOR BARRIER (JL009-RVB) NOTE: SET IN CONT. BED OF BUTYL SEALANT (BY OTHERS) RVB TERMINATES AT END OF FRAMES

INJECTION MOLDED CLIP WITH 1/4-20 SQUARE NUT (J4J002-INJRVA)



STAINLESS PAN HEAD MACHINE SCREW W/ NEOPRENE WEATHER WASHER (7 PER FRAME) (JKSS28)

CONT. ALUM. SURFACE MOUNT FRAME (J6A101)

STAINLESS PAN HEAD MACHINE SCREW W/ NEOPRENE WEATHER WASHER (7 PER FRAME) (JKSS15)

1 1/4" [32mm]

CONT. ALUM. PLATE (J6C103-F) 6" [152mm] SPLICE PLATE (J6C103-FSP)

CONT. VINYL GASKET (J3D505-M)

STAINLESS STEEL CENTERING BAR (7 PER PLATE @ 18" [457mm] O.C.)(J7J006-HDBW)

651-A07-075

| JOINT WIDTH | | MOVEMENT ± | | | |
|-------------|----|------------|----|----------|----|
| | | HORIZONTAL | | VERTICAL | |
| US | mm | US | mm | US | mm |
| 3" | 76 | 1-1/2" | 38 | 1-1/2" | 38 |

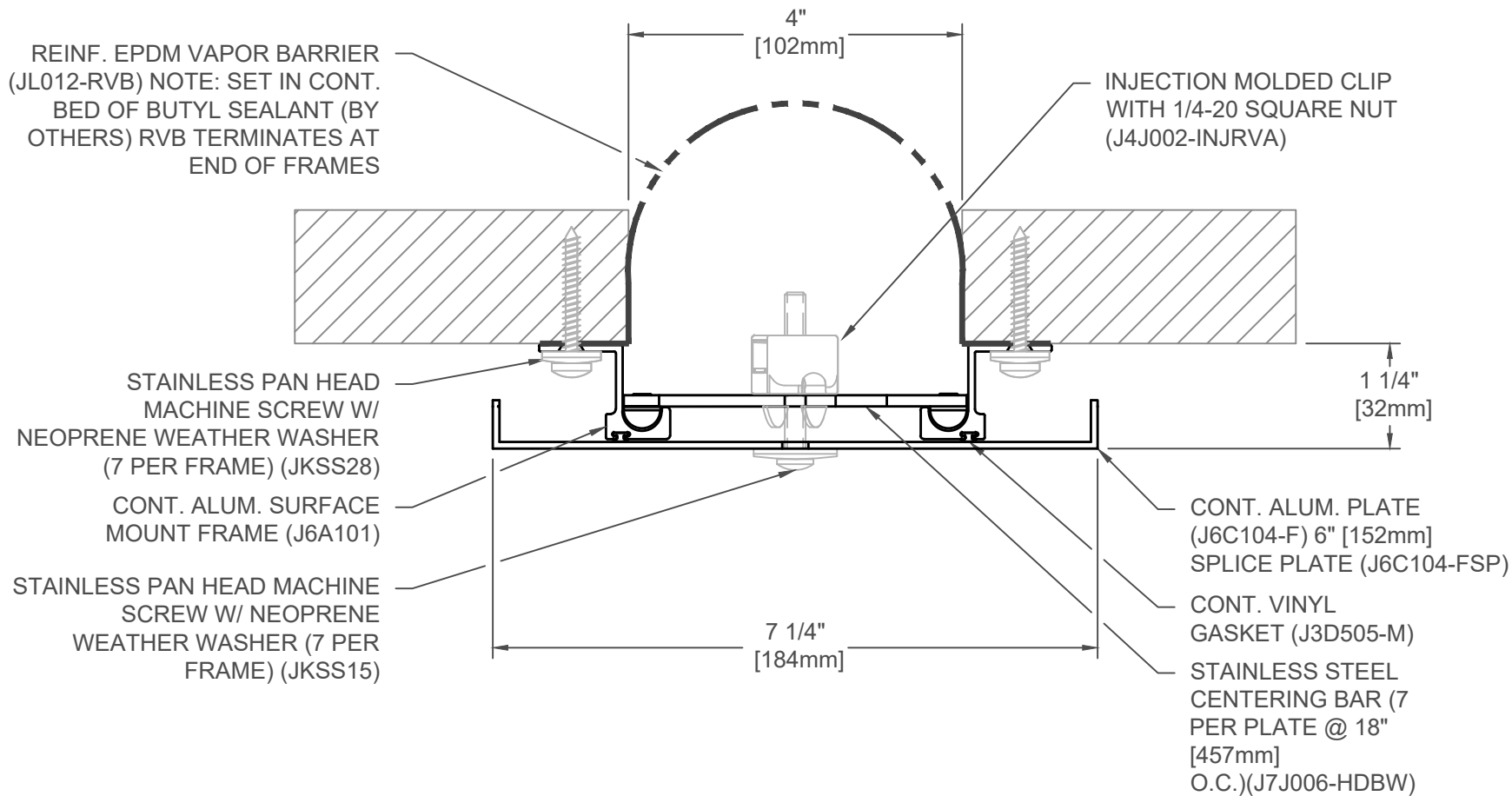
| |
|--------------|
| FINISH: MILL |
| PROJECT: |
| CUSTOMER: |
| LOCATION: |

APPLICATION-
SURFACE MOUNT WALL/WALL, CEILING/CEILING
EXTERIOR CONDITION

| | |
|--------|--------------|
| DATE: | 4-30-05 |
| SCALE: | 1:2 |
| DOC: | CADJM.001/R5 |

inpro.

For More Information Visit: Inprocorp.com



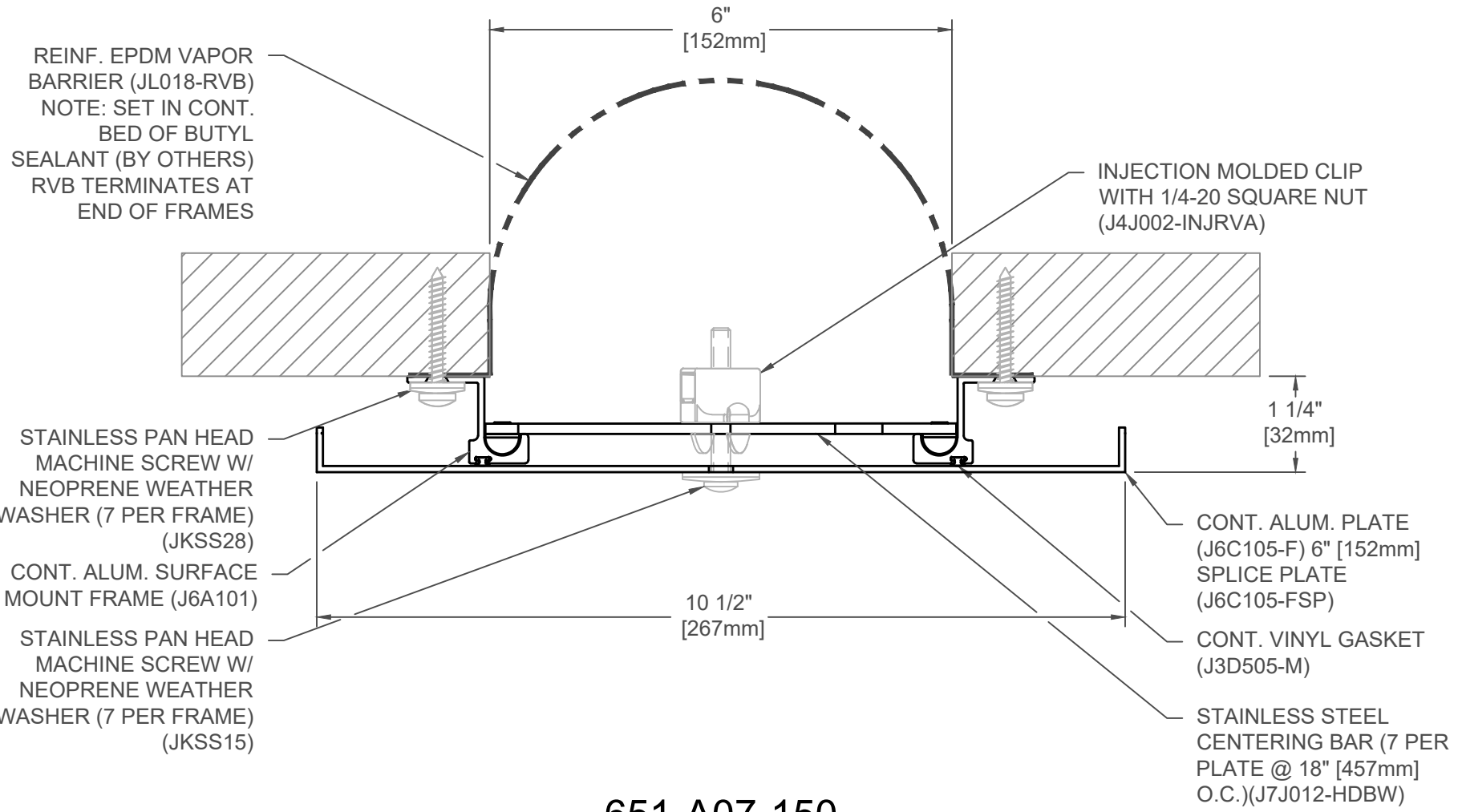
651-A07-100

| JOINT WIDTH | | MOVEMENT ± | | | |
|-------------|-----|------------|----|----------|----|
| | | HORIZONTAL | | VERTICAL | |
| US | mm | US | mm | US | mm |
| 4" | 102 | 2" | 51 | 2" | 51 |

| |
|--------------|
| FINISH: MILL |
| PROJECT: |
| CUSTOMER: |
| LOCATION: |

APPLICATION-
SURFACE MOUNT WALL/WALL, CEILING/CEILING
EXTERIOR CONDITION

| | |
|--------|--------------|
| DATE: | 4-30-05 |
| SCALE: | 1:2 |
| DOC: | CADJM.001/R5 |



651-A07-150

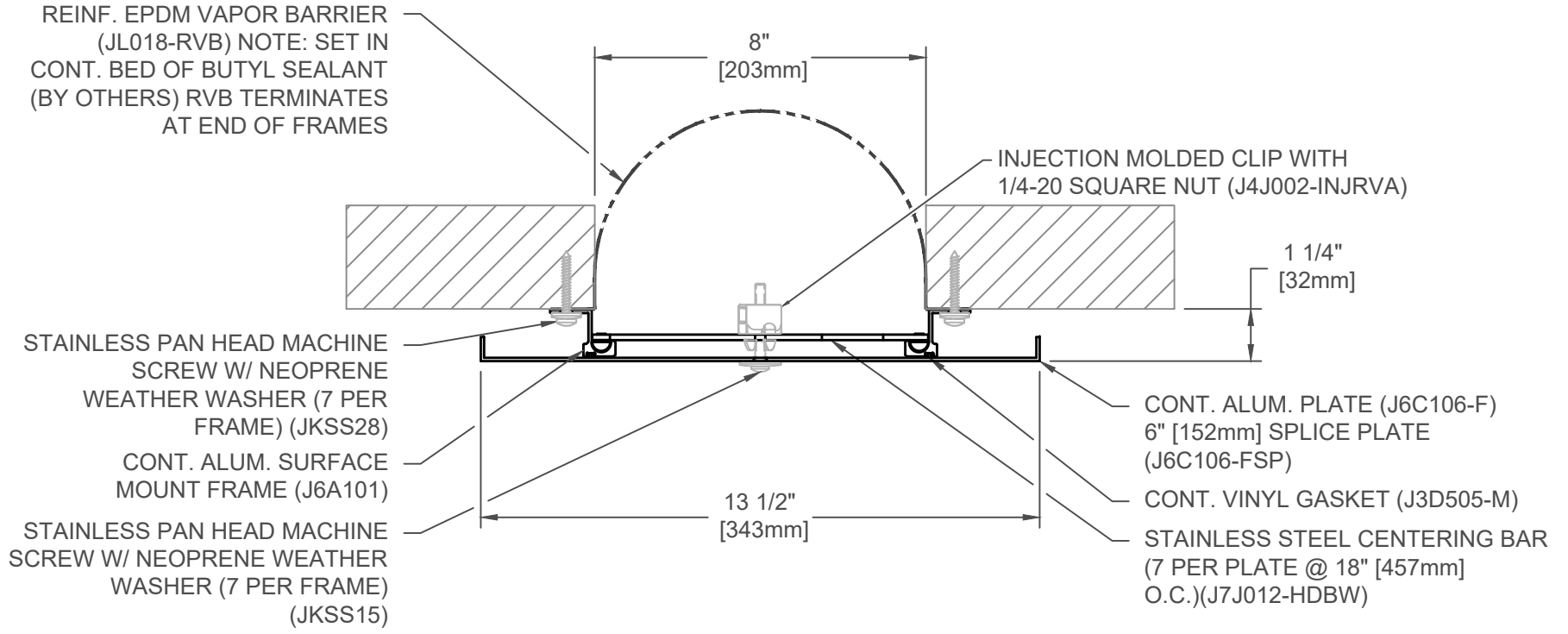
| JOINT WIDTH | | MOVEMENT ± | | | |
|-------------|-----|------------|----|----------|----|
| | | HORIZONTAL | | VERTICAL | |
| US | mm | US | mm | US | mm |
| 6" | 152 | 3" | 76 | 3" | 76 |

| |
|--------------|
| FINISH: MILL |
| PROJECT: |
| CUSTOMER: |
| LOCATION: |

APPLICATION-
SURFACE MOUNT WALL/WALL, CEILING/CEILING
EXTERIOR CONDITION

| | |
|--------|--------------|
| DATE: | 4-30-05 |
| SCALE: | 1:2 |
| DOC: | CADJM.001/R5 |

inpro.
For More Information Visit: Inprocorp.com



651-A07-200

| JOINT WIDTH | | MOVEMENT ± | | | |
|-------------|-----|------------|-----|----------|-----|
| | | HORIZONTAL | | VERTICAL | |
| US | mm | US | mm | US | mm |
| 8" | 203 | 4" | 102 | 4" | 102 |

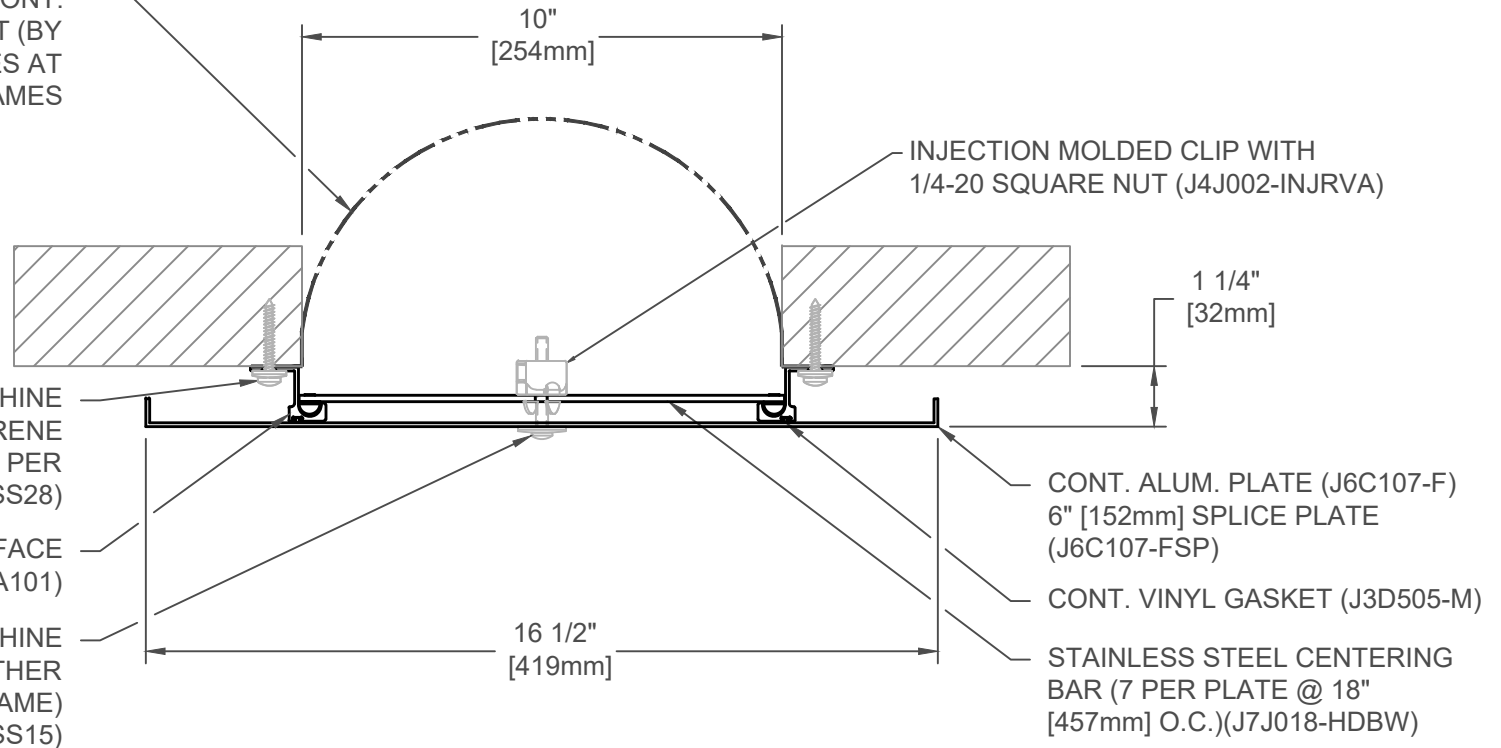
| |
|--------------|
| FINISH: MILL |
| PROJECT: |
| CUSTOMER: |
| LOCATION: |

APPLICATION-
SURFACE MOUNT WALL/WALL, CEILING/CEILING
EXTERIOR CONDITION

| | |
|--------|--------------|
| DATE: | 4-30-05 |
| SCALE: | 1:4 |
| DOC: | CADJM.001/R5 |

inpro.
For More Information Visit: Inprocorp.com

REINF. EPDM VAPOR BARRIER (JL024-RVB) NOTE: SET IN CONT. BED OF BUTYL SEALANT (BY OTHERS) RVB TERMINATES AT END OF FRAMES



STAINLESS PAN HEAD MACHINE SCREW W/ NEOPRENE WEATHER WASHER (7 PER FRAME) (JKSS28)

CONT. ALUM. SURFACE MOUNT FRAME (J6A101)

STAINLESS PAN HEAD MACHINE SCREW W/ NEOPRENE WEATHER WASHER (7 PER FRAME) (JKSS15)

INJECTION MOLDED CLIP WITH 1/4-20 SQUARE NUT (J4J002-INJVA)

1 1/4" [32mm]

CONT. ALUM. PLATE (J6C107-F) 6" [152mm] SPLICE PLATE (J6C107-FSP)

CONT. VINYL GASKET (J3D505-M)

STAINLESS STEEL CENTERING BAR (7 PER PLATE @ 18" [457mm] O.C.)(J7J018-HDBW)

651-A07-250

| JOINT WIDTH | | MOVEMENT ± | | | |
|-------------|-----|------------|-----|----------|-----|
| | | HORIZONTAL | | VERTICAL | |
| US | mm | US | mm | US | mm |
| 10" | 254 | 5" | 127 | 5" | 127 |

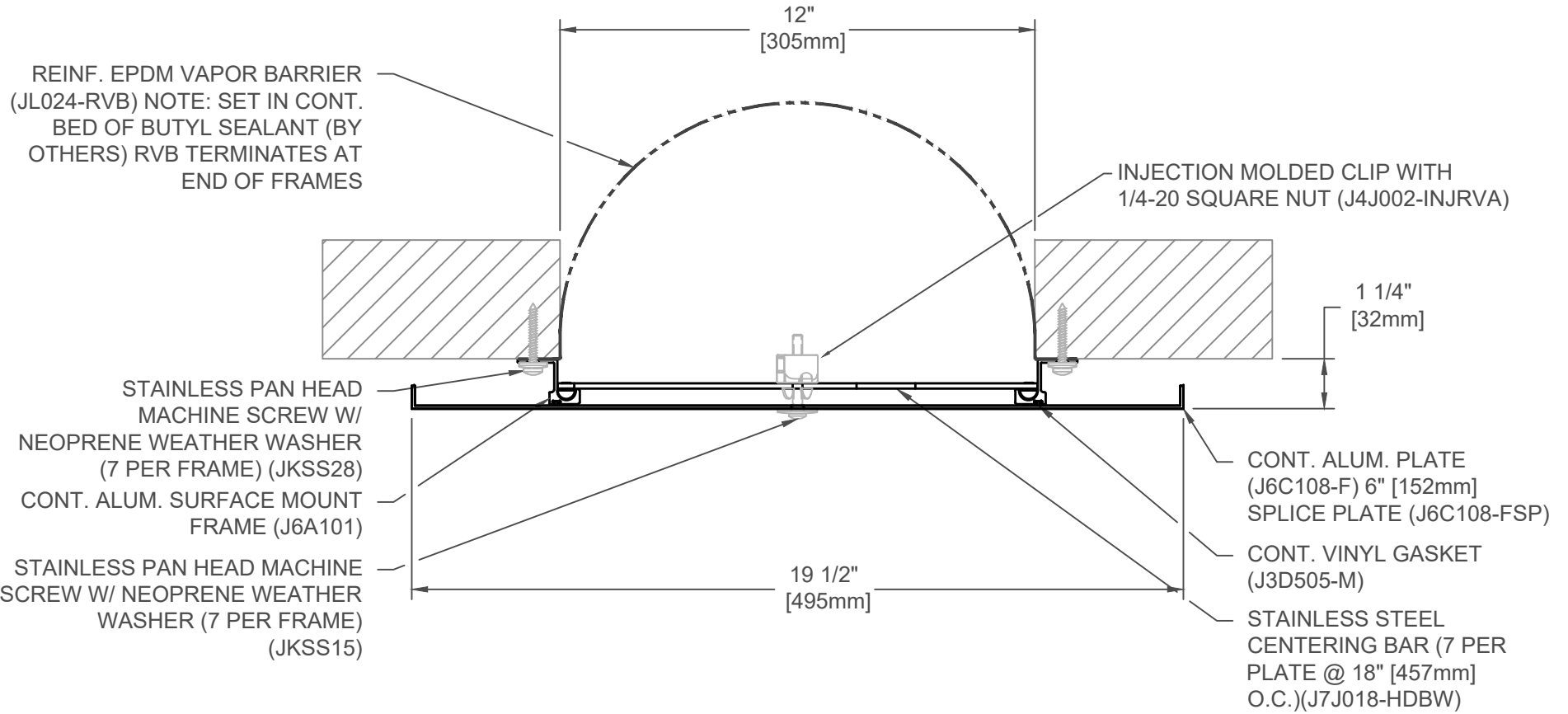
| |
|--------------|
| FINISH: MILL |
| PROJECT: |
| CUSTOMER: |
| LOCATION: |

APPLICATION-
SURFACE MOUNT WALL/WALL, CEILING/CEILING
EXTERIOR CONDITION

| | |
|--------|--------------|
| DATE: | 4-30-05 |
| SCALE: | 1:4 |
| DOC: | CADJM.001/R5 |

inpro.

For More Information Visit: Inprocorp.com



651-A07-300

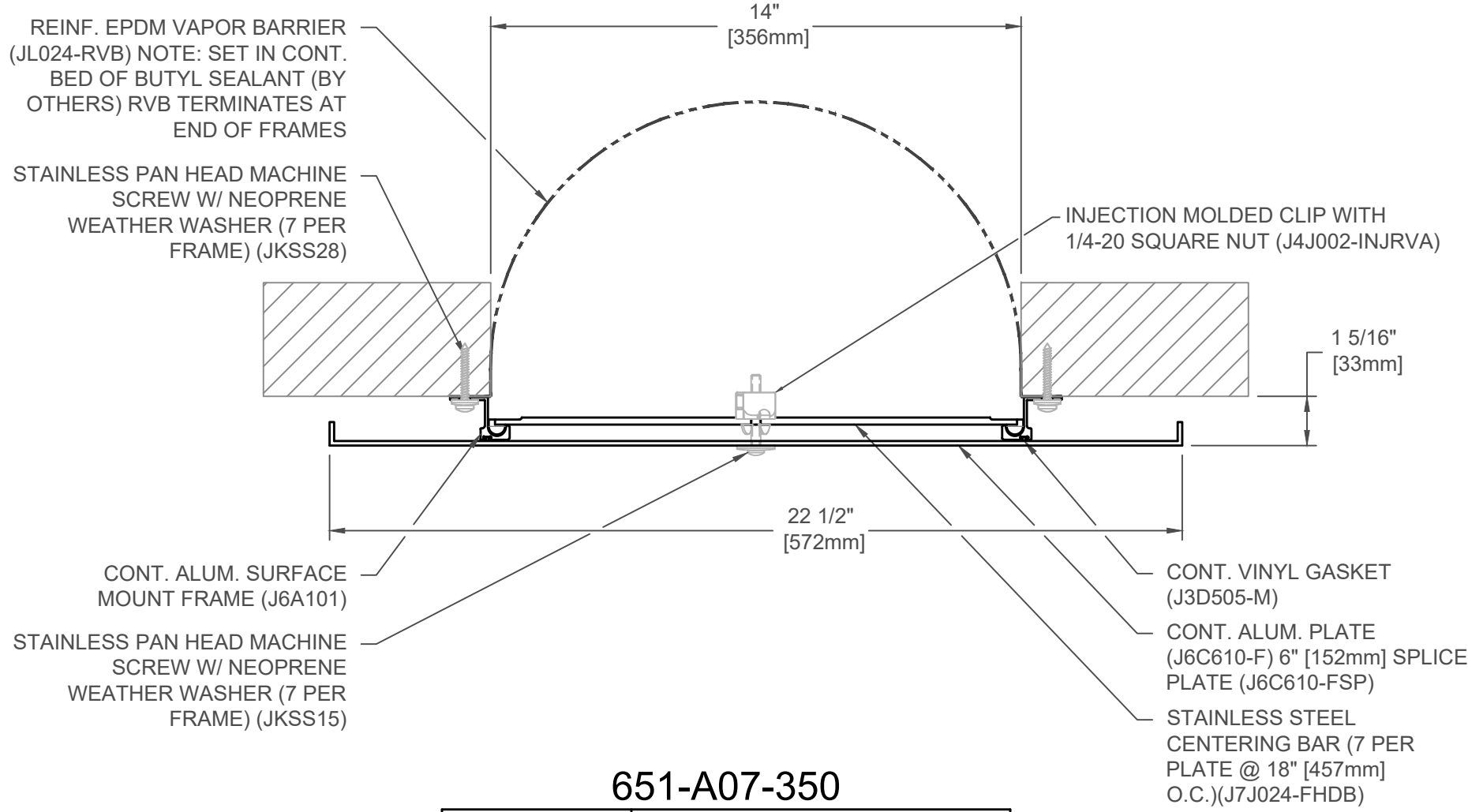
| JOINT WIDTH | | MOVEMENT ± | | | |
|-------------|-----|------------|-----|----------|-----|
| | | HORIZONTAL | | VERTICAL | |
| US | mm | US | mm | US | mm |
| 12" | 305 | 6" | 152 | 6" | 152 |

| |
|--------------|
| FINISH: MILL |
| PROJECT: |
| CUSTOMER: |
| LOCATION: |

APPLICATION-
SURFACE MOUNT WALL/WALL, CEILING/CEILING
EXTERIOR CONDITION

| | |
|--------|--------------|
| DATE: | 4-30-05 |
| SCALE: | 1:4 |
| DOC: | CADJM.001/R5 |

inpro.
For More Information Visit: Inprocorp.com



651-A07-350

| JOINT WIDTH | | MOVEMENT ± | | | |
|-------------|-----|------------|-----|----------|-----|
| | | HORIZONTAL | | VERTICAL | |
| US | mm | US | mm | US | mm |
| 14" | 356 | 7" | 178 | 7" | 178 |

| |
|--------------|
| FINISH: MILL |
| PROJECT: |
| CUSTOMER: |
| LOCATION: |

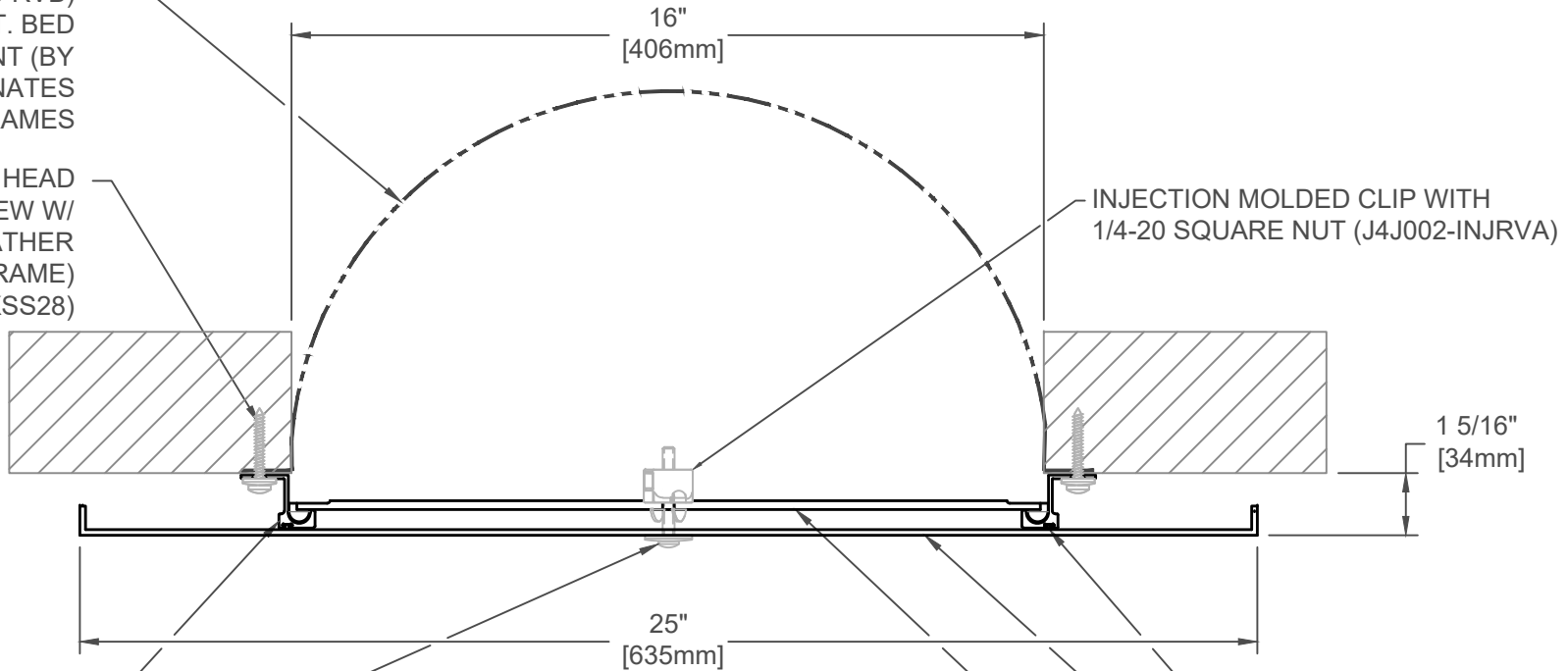
APPLICATION-
SURFACE MOUNT WALL/WALL, CEILING/CEILING
EXTERIOR CONDITION

| | |
|--------|--------------|
| DATE: | 4-30-05 |
| SCALE: | 1:4 |
| DOC: | CADJM.001/R5 |

inpro.
For More Information Visit: Inprocorp.com

REINF. EPDM VAPOR BARRIER (JL036-RVB)
NOTE: SET IN CONT. BED OF BUTYL SEALANT (BY OTHERS) RVB TERMINATES AT END OF FRAMES

STAINLESS PAN HEAD MACHINE SCREW W/ NEOPRENE WEATHER WASHER (7 PER FRAME) (JKSS28)



INJECTION MOLDED CLIP WITH 1/4-20 SQUARE NUT (J4J002-INJRVA)

1 5/16" [34mm]

25" [635mm]

CONT. ALUM. SURFACE MOUNT FRAME (J6A101)

STAINLESS PAN HEAD MACHINE SCREW W/ NEOPRENE WEATHER WASHER (7 PER FRAME) (JKSS15)

CONT. VINYL GASKET (J3D505-M)

CONT. ALUM. PLATE (J6C611-F) 6" [152mm] SPLICE PLATE (J6C611-FSP)

STAINLESS STEEL CENTERING BAR (7 PER PLATE @ 18" [457mm] O.C.)(J7J024-FHDB)

651-A07-400

| JOINT WIDTH | | MOVEMENT ± | | | |
|-------------|-----|------------|-----|----------|-----|
| | | HORIZONTAL | | VERTICAL | |
| US | mm | US | mm | US | mm |
| 16" | 406 | 8" | 203 | 8" | 203 |

| |
|--------------|
| FINISH: MILL |
| PROJECT: |
| CUSTOMER: |
| LOCATION: |

APPLICATION-
SURFACE MOUNT WALL/WALL, CEILING/CEILING
EXTERIOR CONDITION

| | |
|--------|--------------|
| DATE: | 4-30-05 |
| SCALE: | 1:4 |
| DOC: | CADJM.001/R5 |



For More Information Visit: Inprocorp.com