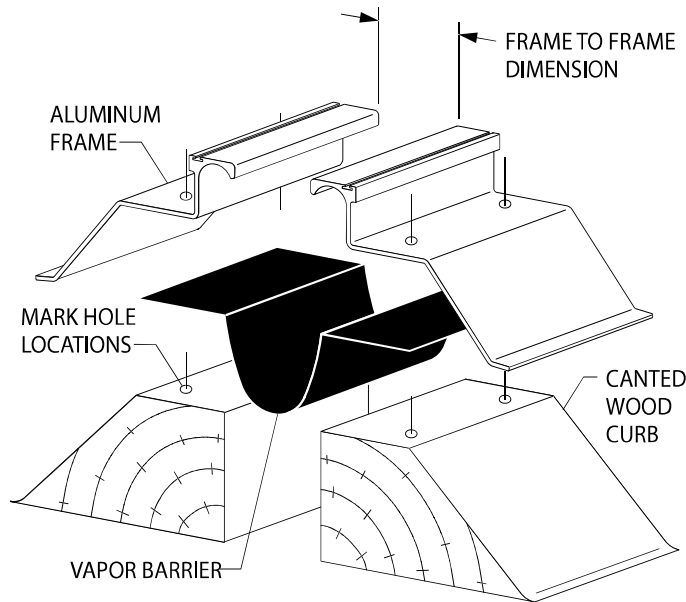


# Installation Instructions

## Joint System: 661-A01/691-A01/651-A01

**Note: Verify that the structural gap is in conformance with submittal data before beginning installation. If this is a Fire Rated Assembly, install the fire barrier before the Architectural Joint System. Refer to the fire barrier instructions for specific system installation. For systems being mounted on exterior conditions, refer to the vapor barrier instructions for proper installations. All Install Instructions are available on [inpro.com](http://inpro.com)**

Fig. 1



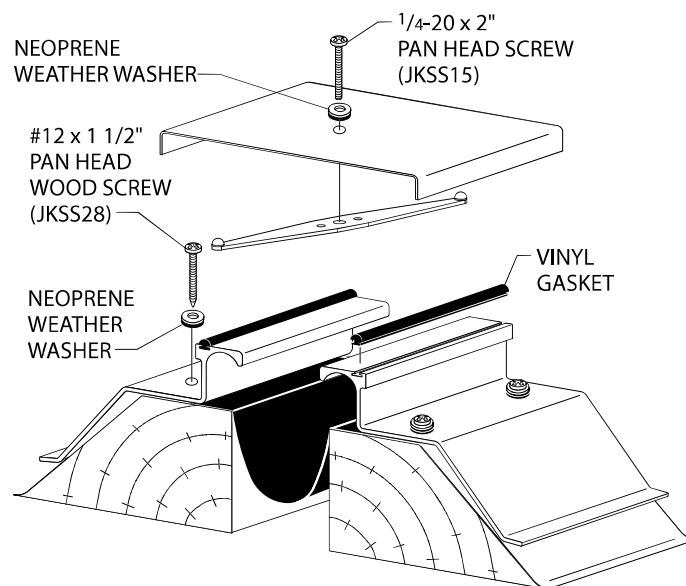
1. Install the architectural joint system on a level surface. To ensure + / - 50% movement, top of canted wood curb must be 1 1/2" (38mm) - 1 3/4" (44mm) wide.

Figure 1

2. Cut the aluminum components to the desired length.
3. Place the frames firmly against the canted wood curb with the radius profile of the frames facing the structural gap.
4. Based on a standard 2x 45° canted curb, the distance between opposing frame faces should be:

Joint Width		Frame to Frame Dimension	
US	MM	US	MM
1"	25	3/4"	19
2"	50	1 1/2"	38
3"	75	2 1/2"	64
4"	100	3 1/2"	89
6"	150	5 1/2"	140
8"	200	7 1/2"	191
10"	250	9 1/2"	241
12"	300	11 1/2"	292

Fig. 2



5. Mark the pre-drilled hole locations on the curb and remove the frames.
6. Drill all marked holes on the curb using a 1/8" (3mm) drill bit to 1 1/2" (25mm) depth.
7. Lay continuous bead of butyl caulk (contractor furnished) on top of both curbs. Starting at one end of joint opening, place vapor barrier evenly over curb tops allowing the excess material to drape into the structural gap. If necessary, vapor barrier may be fastened to substrate with nails. Fold ends up or weep out (See Figure 1a).

Figure 2

8. Return the frames into position over the drilled hole locations. Secure in place with one JKSS28 #12 x 1 1/2" pan head wood screw through a JK080 neoprene weather washer.

IPC.863/REV.9

JOINTMASTER® Expansion Joint Systems

[inpro.com](http://inpro.com) • 800.222.5556 • 262.679.9010

World Headquarters S80 W18766 Apollo Drive, Muskego, WI 53150 USA

Installation Hotline: 866.394.6776

**inpro**®

# Installation Instructions

## Joint System: 661-A01/691-A01/651-A01

---

Fig. 3

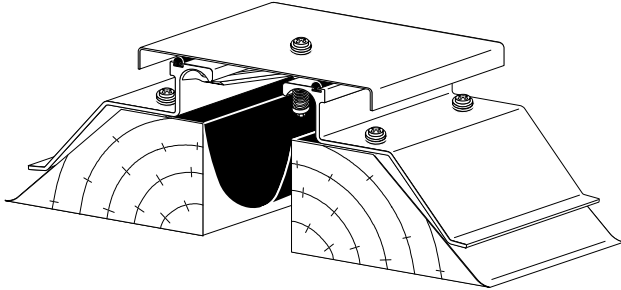
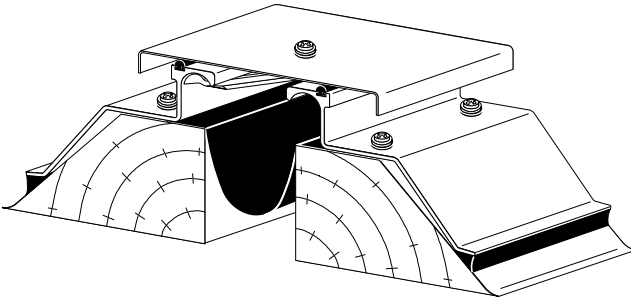
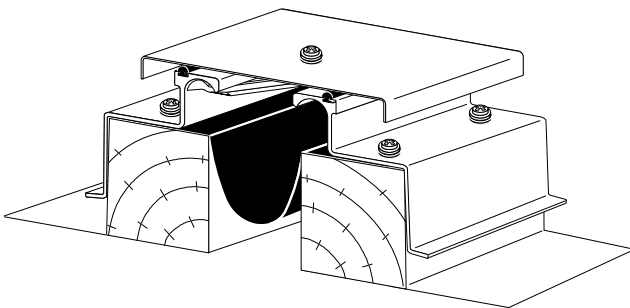


Fig. 4 (661-A01 completed installation)



(691-A01 completed installation)



9. Slide the vinyl gasket into the frame's dart receptacle.
10. Assemble the plate by inserting one JKSS15 1/4-20x2" pan head screw through a neoprene weather washer for each counter-sunk hole in the aluminum plate. Loosely thread one centering bar on each screw with the rounded domes facing the plate. Centering bars should be aligned diagonally and parallel to each other (see Figure 2a).

Figure 3

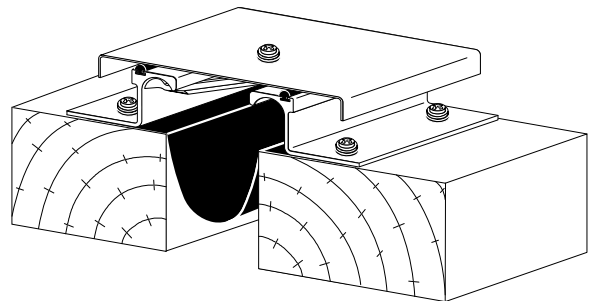
11. Place the plate assembly centered over the frames. Tighten the screws to engage the centering bars in the frame channels.

Figure 4

12. Clean exposed surfaces with a non-solvent cleaner, such as 409, as required.

OPTIONAL - A continuous bead of caulk (contractor furnished) can be applied along the frame lip at the roof cant.

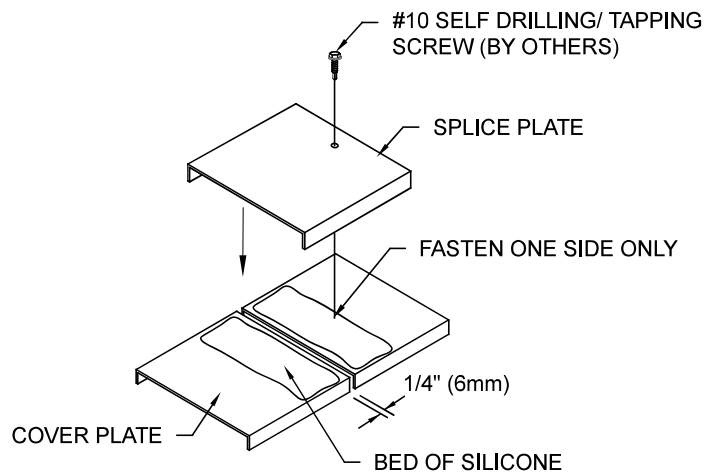
(651-A01 completed installation)



# Installation Instructions

Joint System: 661-A01/691-A01/651-A01

---



## Splice Plate Installation Instructions

13. Leave a min. of 1/4" (6mm) gap between the full sections
14. Apply a bed of continuous silicone sealant (contractor furnished) to splice plate over seam to ensure a water tight seal.
15. Fasten a min. of one #10 (5mm) self drilling/ tapping screw, 1" (25mm) (contractor furnished) in from the center top of the splice plate on one side . Do not fasten both ends of the splice plate