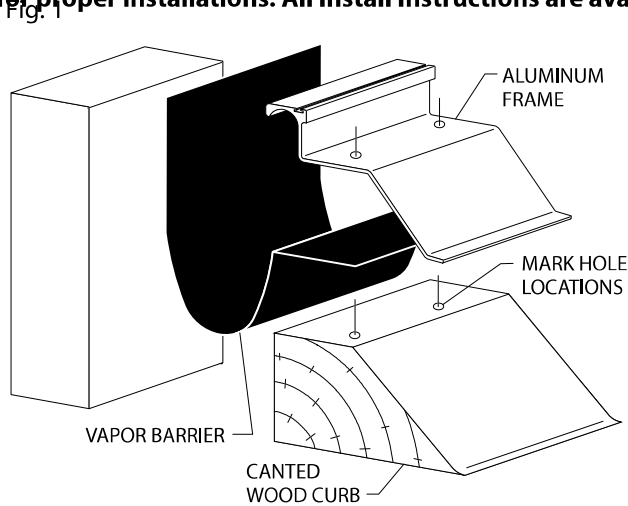


Installation Instructions

Joint System: 661-A02/691-A02/651-A02

Note: Verify that the structural gap is in conformance with submittal data before beginning installation. If this is a Fire Rated Assembly, install the fire barrier before the Architectural Joint System. Refer to the fire barrier instructions for specific system installation. For systems being mounted on exterior conditions, refer to the vapor barrier instructions for proper installations. All Install Instructions are available on inpro.com



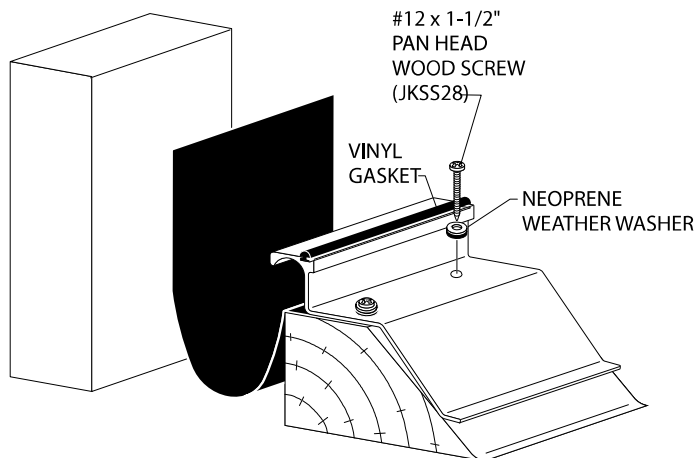
1. Install the architectural joint system on a level surface. To ensure + / - 50 % movement, top of canted wood curb must be 1 1/2" (38mm) - 1 3/4" (44mm) wide.

Figure 1

2. Cut the aluminum components to the desired length.
3. Place the frame firmly against the canted wood curb with the radius profile facing the structural gap.
4. Based on a standard 2x 45° canted curb, the distance between the outside face of the frame to the wall should be:

Joint Width		Frame to Frame	
US	MM	US	MM
1"	25	3/4"	19
2"	50	1 3/4"	44
3"	75	2 3/4"	70
4"	100	3 3/4"	95
6"	150	5 3/4"	146
8"	200	7 3/4"	197
10"	250	9 3/4"	248
12"	300	11 3/4"	298

Fig. 2



5. Mark the pre-drilled hole locations on the curb and remove the frames.
6. Drill all marked holes on the curb using a 1/8" (3mm) drill bit to 1 1/2" (25mm) depth.
7. Lay continuous bead of butyl caulk (contractor furnished) on top of the curb. Starting at one end of the joint opening place vapor barrier evenly over curb allowing the excess material to drape into the structural gap. Lay a second bead of butyl caulk on the wall approximately 2 1/2" (64mm) above the top of the wood curb. From one end, place vapor barrier on wall aligning top edge approximately 3/4" (83mm) above the top of the wood curb. If necessary, vapor barrier may be fastened to substrate with nails. Fold ends up or weep out (See Figure 1a).

Figure 2

8. Return the frame into position over the drilled hole locations. Secure in place using JKSS28 #12 x 1 1/2" pan head wood screws installed through a neoprene weather washer.

IPC.862/REV.7

Installation Instructions

Joint System: 661-A02/691-A02/651-A02

Fig. 3

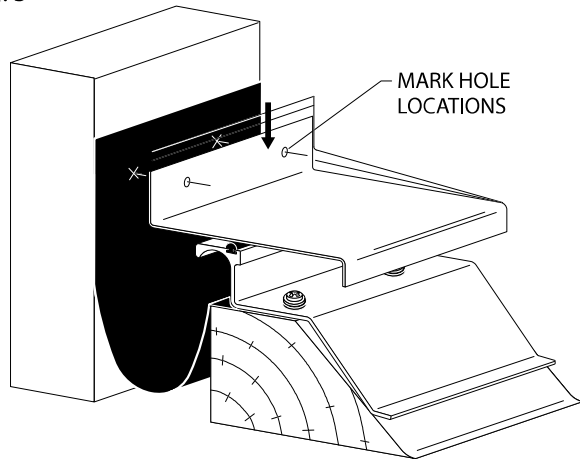


Fig. 3a

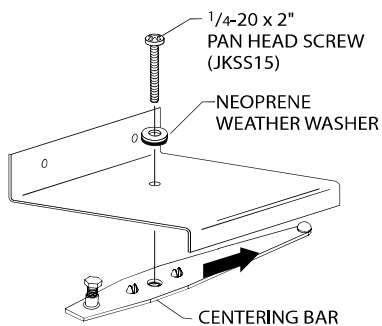
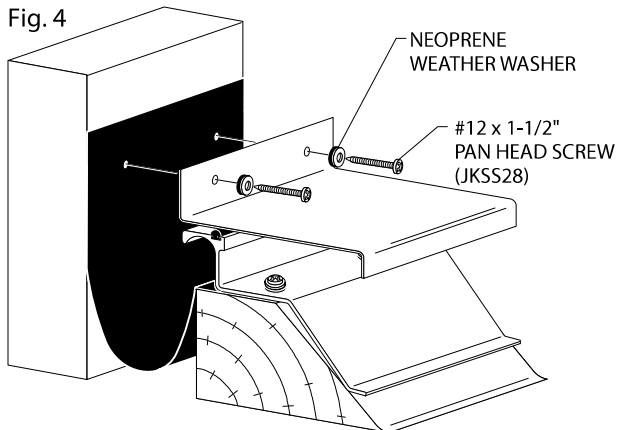


Fig. 4



- Slide the vinyl gasket into the "T" groove on the top face of the frame.

Figure 3

- Place the half plate over the structural gap so the 2" (52 mm) bent flange with the predrilled holes is firmly against the wall. Position the half plate so it is resting on the frame's vinyl gasket. From the resting position slide the pre-drilled wall flange downward, towards the joint, creating positive pressure between the half plate and the frame.

NOTE: For 90° roof to wall conditions, the plate should be near perpendicular with the adjoining wall. Ensure the half plate is not at a downward angle towards the wall.

- Mark the pre-drilled hole locations on the substrate and remove the plate from the wall.

Figure 3A (For joint widths larger than 6" (152mm))

- Assemble the provided JKSS15 1/4-20 x 2" pan head machine screws with one neoprene washer per screw. Insert the assembled hardware through the predrilled holes on the cover plate.
- Loosely thread the provided centering bars (7 per length) on to the JKSS15. Ensure all centering bars are facing towards the right when positioning the cover plate over the joint opening.

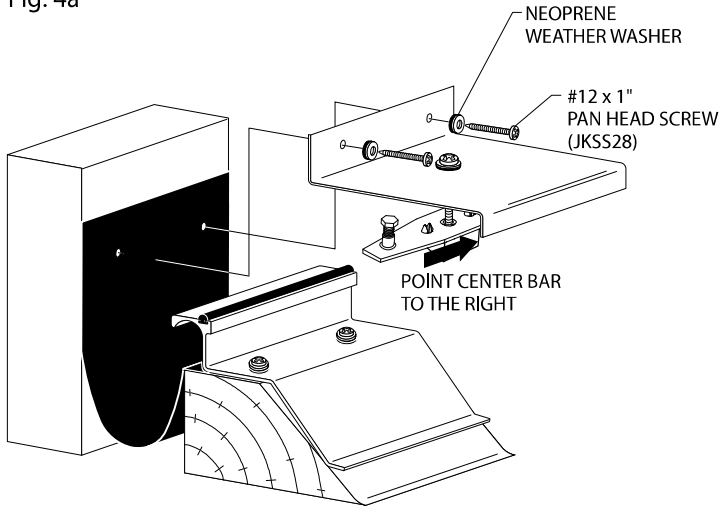
Figure 4

- Drill all marked holes on the wall using a 1/4" (6mm) drill bit to 1 1/2" (38mm) depth.
- Return the half plate into position over the drilled hole locations. If desired, a continuous bead of caulk (contractor furnished) may be applied to the wall first. Secure in place using JKSS28 #12 x 1 1/2" pan head screws with one neoprene weather washer for each drilled hole.

Installation Instructions

Joint System: 661-A02/691-A02/651-A02

Fig. 4a



17. When installing cover plates with centering bars, ALWAYS make sure the centering bar points to the right when back flange of the cover plate is against the wall. (See Fig.4a)

Figure 5

18. Clean exposed surfaces with a non-solvent cleaner, such as 409, as required.

OPTIONAL - A continuous bead of caulk (contractor furnished) can be applied along the frame lip at the roof cant.

651-A02 (completed installation)

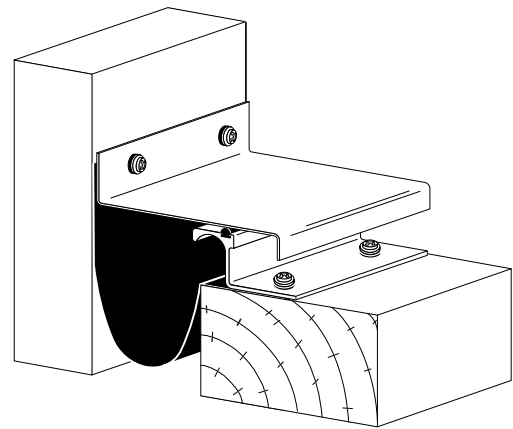
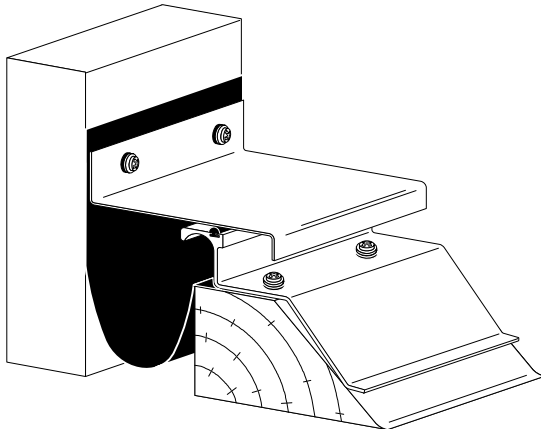
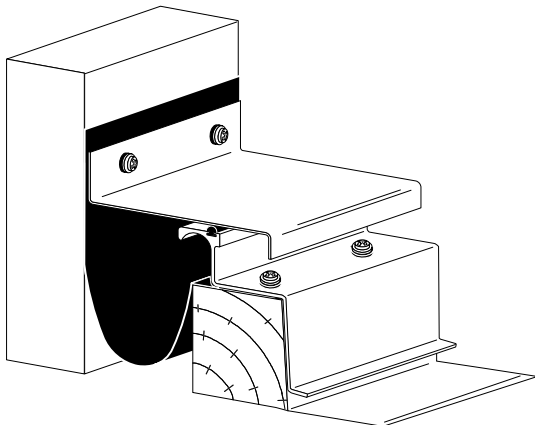


Fig. 5
661-A02 (completed installation)



691-A02 (completed installation)



JOINTMASTER® Expansion Joint Systems

inpro.com • 800.222.5556 • 262.679.9010

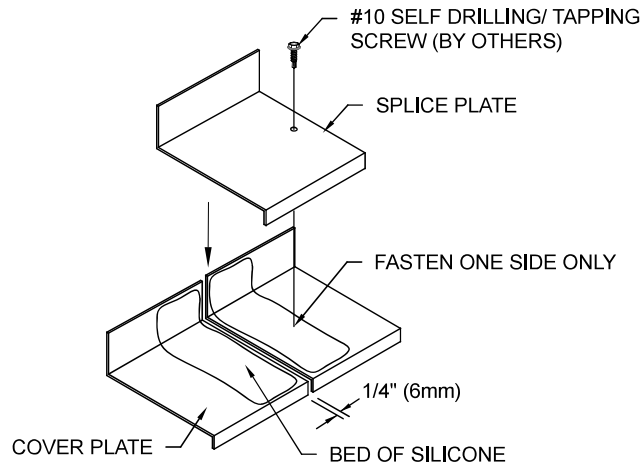
World Headquarters S80 W18766 Apollo Drive, Muskego, WI 53150 USA

Installation Hotline: 866.394.6776

inpro®

Installation Instructions

Joint System: 661-A02/691-A02/651-A02



Splice Plate Installation Instructions

19. Leave a min. of 1/4" (6mm) gap between the full sections
20. Apply a bed of continuous silicone sealant (contractor furnished) to splice plate over seam to ensure a water tight seal.
21. Fasten a min. of one #10 (5mm) self drilling/ tapping screw, 1" (25mm) (contractor furnished) in from the center top of the splice plate on one side . Do not fasten both ends of the splice plate