

# 651 Series

A07 - Wall to Wall or Ceiling to Ceiling

A09 - Wall to Corner or Wall to Ceiling



**Movement Rating ± 50%**

Product Guide



Seismic



Exterior



Fire Rated Option



Vapor Barrier Option

- ▶ Easy onsite assembly and installation
- ▶ Multi-directional seismic movement
- ▶ Moisture barrier included
- ▶ Neoprene weather washers prevent leaking where fasteners penetrate frames/covers
- ▶ Surface mount accommodates uneven joint widths
- ▶ Factory formed transitions available
- ▶ Plate available in stainless steel
- ▶ ±100% movement available

Application	System	W		H1		H2		S		B		Movement +/-			
		Joint Width		Frame Height 1		Height 2		Sightline		Blockout		Horizontal		Vertical	
		US	mm	US	mm	US	mm	US	mm	US	mm	US	mm	US	mm
Wall/Wall Ceiling/Ceiling	651-A07-025	1"	25	1 1/4"	32	*	*	4 1/4"	108	*	*	1/2"	13	1/2"	13
	651-A07-050	2"	51	1 1/4"	32	*	*	5 1/4"	133	*	*	1"	25	1"	25
	651-A07-075	3"	76	1 1/4"	32	*	*	6 1/4"	159	*	*	1 1/2"	38	1 1/2"	38
	651-A07-100	4"	102	1 1/4"	32	*	*	7 1/4"	184	*	*	2"	51	2"	51
	651-A07-150	6"	152	1 1/4"	32	*	*	10 1/2"	267	*	*	3"	76	3"	76
	651-A07-200	8"	203	1 1/4"	32	*	*	13 1/2"	343	*	*	4"	102	4"	102
	651-A07-250	10"	254	1 1/4"	32	*	*	16 1/2"	419	*	*	5"	127	5"	127
	651-A07-300	12"	305	1 5/16"	33	*	*	19 1/2"	495	*	*	6"	152	6"	152
	651-A07-350	14"	356	1 5/16"	33	*	*	22 1/2"	572	*	*	7"	178	7"	178
651-A07-400	16"	406	1 5/16"	33	*	*	25"	635	*	*	8"	203	8"	203	
Wall/Corner Wall/Ceiling	651-A09-025	1"	25	1 1/4"	32	*	*	2 5/8"	67	*	*	1/2"	13	1/2"	13
	651-A09-050	2"	51	1 1/4"	32	*	*	3 5/8"	92	*	*	1"	25	1"	25
	651-A09-075	3"	76	1 1/4"	32	*	*	5"	127	*	*	1 1/2"	38	1 1/2"	38
	651-A09-100	4"	102	1 1/4"	32	*	*	6 1/2"	165	*	*	2"	51	2"	51
	651-A09-150	6"	152	1 1/4"	32	*	*	9 1/2"	241	*	*	3"	76	3"	76
	651-A09-200	8"	203	1 1/4"	32	*	*	12 1/2"	318	*	*	4"	102	4"	102
	651-A09-250	10"	254	1 1/4"	32	*	*	15 1/2"	394	*	*	5"	127	5"	127
	651-A09-300	12"	305	1 5/16"	33	*	*	18 1/2"	470	*	*	6"	152	6"	152
	651-A09-350	14"	356	1 5/16"	33	*	*	21 1/2"	546	*	*	7"	178	7"	178
651-A09-400	16"	406	1 5/16"	33	*	*	25"	635	*	*	8"	203	8"	203	

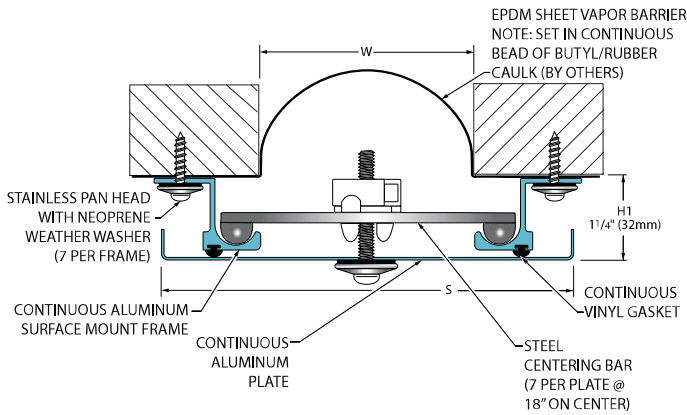
May be available in larger widths, please contact InPro Corporation for more details.

IPC.861/REV.11

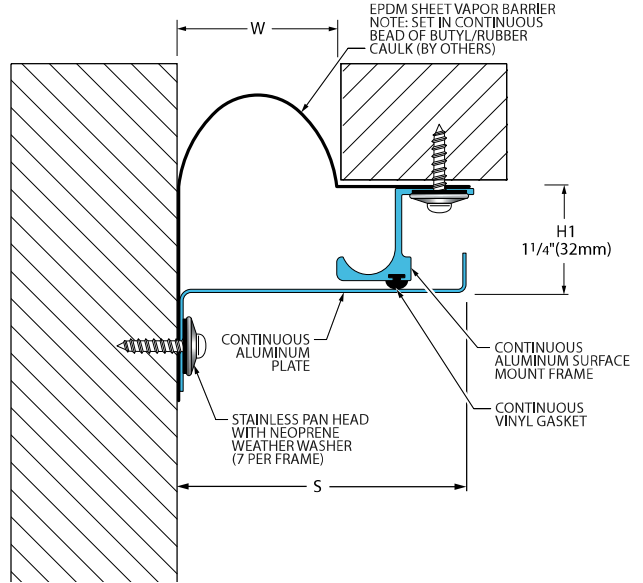
# 651 Series

## Surface Mount Wall and Ceiling Systems

651-A07 Wall/Wall Ceiling/Ceiling  
(2" (50mm) system shown)

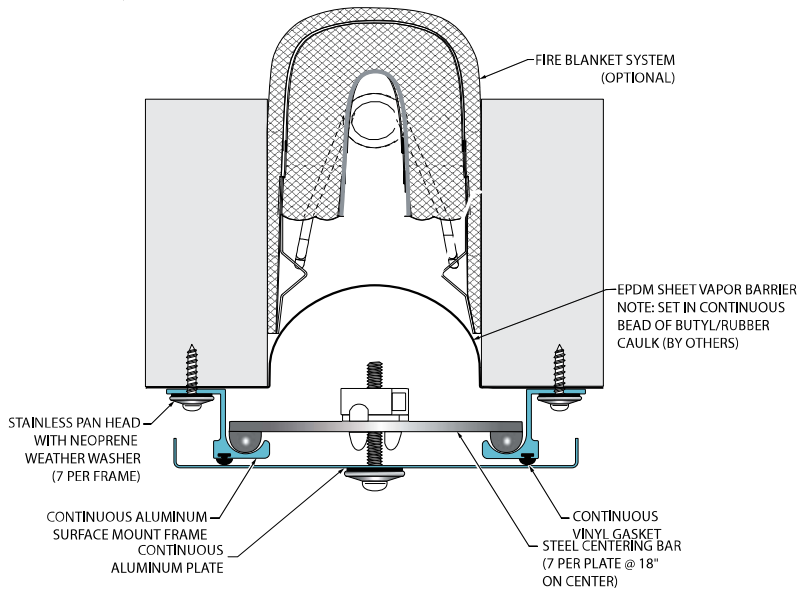


651-A09 Wall/Corner Wall/Ceiling  
(2" (50mm) system shown)



## 651 Series Options

Fire Blanket System  
(651-A07-050 system shown)



Factory Formed Transitions  
(651/661 roof to wall to wall to wall turn shown)

