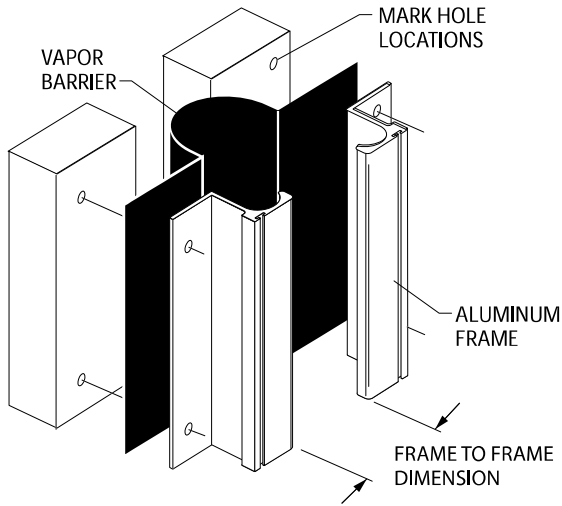


# Installation Instructions

Joint System: 651-A07

**Note: Verify that the structural gap is in conformance with submittal data before beginning installation. If this is a Fire Rated Assembly, install the fire barrier before the Architectural Joint System. Refer to the fire barrier instructions for specific system installation. For systems being mounted on exterior conditions, refer to the vapor barrier instructions for proper installations. All Install Instructions are available on [inpro.com](http://inpro.com)**

Fig. 1



1. Install the architectural joint system on a level wall surface. This may require leveling to raise the tops of the frames.

Figure 1

2. Cut the aluminum components to the desired length.
3. Center the wall frames over the structural gap. The radius profile of the frames should be facing the structural gap. Align plumb.
4. To properly space frames, use the chart below to determine the distance between the opposing outside faces of the frames:

Joint Width		Frame to Frame Dimension	
US	MM	US	MM
1"	25	3/4"	19
2"	50	1 1/2"	38
3"	75	2 1/2"	64
4"	100	3 1/2"	89
6"	150	5 1/2"	140
8"	200	7 1/2"	191
10"	250	9 1/2"	242
12"	300	11 1/2"	292

5. Mark the pre-drilled hole locations on the substrate and remove the frames from the wall.
6. Drill all marked holes on the wall using a 1/4" (6mm) drill bit to 1 1/2" (38mm) depth.
7. Lay continuous bead of butyl caulk (contractor furnished) on face of walls. Starting from the top of the joint opening, place vapor barrier evenly over wall substrate allowing the excess material to drape into the structural gap. If necessary, vapor barrier may be fastened to substrate with nails. Fold ends up or weep out (See Figure 1a).

IPC.860/REV.7

JOINTMASTER® Expansion Joint Systems

[inpro.com](http://inpro.com) • 800.222.5556 • 262.679.9010

World Headquarters S80 W18766 Apollo Drive, Muskego, WI 53150 USA

Installation Hotline: 866.394.6776

**inpro**®

# Installation Instructions

Joint System: 651-A07

Fig. 2

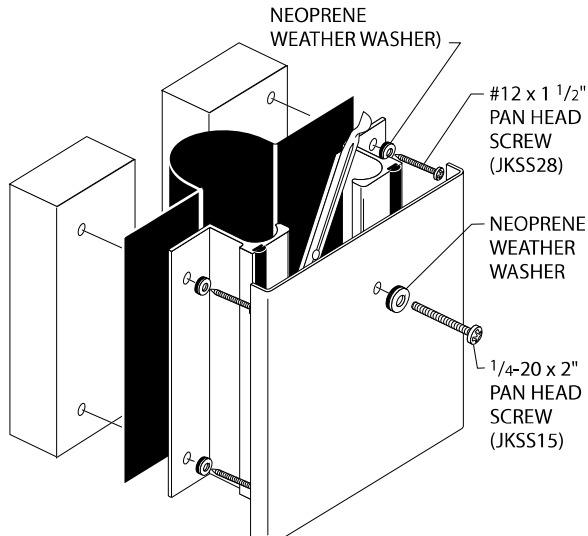


Fig. 3

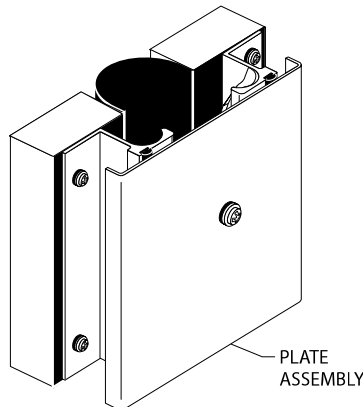


Fig. 4

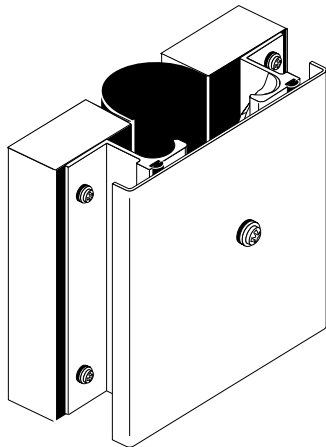


Figure 2

8. Return the frames into position over the drilled hole locations. Secure in place with one JKSS28 #12 x 1 1/2" pan head screw through a neoprene weather washer for each drilled hole.
9. Slide the vinyl gasket into the frame's dart receptacle.
10. Assemble the plate by inserting one JKSS15 1/4-20x2" pan head screw through a neoprene weather washer for each counter-sunk hole in the aluminum plate. Loosely thread one centering bar on each screw with the rounded domes facing the plate. Centering bars should be aligned diagonally and parallel to each other.

Figure 3

11. Place the plate assembly centered over the frames. Tighten the screws to engage the centering bars in the frame channels.
12. Leave a minimum of 1/4"[6.4] gap between full sections.
13. Apply a bed of continuous silicone sealant (contractor furnished) and splice plate (By JointMaster) over seam to ensure a water tight seal.

Figure 4

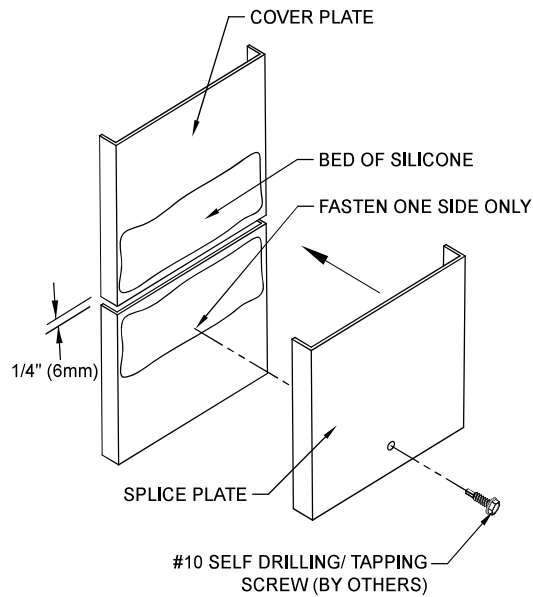
14. Clean exposed surfaces with a non-solvent cleaner, such as 409, as required.

**Note: For cover plate installations exceeding 4 stories in height, installation of a security cable (By Others) is required on the backside of the cover plate. Contact your Rep. for details.**

# Installation Instructions

Joint System: 651-A07

---



## Splice Plate Installation Instructions

15. Leave a min. of 1/4" (6mm) gap between the full sections
16. Apply a bed of continuous silicone sealant (contractor furnished) to splice plate over seam to ensure a water tight seal.
17. Fasten a min. of one #10 (5mm) self drilling/ tapping screw, 1" (25mm) (contractor furnished) in from the center top of the splice plate on one side . Do not fasten both ends of the splice plate

---

JOINTMASTER® Expansion Joint Systems

[inpro.com](http://inpro.com) • 800.222.5556 • 262.679.9010

World Headquarters S80 W18766 Apollo Drive, Muskego, WI 53150 USA

Installation Hotline: 866.394.6776

**inpro**®