

EPDM OR NEOPRENE STANDARD ELASTOMERIC BELLOWS, CLOSED CELL FOAM BACKER AND INTEGRAL SPLICING KITS INCLUDED

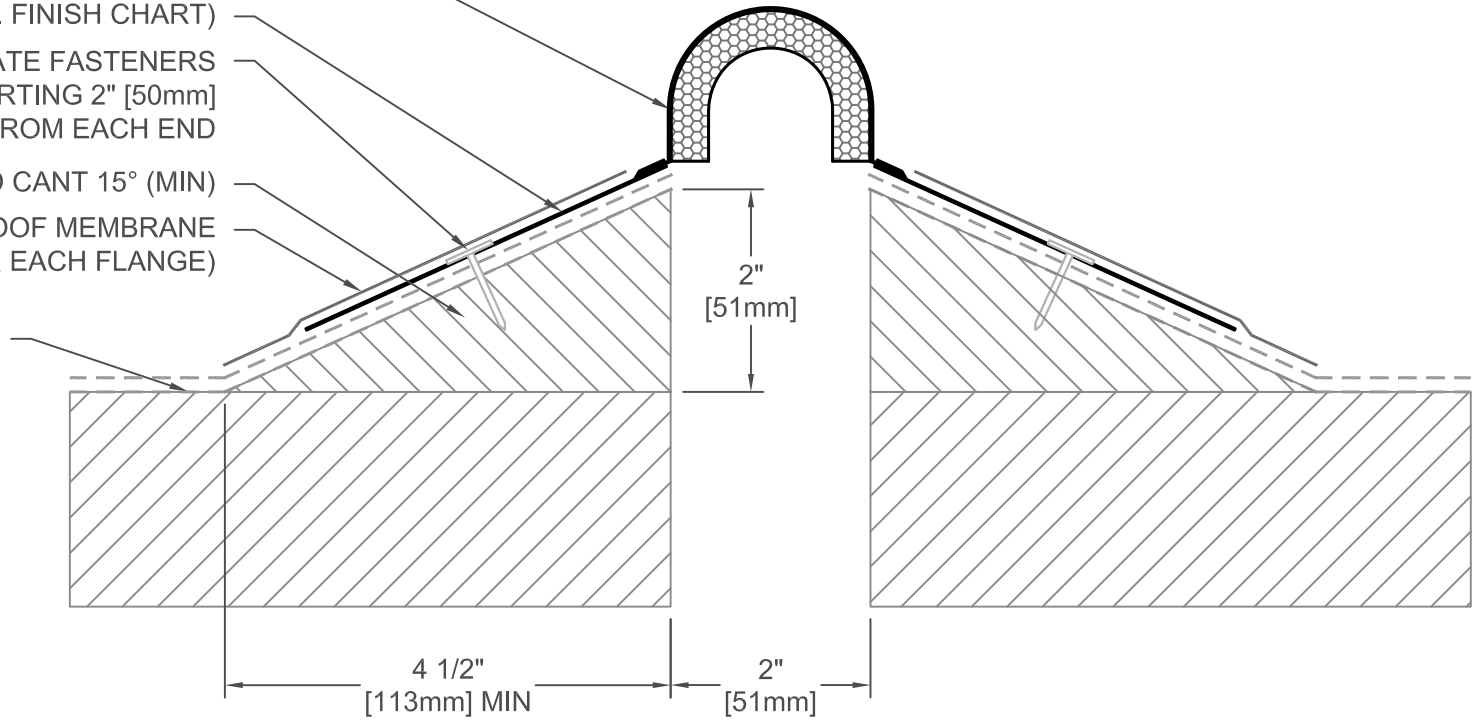
METAL 4" FLANGE (REF. FINISH CHART)

SUBSTRATE APPROPRIATE FASTENERS @ 4" [100mm] O.C. STARTING 2" [50mm] FROM EACH END

APPROVED CANT 15° (MIN)

FLASHING STRIPS OF ROOF MEMBRANE (BY OTHERS) (TYPICAL @ EACH FLANGE)

ROOF MEMBRANE (BY OTHERS) REF. STANDARD CANT DETAIL FOR MEMBRANE LAYERING



SPECIFY FLANGE FINISH	
GALV. STEEL (G01)	
MILL ALUMINUM (A01)	
EPDM (E01)	
STAINLESS STEEL (S01)	
COPPER (C01)	
STANDARD: G01	
ADDNL. COST APPLY FOR ALT. FLANGE FINISHES AND DIMS	

672-G01-050

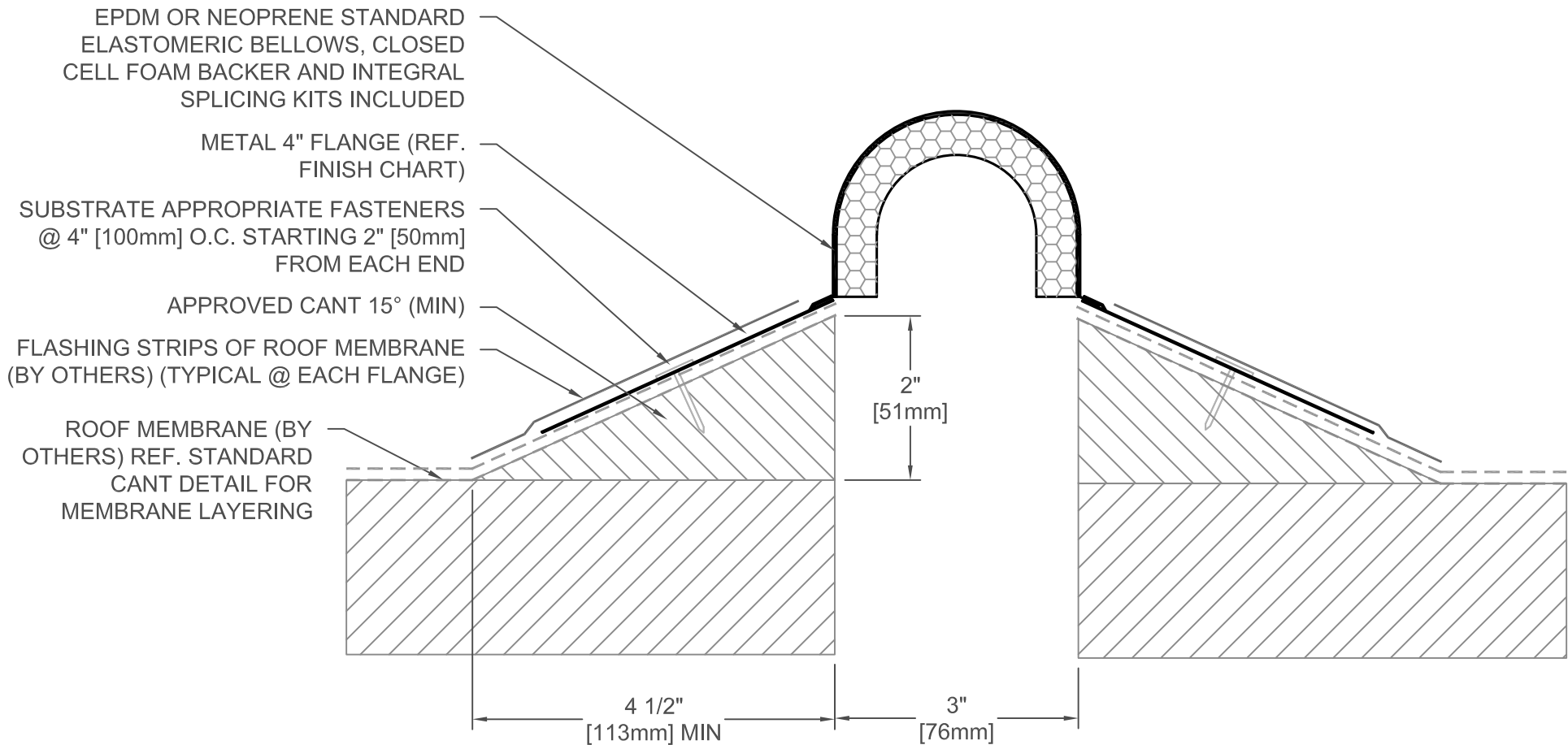
JOINT WIDTH		MOVEMENT ±			
		HORIZONTAL		VERTICAL	
US	mm	US	mm	US	mm
2"	51	1"	25	1"	25

FINISH: MILL
PROJECT:
CUSTOMER:
LOCATION:

APPLICATION-
CANTED ROOF/ROOF CONDITION

DATE:	9-13-05
SCALE:	1:2
DOC:	CADJM.011/R3

inpro.
For More Information Visit: Inprocorp.com



SPECIFY FLANGE FINISH	
GALV. STEEL (G01)	
MILL ALUMINUM (A01)	
EPDM (E01)	
STAINLESS STEEL (S01)	
COPPER (C01)	
STANDARD: G01 ADDNL. COST APPLY FOR ALT. FLANGE FINISHES AND DIMS	

672-G01-075

JOINT WIDTH		MOVEMENT ±			
		HORIZONTAL		VERTICAL	
US	mm	US	mm	US	mm
3"	76	1-1/2"	38	1-1/2"	38

FINISH: MILL
PROJECT:
CUSTOMER:
LOCATION:

APPLICATION-
CANTED ROOF/ROOF CONDITION

DATE:	9-13-05
SCALE:	1:2
DOC:	CADJM.011/R3

inpro.
For More Information Visit: Inprocorp.com

EPDM OR NEOPRENE STANDARD ELASTOMERIC BELLOWS, CLOSED CELL FOAM BACKER AND INTEGRAL SPLICING KITS INCLUDED

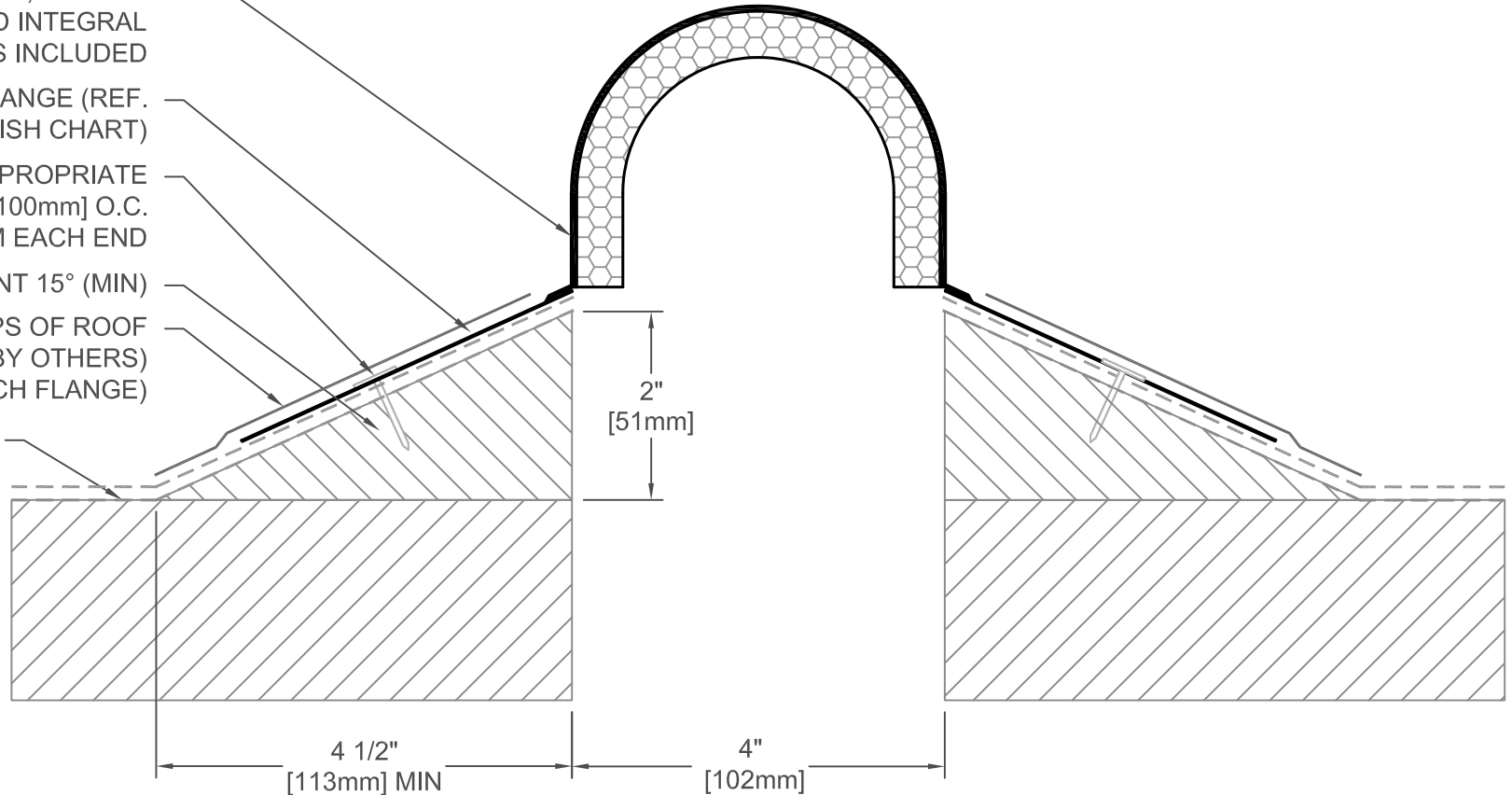
METAL 4" FLANGE (REF. FINISH CHART)

SUBSTRATE APPROPRIATE FASTENERS @ 4" [100mm] O.C. STARTING 2" [50mm] FROM EACH END

APPROVED CANT 15° (MIN)

FLASHING STRIPS OF ROOF MEMBRANE (BY OTHERS) (TYPICAL @ EACH FLANGE)

ROOF MEMBRANE (BY OTHERS) REF. STANDARD CANT DETAIL FOR MEMBRANE LAYERING



672-G01-100

JOINT WIDTH		MOVEMENT ±			
		HORIZONTAL		VERTICAL	
US	mm	US	mm	US	mm
4"	102	2"	51	2"	51

SPECIFY FLANGE FINISH	
GALV. STEEL (G01)	
MILL ALUMINUM (A01)	
EPDM (E01)	
STAINLESS STEEL (S01)	
COPPER (C01)	
STANDARD: G01	
ADDNL. COST APPLY FOR ALT. FLANGE FINISHES AND DIMS	

FINISH: MILL
PROJECT:
CUSTOMER:
LOCATION:

APPLICATION-
CANTED ROOF/ROOF CONDITION

DATE:	9-13-05
SCALE:	1:2
DOC:	CADJM.011/R3

inpro.
For More Information Visit: Inprocorp.com

EPDM OR NEOPRENE
STANDARD ELASTOMERIC
BELLOWS, CLOSED CELL
FOAM BACKER AND INTEGRAL
SPLICING KITS INCLUDED

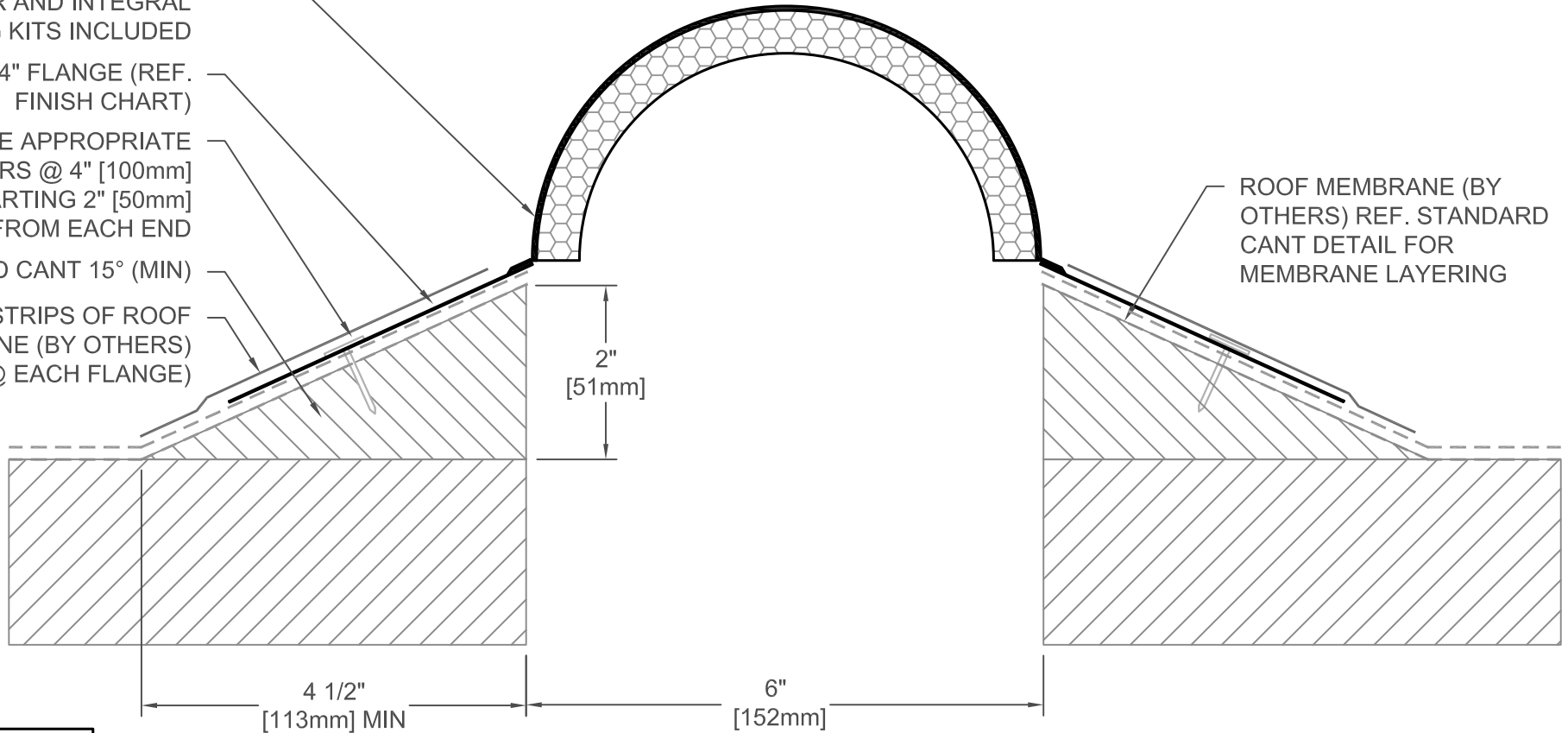
METAL 4" FLANGE (REF.
FINISH CHART)

SUBSTRATE APPROPRIATE
FASTENERS @ 4" [100mm]
O.C. STARTING 2" [50mm]
FROM EACH END

APPROVED CANT 15° (MIN)

FLASHING STRIPS OF ROOF
MEMBRANE (BY OTHERS)
(TYPICAL @ EACH FLANGE)

ROOF MEMBRANE (BY
OTHERS) REF. STANDARD
CANT DETAIL FOR
MEMBRANE LAYERING



SPECIFY FLANGE FINISH	
GALV. STEEL (G01)	
MILL ALUMINUM (A01)	
EPDM (E01)	
STAINLESS STEEL (S01)	
COPPER (C01)	
STANDARD: G01	
ADDNL. COST APPLY FOR ALT. FLANGE FINISHES AND DIMS	

672-G01-150

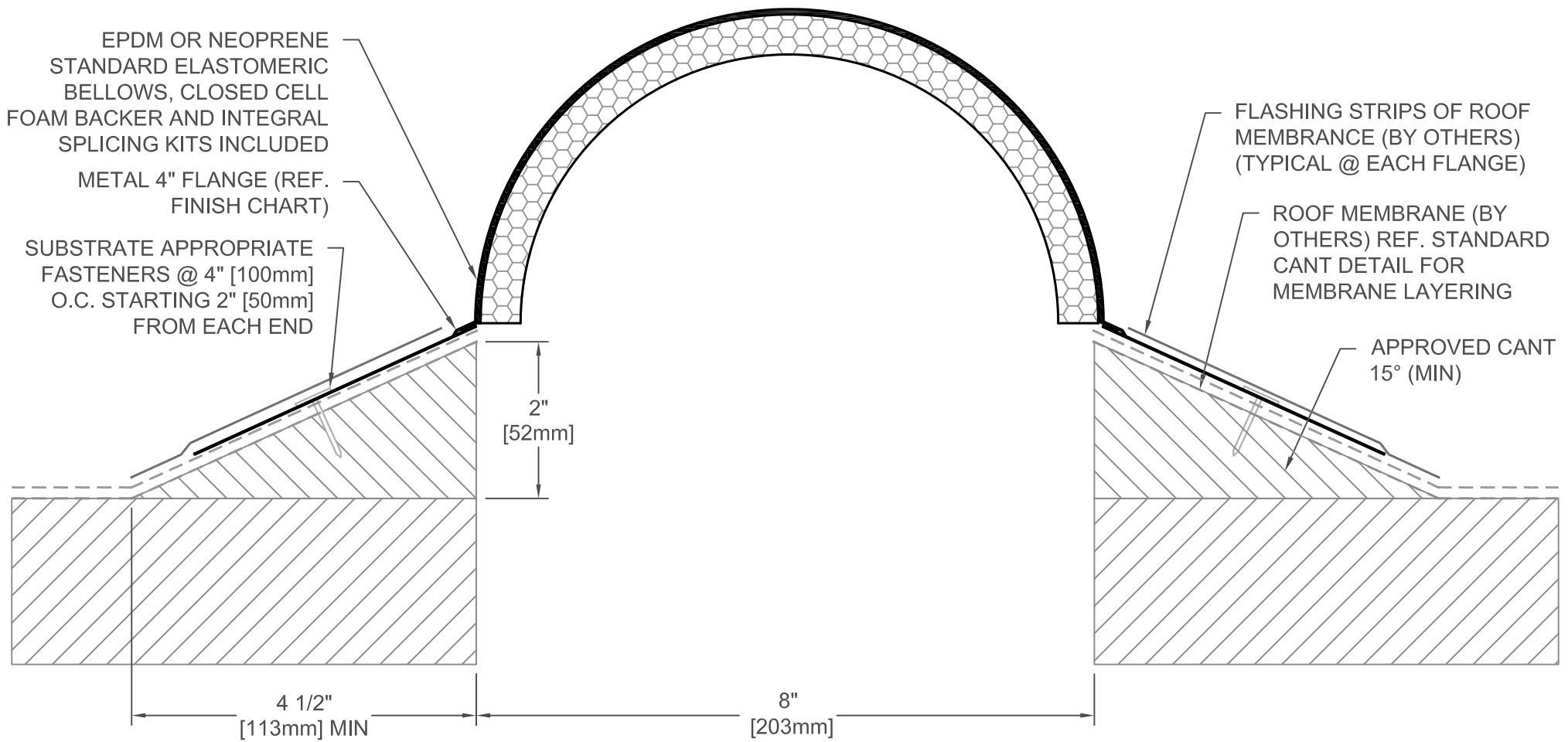
JOINT WIDTH		MOVEMENT ±			
		HORIZONTAL		VERTICAL	
US	mm	US	mm	US	mm
6"	152	3"	76	3"	76

FINISH: MILL
PROJECT:
CUSTOMER:
LOCATION:

APPLICATION-
CANTED ROOF/ROOF CONDITION

DATE: 9-13-05
SCALE: 1:2
DOC: CADJM.011/R3

inpro.
For More Information Visit: Inprocorp.com



SPECIFY FLANGE FINISH	
GALV. STEEL (G01)	
MILL ALUMINUM (A01)	
EPDM (E01)	
STAINLESS STEEL (S01)	
COPPER (C01)	
STANDARD: G01	
ADDNL. COST APPLY FOR ALT. FLANGE FINISHES AND DIMS	

672-G01-200

JOINT WIDTH		MOVEMENT ±			
		HORIZONTAL		VERTICAL	
US	mm	US	mm	US	mm
8"	203	4"	102	4"	102

FINISH: MILL
PROJECT:
CUSTOMER:
LOCATION:

APPLICATION-
CANTED ROOF/ROOF CONDITION

DATE:	9-13-05
SCALE:	1:2
DOC:	CADJM.011/R3

inpro.
For More Information Visit: Inprocorp.com