

SPECIFY FLANGE FINISH	
GALV. STEEL (G01)	
MILL ALUMINUM (A01)	
EPDM (E01)	
STAINLESS STEEL (S01)	
COPPER (C01)	
<b>STANDARD: G01</b>	
ADDNL. COST APPLY FOR ALT. FLANGE FINISHES AND DIMS	

## 672-G02-050

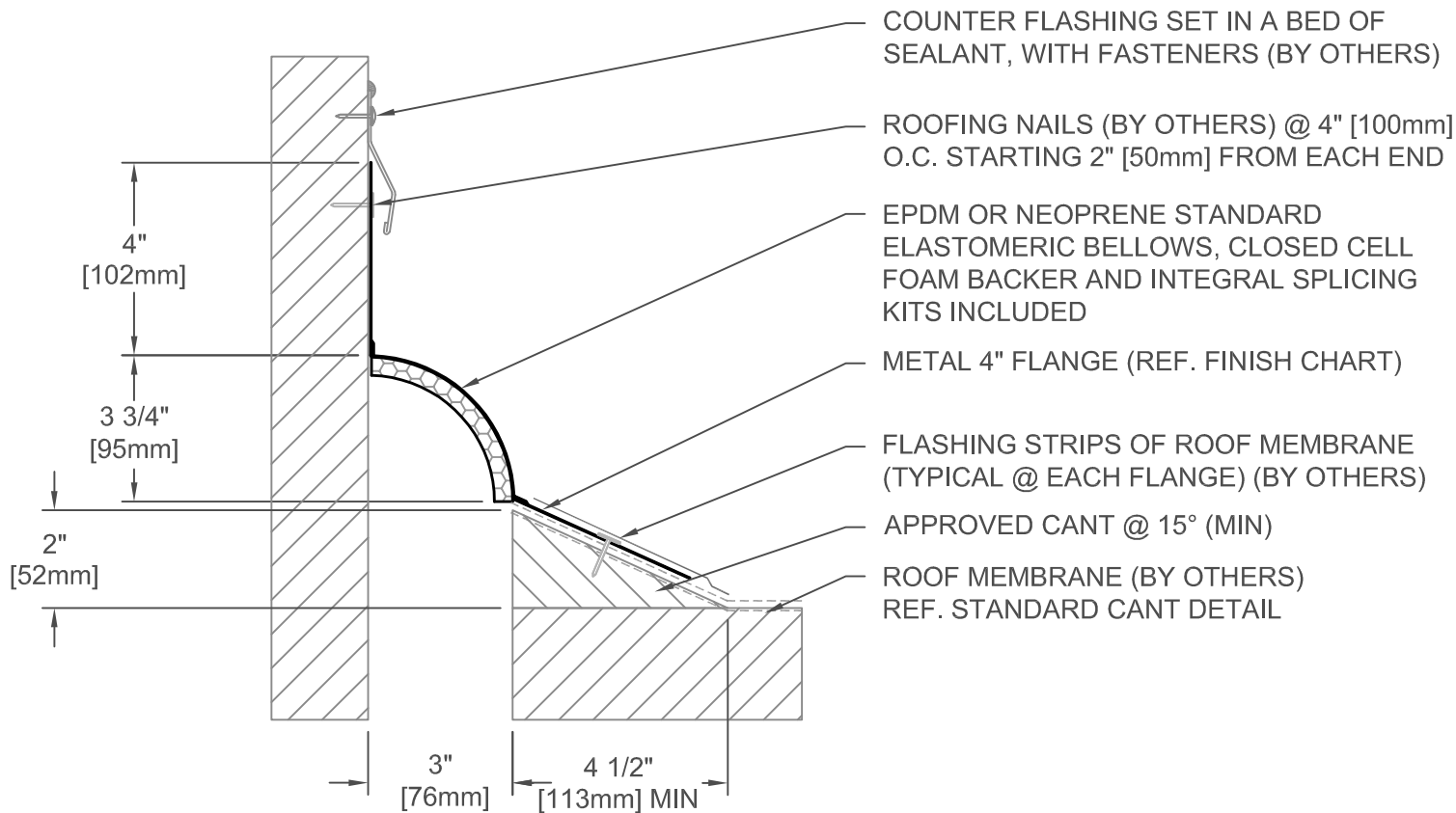
JOINT WIDTH		MOVEMENT ±			
		HORIZONTAL		VERTICAL	
US	mm	US	mm	US	mm
2"	51	1"	25	1"	25

FINISH: MILL
PROJECT:
CUSTOMER:
LOCATION:

APPLICATION-  
CANTED ROOF/WALL CONDITION

DATE:	9-13-05
SCALE:	1:4
DOC:	CADJM.012/R2

**inpro.**  
For More Information Visit: [Inprocorp.com](http://Inprocorp.com)



SPECIFY FLANGE FINISH	
GALV. STEEL (G01)	
MILL ALUMINUM (A01)	
EPDM (E01)	
STAINLESS STEEL (S01)	
COPPER (C01)	
<b>STANDARD: G01</b>	
ADDNL. COST APPLY FOR ALT. FLANGE FINISHES AND DIMS	

672-G02-075

JOINT WIDTH		MOVEMENT ±			
		HORIZONTAL		VERTICAL	
US	mm	US	mm	US	mm
3"	76	1 1/2"	38	1 1/2"	38

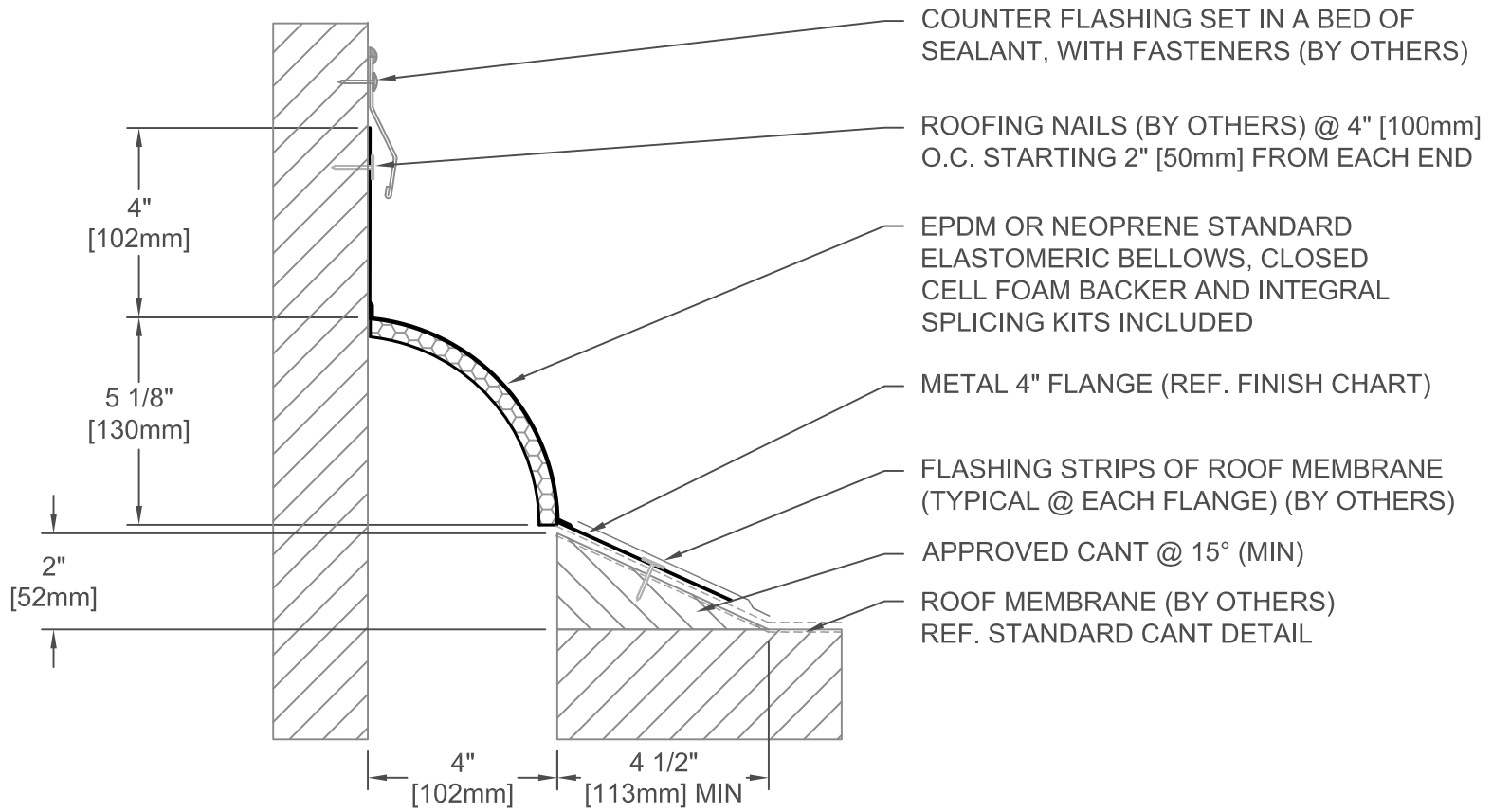
FINISH: MILL
PROJECT:
CUSTOMER:
LOCATION:

APPLICATION-  
CANTED ROOF/WALL CONDITION

DATE:	9-13-05
SCALE:	1:4
DOC:	CADJM.012/R2

**inpro.**

For More Information Visit: [Inprocorp.com](http://Inprocorp.com)



- COUNTER FLASHING SET IN A BED OF SEALANT, WITH FASTENERS (BY OTHERS)
- ROOFING NAILS (BY OTHERS) @ 4" [100mm] O.C. STARTING 2" [50mm] FROM EACH END
- EPDM OR NEOPRENE STANDARD ELASTOMERIC BELLOWS, CLOSED CELL FOAM BACKER AND INTEGRAL SPLICING KITS INCLUDED
- METAL 4" FLANGE (REF. FINISH CHART)
- FLASHING STRIPS OF ROOF MEMBRANE (TYPICAL @ EACH FLANGE) (BY OTHERS)
- APPROVED CANT @ 15° (MIN)
- ROOF MEMBRANE (BY OTHERS) REF. STANDARD CANT DETAIL

SPECIFY FLANGE FINISH	
GALV. STEEL (G01)	
MILL ALUMINUM (A01)	
EPDM (E01)	
STAINLESS STEEL (S01)	
COPPER (C01)	
<b>STANDARD: G01</b>	
ADDNL. COST APPLY FOR ALT. FLANGE FINISHES AND DIMS	

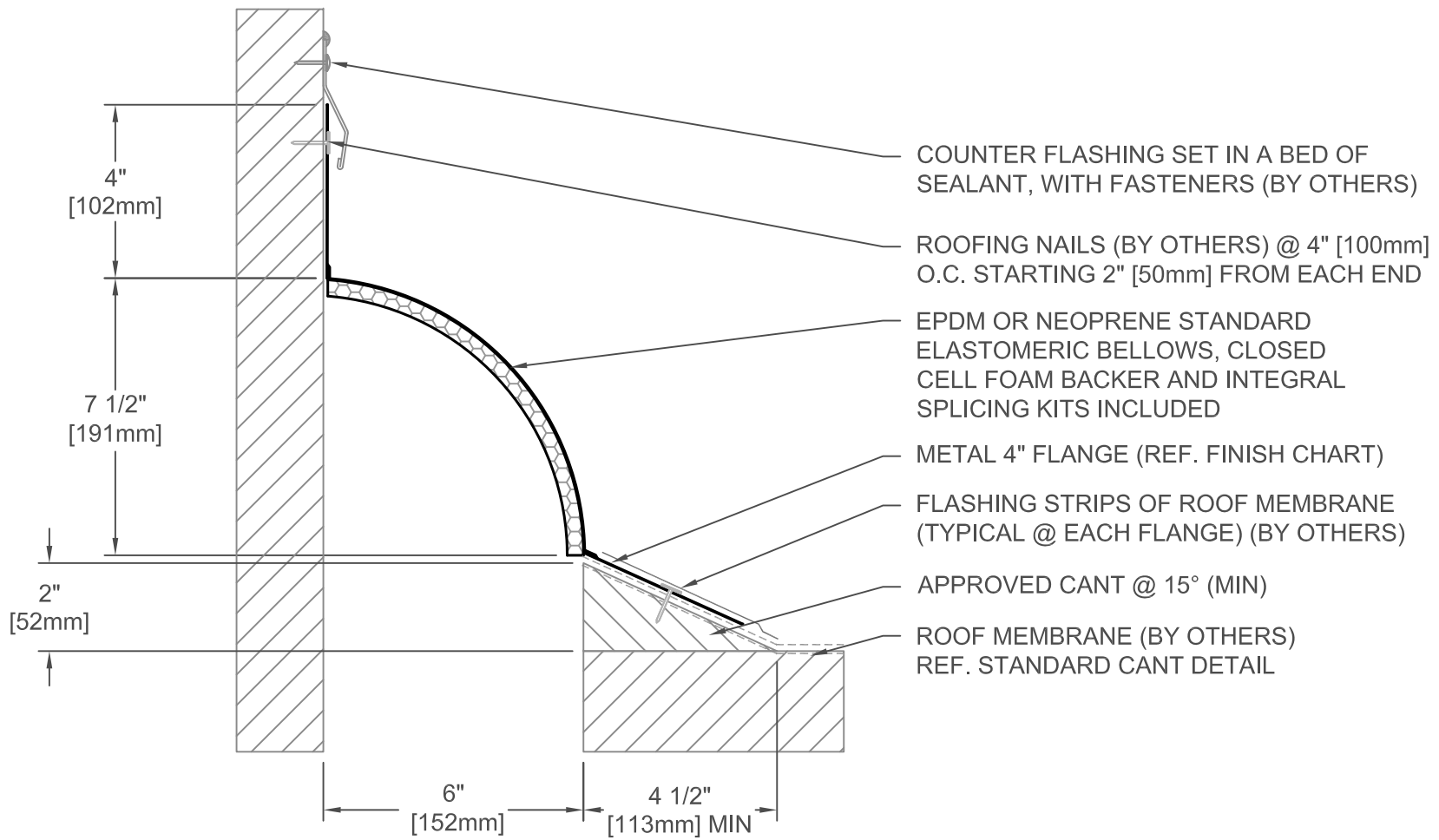
## 672-G02-100

JOINT WIDTH		MOVEMENT ±			
		HORIZONTAL		VERTICAL	
US	mm	US	mm	US	mm
4"	102	2"	51	2"	51

FINISH: MILL
PROJECT:
CUSTOMER:
LOCATION:

APPLICATION-  
CANTED ROOF/WALL CONDITION

DATE:	9-13-05
SCALE:	1:4
DOC:	CADJM.012/R2



SPECIFY FLANGE FINISH	
GALV. STEEL (G01)	
MILL ALUMINUM (A01)	
EPDM (E01)	
STAINLESS STEEL (S01)	
COPPER (C01)	
<b>STANDARD: G01</b>	
ADDNL. COST APPLY FOR ALT. FLANGE FINISHES AND DIMS	

## 672-G02-150

JOINT WIDTH		MOVEMENT ±			
		HORIZONTAL		VERTICAL	
US	mm	US	mm	US	mm
6"	152	3"	76	3"	76

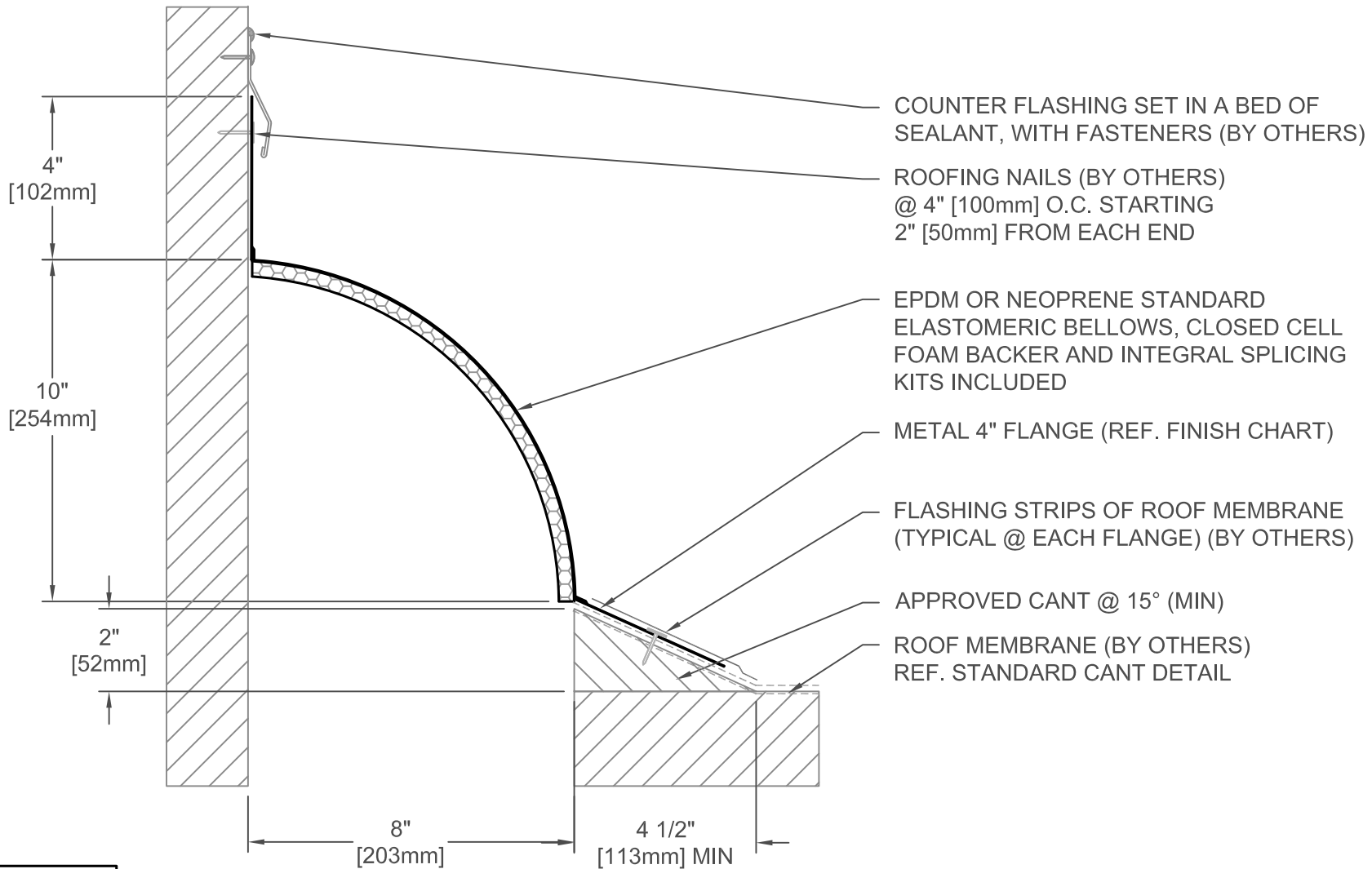
FINISH: MILL
PROJECT:
CUSTOMER:
LOCATION:

APPLICATION-  
CANTED ROOF/WALL CONDITION

DATE:	9-13-05
SCALE:	1:4
DOC:	CADJM.012/R2



For More Information Visit: [Inprocorp.com](http://Inprocorp.com)



COUNTER FLASHING SET IN A BED OF SEALANT, WITH FASTENERS (BY OTHERS)

ROOFING NAILS (BY OTHERS) @ 4" [100mm] O.C. STARTING 2" [50mm] FROM EACH END

EPDM OR NEOPRENE STANDARD ELASTOMERIC BELLOWS, CLOSED CELL FOAM BACKER AND INTEGRAL SPLICING KITS INCLUDED

METAL 4" FLANGE (REF. FINISH CHART)

FLASHING STRIPS OF ROOF MEMBRANE (TYPICAL @ EACH FLANGE) (BY OTHERS)

APPROVED CANT @ 15° (MIN)

ROOF MEMBRANE (BY OTHERS) REF. STANDARD CANT DETAIL

SPECIFY FLANGE FINISH	
GALV. STEEL (G01)	
MILL ALUMINUM (A01)	
EPDM (E01)	
STAINLESS STEEL (S01)	
COPPER (C01)	
<b>STANDARD: G01</b>	
ADDNL. COST APPLY FOR ALT. FLANGE FINISHES AND DIMS	

### 672-G02-200

JOINT WIDTH		MOVEMENT ±			
		HORIZONTAL		VERTICAL	
US	mm	US	mm	US	mm
8"	203	4"	102	4"	102

FINISH: MILL
PROJECT:
CUSTOMER:
LOCATION:

APPLICATION-  
CANTED ROOF/WALL CONDITION

DATE:	9-13-05
SCALE:	1:4
DOC:	CADJM.012/R2



For More Information Visit: [Inprocorp.com](http://Inprocorp.com)