

672 Series

G01 - Roof to Roof

G02 - Roof to Wall



Movement Rating ± 50%

Product Guide



Seismic



Exterior



Fire Rated
Option



Vapor Barrier
Option

- ▶ Weatherproof bellow roof system for thermal and seismic expansion joints
- ▶ Black EPDM membrane stretched over closed cell foam backer to hold convex shaped
- ▶ Galvanized metal flanges with optional stainless steel, copper, aluminum and EPDM flanges available
- ▶ Optional PVC/TPO bellows and flexible flanges allow direct tie-in to surrounding roof membrane for monolithic protection
- ▶ Factory made transitions available
- ▶ Splicing kits provided for consistent installation

Application	System	W		S		Movement +/-			
		Joint Width		Sightline		Horizontal		Vertical	
		US	mm	US	mm	US	mm	US	mm
Roof/Roof	672-G01-050	2"	51	7 1/8"	181	1"	25	1"	25
	672-G01-075	3"	76	8 1/2"	206	1 1/2"	38	1 1/2"	38
	672-G01-100	4"	102	9 1/2"	241	2"	51	2"	51
	672-G01-150	6"	152	11 1/2"	292	3"	76	3"	76
	672-G01-200	8"	203	13 1/2"	343	4"	102	4"	102
	672-G01-250	10"	254	15 1/2"	394	5"	127	5"	127
	672-G01-300	12"	304	17 1/2"	445	6"	152	6"	152
Roof/Wall	672-G02-050	2"	51	3 9/16"	90	1"	25	1"	25
	672-G02-075	3"	76	4 9/16"	116	1 1/2"	38	1 1/2"	38
	672-G02-100	4"	102	5 9/16"	141	2"	51	2"	51
	672-G02-150	6"	152	7 9/16"	192	3"	76	3"	76
	672-G02-200	8"	203	9 9/16"	243	4"	102	4"	102
	672-G02-250	10"	254	11 9/16"	294	5"	127	5"	127
	672-G02-300	12"	304	13 9/16"	344	6"	152	6"	152

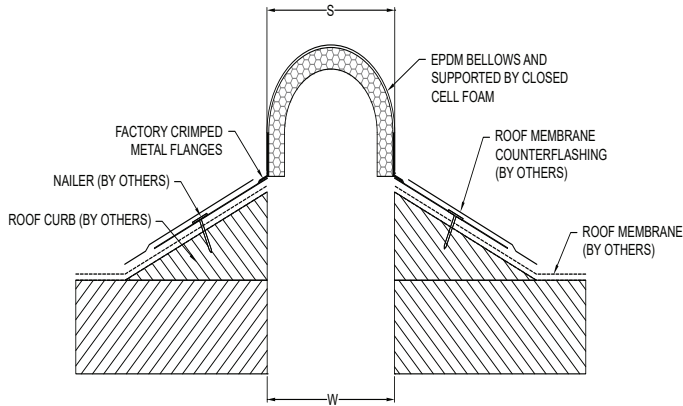
Available in larger widths, please contact InPro Corporation for more details.

IPC.867/REV.13

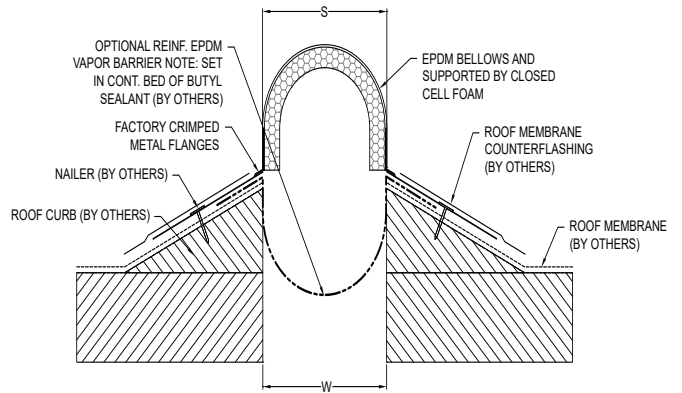
672 Series

Bellows Roof Systems

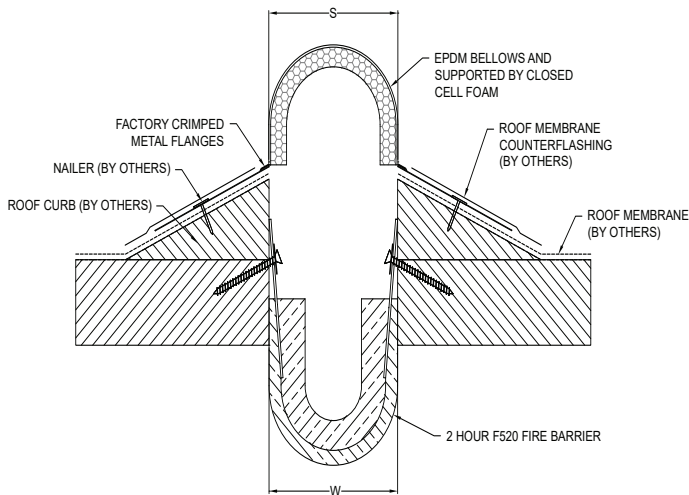
Metal Flanges
 672-G01 Canted Roof/Roof
 (672-G01-100 system shown)



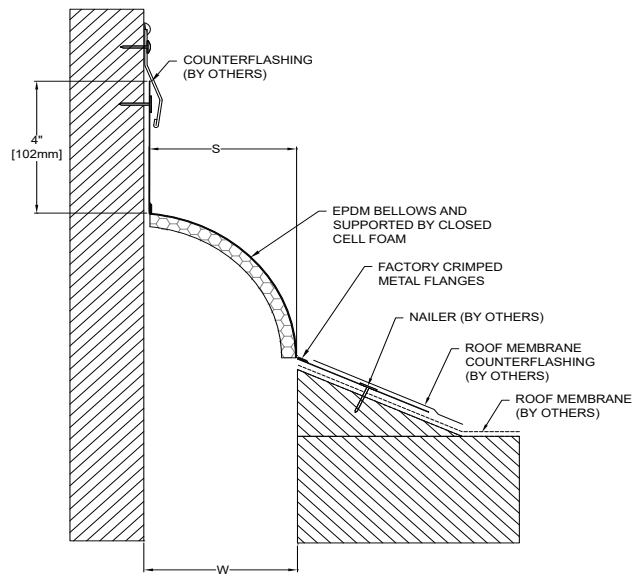
Wrap Around Vapor Barrier
 (672-G01-100 system shown)



Fire Blanket System
 (672-G01-100 system shown)



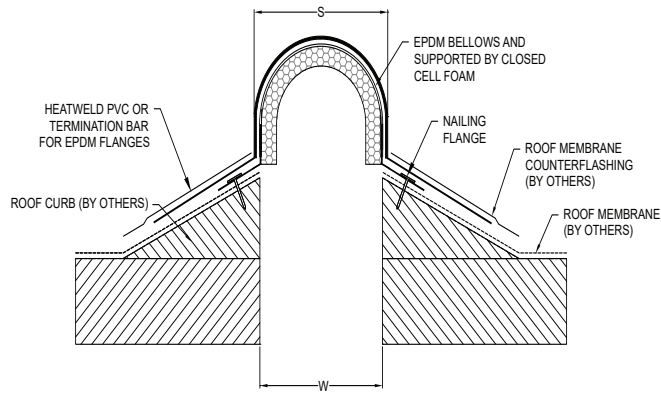
672-G02 Canted Roof/Wall
 (4" (102mm) system shown)



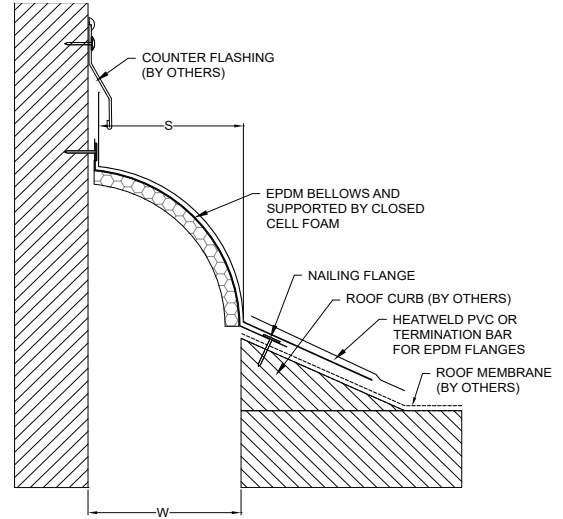
672 Series

Standard and Options

EPDM Flanges
(672-E01-100 system shown)

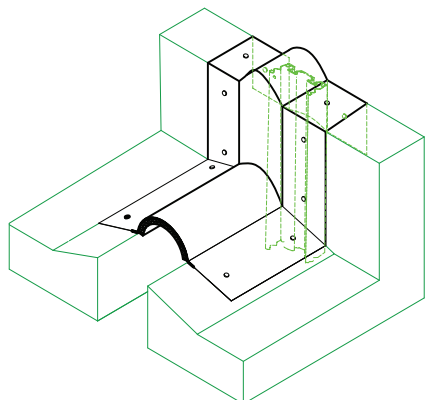


EPDM Flanges
(672-E01-100 system shown)

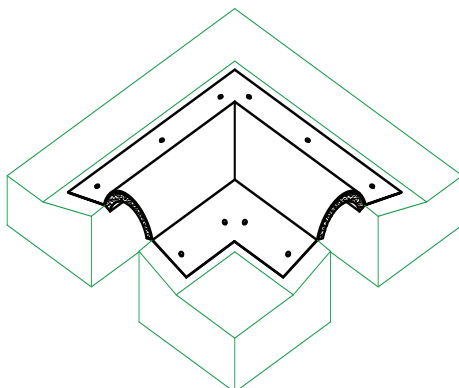


672 Series

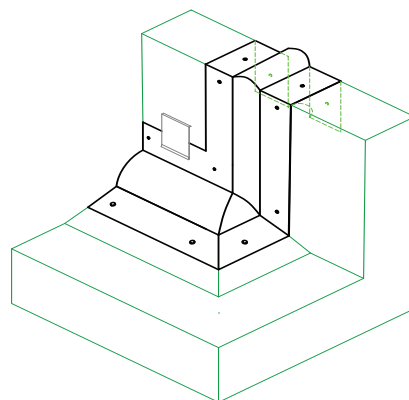
Bellows Transition Examples



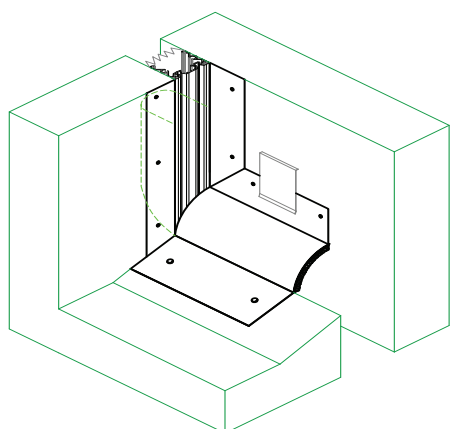
A. Parapet



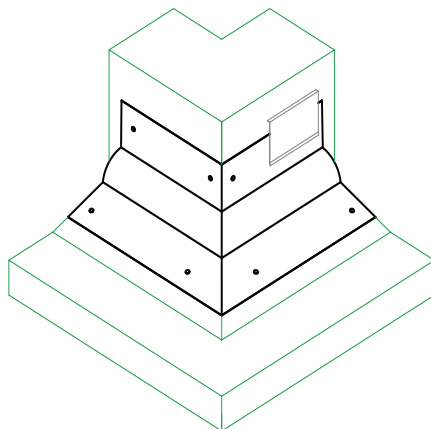
B. Roof 90° turn Roof



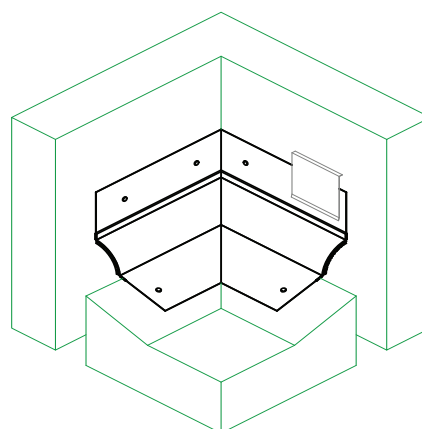
C. Roof up to vertical Wall



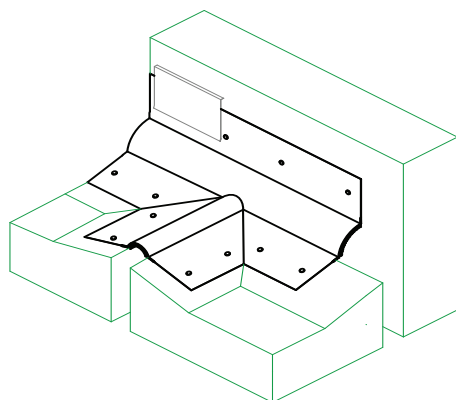
D. Vertical to Horizontal
Roof to Wall



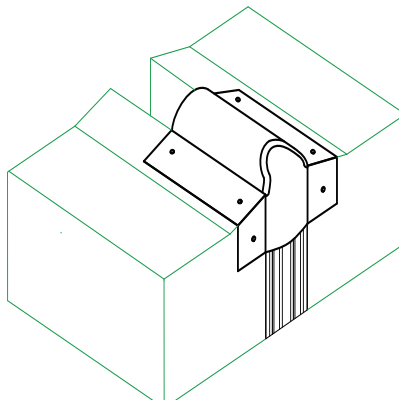
E. Roof Outside Corner to Wall



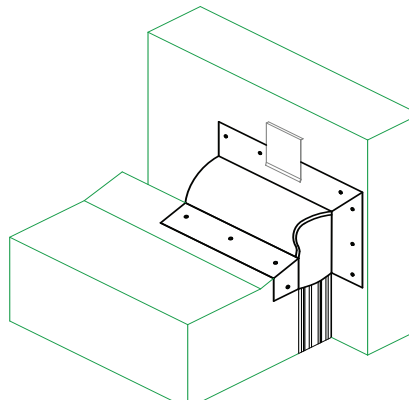
F. Roof Inside Corner to Wall



G. "T" Intersection
Roof to Wall



H. Horizontal to Vertical
Roof to Roof



I. Horizontal to Vertical
Roof to Wall