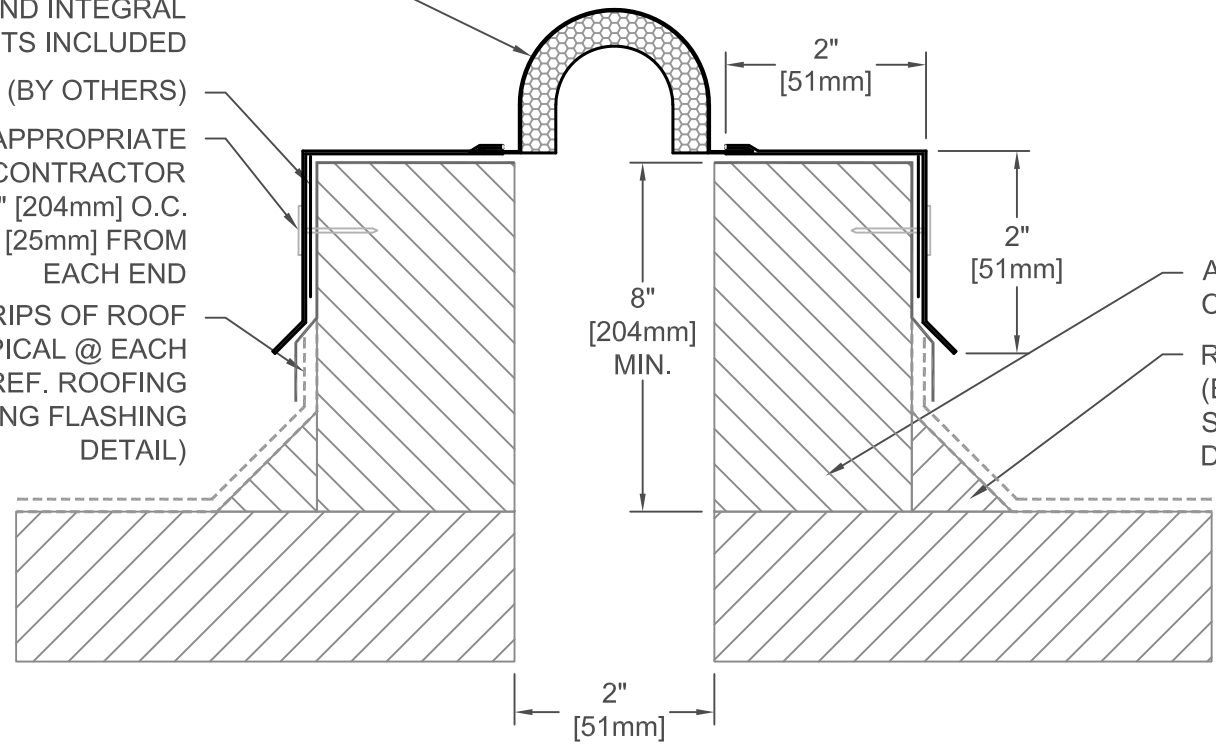


EPDM OR NEOPRENE  
STANDARD ELASTOMERIC  
BELLOWS, CLOSED CELL  
FOAM BACKER AND INTEGRAL  
SPLICING KITS INCLUDED

SEALANT TAPE (BY OTHERS)

SUBSTRATE APPROPRIATE  
FASTENERS (CONTRACTOR  
FURNISHED) @ 8" [204mm] O.C.  
STARTING 1" [25mm] FROM  
EACH END

FLASHING STRIPS OF ROOF  
MEMBRANE (TYPICAL @ EACH  
FLANGE) (REF. ROOFING  
MANUFACTURING FLASHING  
DETAIL)



APPROVED CONT.  
CURB (BY OTHERS)

ROOF MEMBRANE  
(BY OTHERS) REF.  
STANDARD CURB  
DETAIL

SPECIFY FLANGE FINISH	
GALV. STEEL (G01)	
MILL ALUMINUM (A01)	
EPDM (E01)	
STAINLESS STEEL (S01)	
COPPER (C01)	
<b>STANDARD: G01</b>	
ADDNL. COST APPLY FOR ALT. FLANGE FINISHES AND DIMS	

## 674-G01-050

JOINT WIDTH		MOVEMENT ±			
		HORIZONTAL		VERTICAL	
US	mm	US	mm	US	mm
2"	50	1"	25	1"	25

FINISH: MILL
PROJECT:
CUSTOMER:
LOCATION:

APPLICATION-  
CURB FLANGE ROOF/ROOF CONDITION

DATE:	9-13-05
SCALE:	1:2
DOC:	CADJM.013/R4

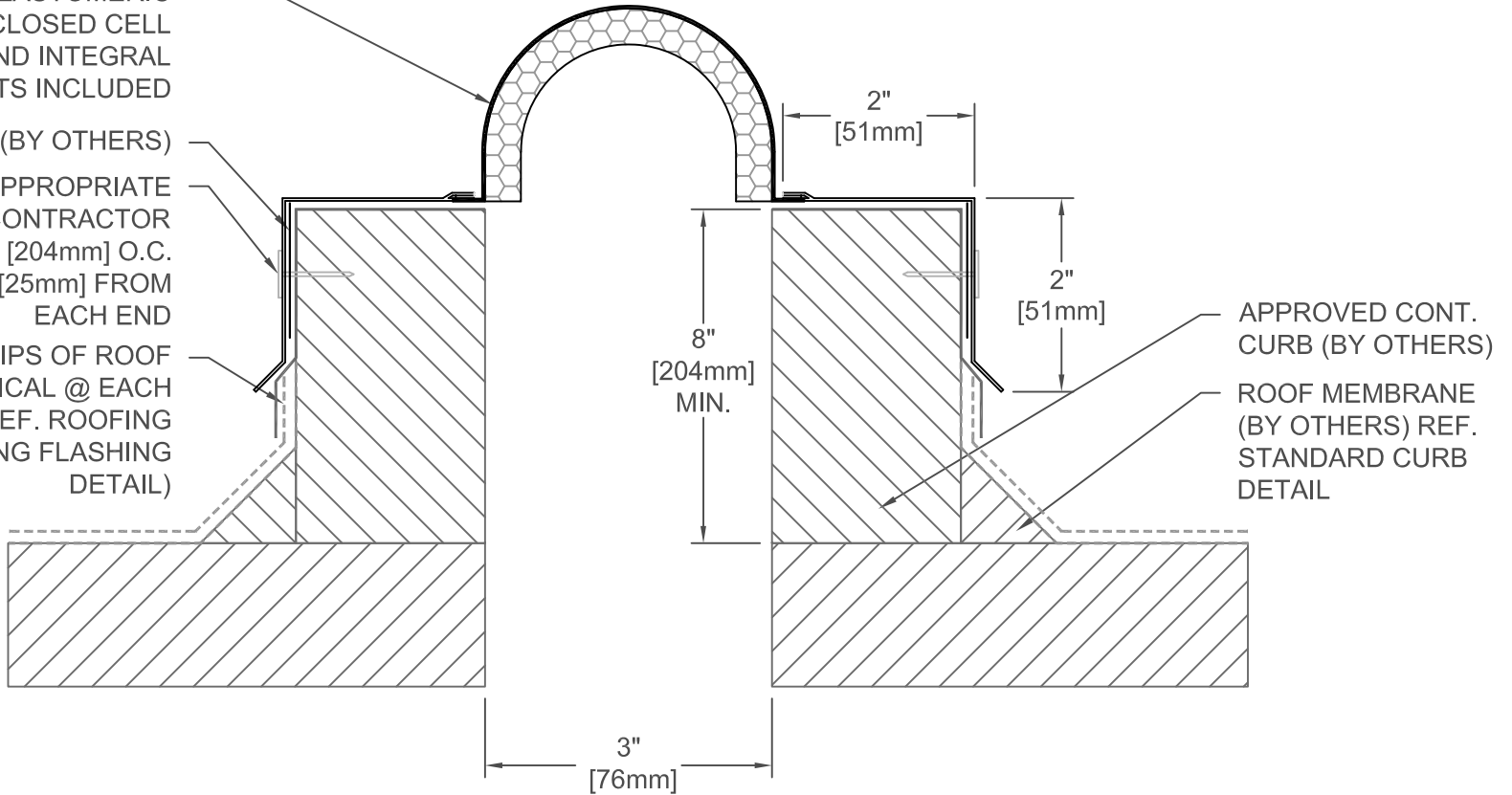


EPDM OR NEOPRENE  
STANDARD ELASTOMERIC  
BELLOWS, CLOSED CELL  
FOAM BACKER AND INTEGRAL  
SPLICING KITS INCLUDED

SEALANT TAPE (BY OTHERS)

SUBSTRATE APPROPRIATE  
FASTENERS (CONTRACTOR  
FURNISHED) @ 8" [204mm] O.C.  
STARTING 1" [25mm] FROM  
EACH END

FLASHING STRIPS OF ROOF  
MEMBRANE (TYPICAL @ EACH  
FLANGE) (REF. ROOFING  
MANUFACTURING FLASHING  
DETAIL)



APPROVED CONT.  
CURB (BY OTHERS)

ROOF MEMBRANE  
(BY OTHERS) REF.  
STANDARD CURB  
DETAIL

SPECIFY FLANGE FINISH	
GALV. STEEL (G01)	
MILL ALUMINUM (A01)	
EPDM (E01)	
STAINLESS STEEL (S01)	
COPPER (C01)	
<b>STANDARD: G01</b>	
ADDNL. COST APPLY FOR ALT. FLANGE FINISHES AND DIMS	

674-G01-075

JOINT WIDTH		MOVEMENT ±			
		HORIZONTAL		VERTICAL	
US	mm	US	mm	US	mm
3"	75	1 1/2"	38	1 1/2"	38

FINISH: MILL
PROJECT:
CUSTOMER:
LOCATION:

APPLICATION-  
CURB FLANGE ROOF/ROOF CONDITION

DATE:	9-13-05
SCALE:	1:2
DOC:	CADJM.013/R4

**inpro.**

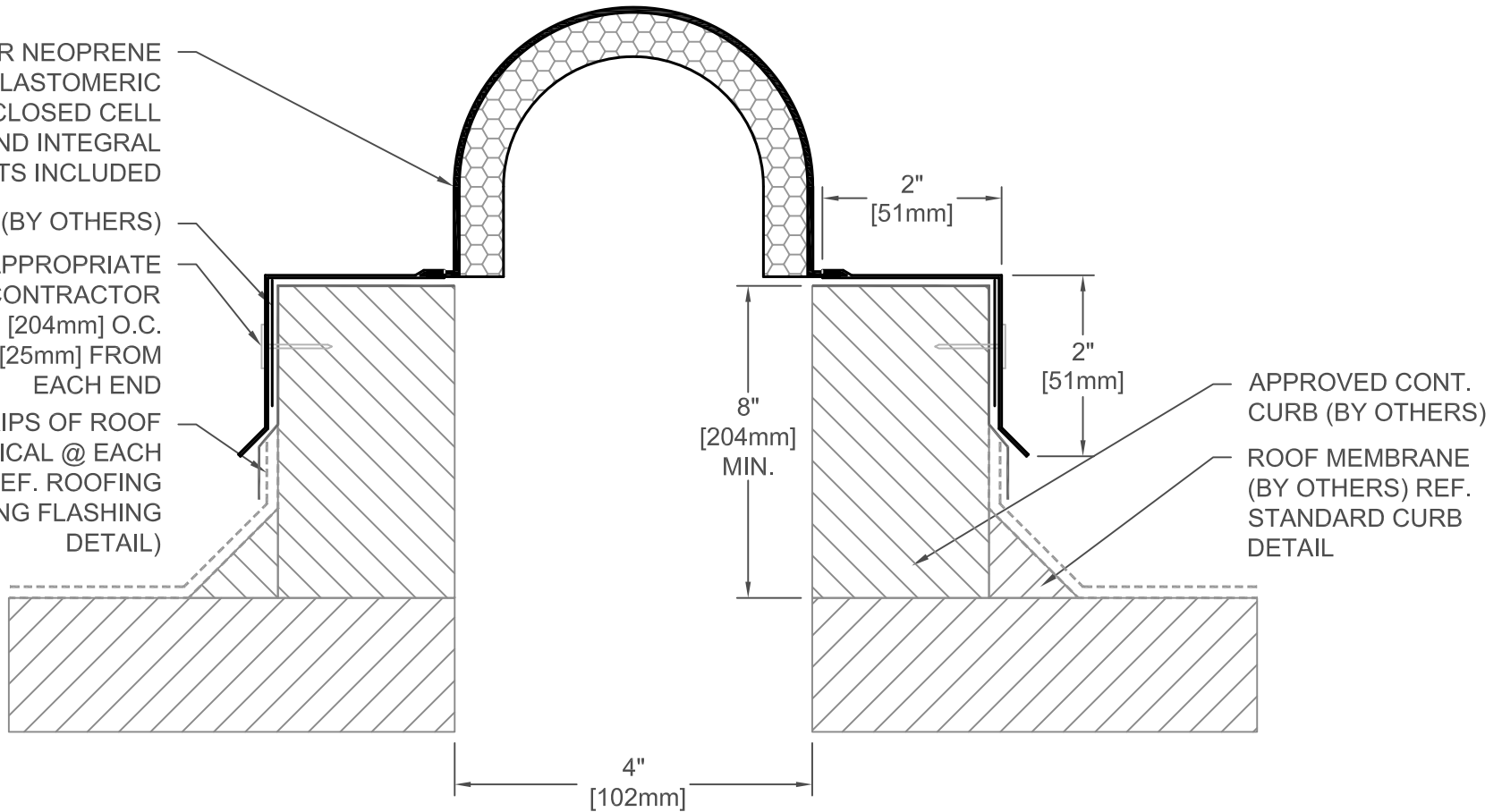
For More Information Visit: [Inprocorp.com](http://Inprocorp.com)

EPDM OR NEOPRENE  
STANDARD ELASTOMERIC  
BELLOWS, CLOSED CELL  
FOAM BACKER AND INTEGRAL  
SPLICING KITS INCLUDED

SEALANT TAPE (BY OTHERS)

SUBSTRATE APPROPRIATE  
FASTENERS (CONTRACTOR  
FURNISHED) @ 8" [204mm] O.C.  
STARTING 1" [25mm] FROM  
EACH END

FLASHING STRIPS OF ROOF  
MEMBRANE (TYPICAL @ EACH  
FLANGE) (REF. ROOFING  
MANUFACTURING FLASHING  
DETAIL)



APPROVED CONT.  
CURB (BY OTHERS)

ROOF MEMBRANE  
(BY OTHERS) REF.  
STANDARD CURB  
DETAIL

SPECIFY FLANGE FINISH	
GALV. STEEL (G01)	
MILL ALUMINUM (A01)	
EPDM (E01)	
STAINLESS STEEL (S01)	
COPPER (C01)	
<b>STANDARD: G01</b>	
ADDNL. COST APPLY FOR ALT. FLANGE FINISHES AND DIMS	

## 674-G01-100

JOINT WIDTH		MOVEMENT ±			
		HORIZONTAL		VERTICAL	
US	mm	US	mm	US	mm
4"	102	2"	51	2"	51

FINISH: MILL
PROJECT:
CUSTOMER:
LOCATION:

APPLICATION-  
CURB FLANGE ROOF/ROOF CONDITION

DATE:	9-13-05
SCALE:	1:2
DOC:	CADJM.013/R4

**inpro.**

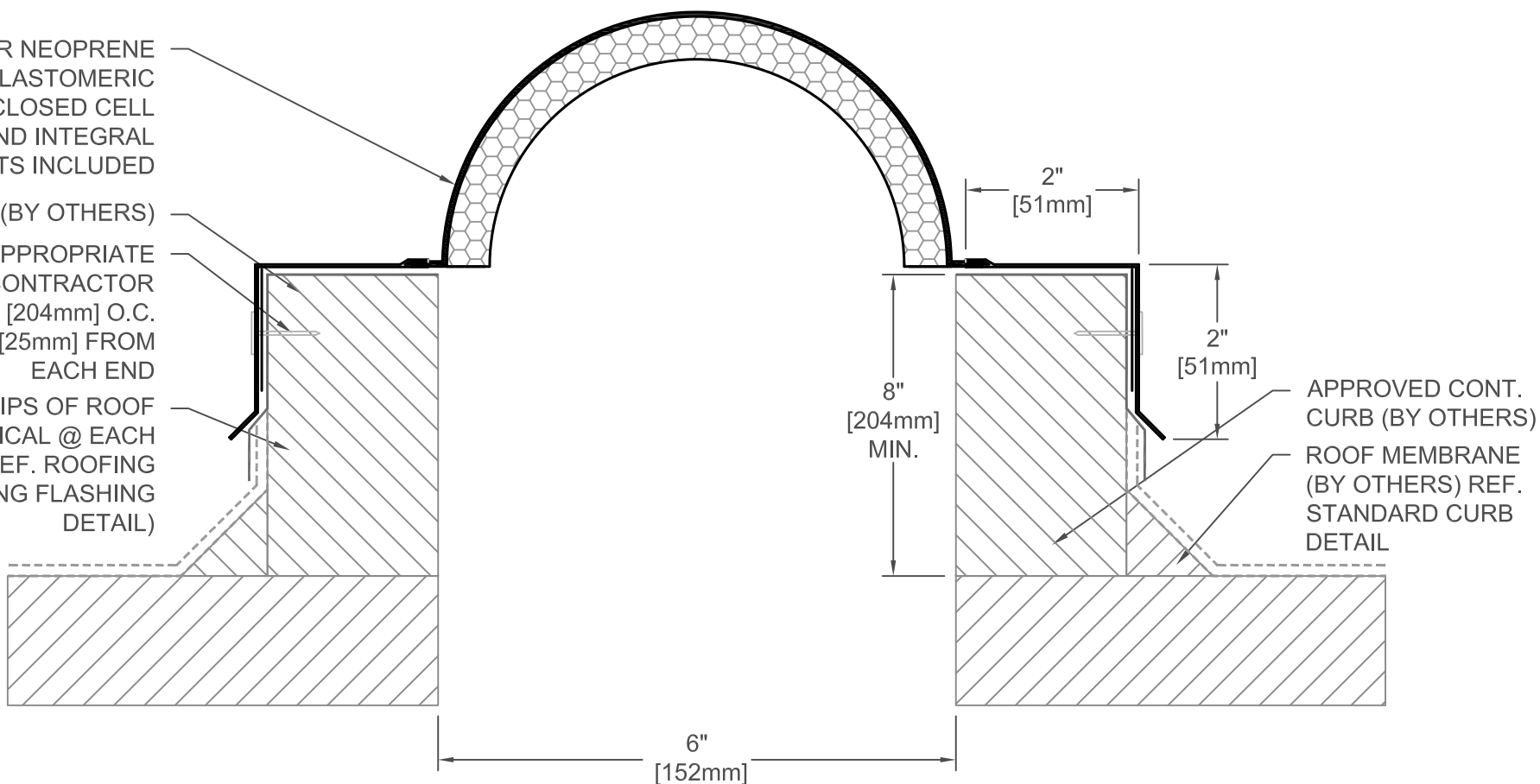
For More Information Visit: [Inprocorp.com](http://Inprocorp.com)

EPDM OR NEOPRENE  
STANDARD ELASTOMERIC  
BELLOWS, CLOSED CELL  
FOAM BACKER AND INTEGRAL  
SPLICING KITS INCLUDED

SEALANT TAPE (BY OTHERS)

SUBSTRATE APPROPRIATE  
FASTENERS (CONTRACTOR  
FURNISHED) @ 8" [204mm] O.C.  
STARTING 1" [25mm] FROM  
EACH END

FLASHING STRIPS OF ROOF  
MEMBRANE (TYPICAL @ EACH  
FLANGE) (REF. ROOFING  
MANUFACTURING FLASHING  
DETAIL)



APPROVED CONT.  
CURB (BY OTHERS)  
ROOF MEMBRANE  
(BY OTHERS) REF.  
STANDARD CURB  
DETAIL

SPECIFY FLANGE FINISH	
GALV. STEEL (G01)	
MILL ALUMINUM (A01)	
EPDM (E01)	
STAINLESS STEEL (S01)	
COPPER (C01)	
<b>STANDARD: G01</b>	
ADDNL. COST APPLY FOR ALT. FLANGE FINISHES AND DIMS	

## 674-G01-150

JOINT WIDTH		MOVEMENT ±			
		HORIZONTAL		VERTICAL	
US	mm	US	mm	US	mm
6"	150	3"	76	3"	76

FINISH: MILL
PROJECT:
CUSTOMER:
LOCATION:

APPLICATION-  
CURB FLANGE ROOF/ROOF CONDITION

DATE:	9-13-05
SCALE:	1:2
DOC:	CADJM.013/R4

**inpro.**

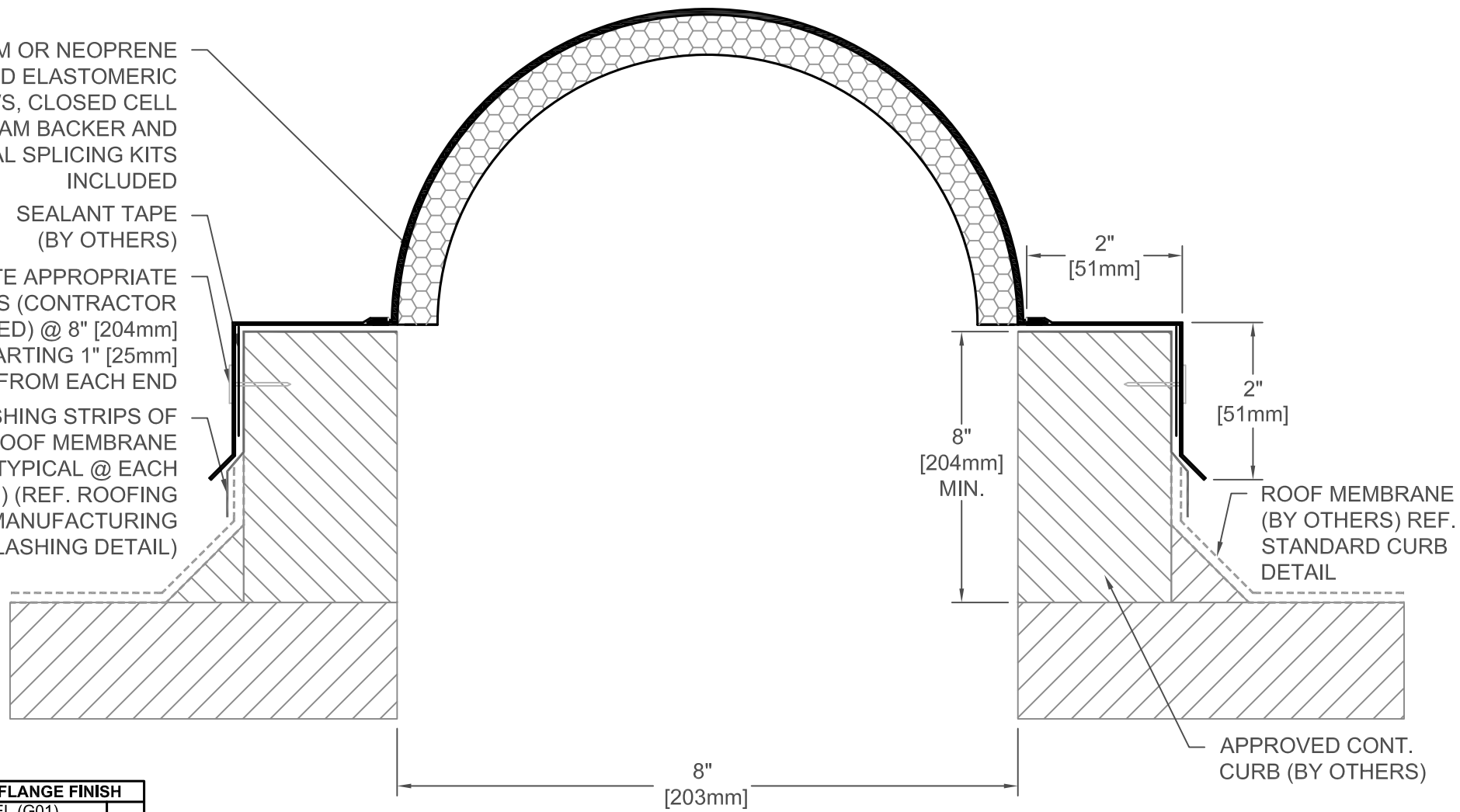
For More Information Visit: [Inprocorp.com](http://Inprocorp.com)

EPDM OR NEOPRENE  
STANDARD ELASTOMERIC  
BELLOWS, CLOSED CELL  
FOAM BACKER AND  
INTEGRAL SPLICING KITS  
INCLUDED

SEALANT TAPE  
(BY OTHERS)

SUBSTRATE APPROPRIATE  
FASTENERS (CONTRACTOR  
FURNISHED) @ 8" [204mm]  
O.C. STARTING 1" [25mm]  
FROM EACH END

FLASHING STRIPS OF  
ROOF MEMBRANE  
(TYPICAL @ EACH  
FLANGE) (REF. ROOFING  
MANUFACTURING  
FLASHING DETAIL)



SPECIFY FLANGE FINISH	
GALV. STEEL (G01)	
MILL ALUMINUM (A01)	
EPDM (E01)	
STAINLESS STEEL (S01)	
COPPER (C01)	
<b>STANDARD: G01</b>	
ADDNL. COST APPLY FOR ALT. FLANGE FINISHES AND DIMS	

## 674-G01-200

JOINT WIDTH		MOVEMENT ±			
		HORIZONTAL		VERTICAL	
US	mm	US	mm	US	mm
8"	203	4"	102	4"	102

FINISH: MILL
PROJECT:
CUSTOMER:
LOCATION:

APPLICATION-  
CURB FLANGE ROOF/ROOF CONDITION

DATE:	9-13-05
SCALE:	1:2
DOC:	CADJM.013/R4

